

[54] CONCRETE OUTDOOR COOKING GRILL

[76] Inventor: James E. Miller, 655 Ridgedale, Birmingham, Mich. 48008

[**] Term: 14 Years

[21] Appl. No.: 113,368

[22] Filed: Jan. 18, 1980

[51] Int. Cl. D07-02

[52] U.S. Cl. D7/107

[58] Field of Search D7/107, 108, 109, 110; 126/25 R, 25 A, 25 AA, 25 B, 25 C, 29, 30

[56] References Cited

U.S. PATENT DOCUMENTS

D. 222,569 11/1971 Ford D7/107

Primary Examiner—Catherine E. Kemper
Attorney, Agent, or Firm—Cullen, Sloman, Cantor, Grauer, Scott & Rutherford

[57] CLAIM

The ornamental design for a concrete outdoor cooking grill, as shown.

DESCRIPTION

FIG. 1 is a top, plan view showing my new design of a concrete outdoor cooking grill.

FIG. 2 is a left side elevational view thereof.

FIG. 3 is a front elevational view thereof.

FIG. 4 is a right side elevational view thereof.

FIG. 5 is a rear elevational view thereof.

FIG. 6 is a front, right side perspective view thereof.

FIG. 7 is a front, left side perspective view thereof.

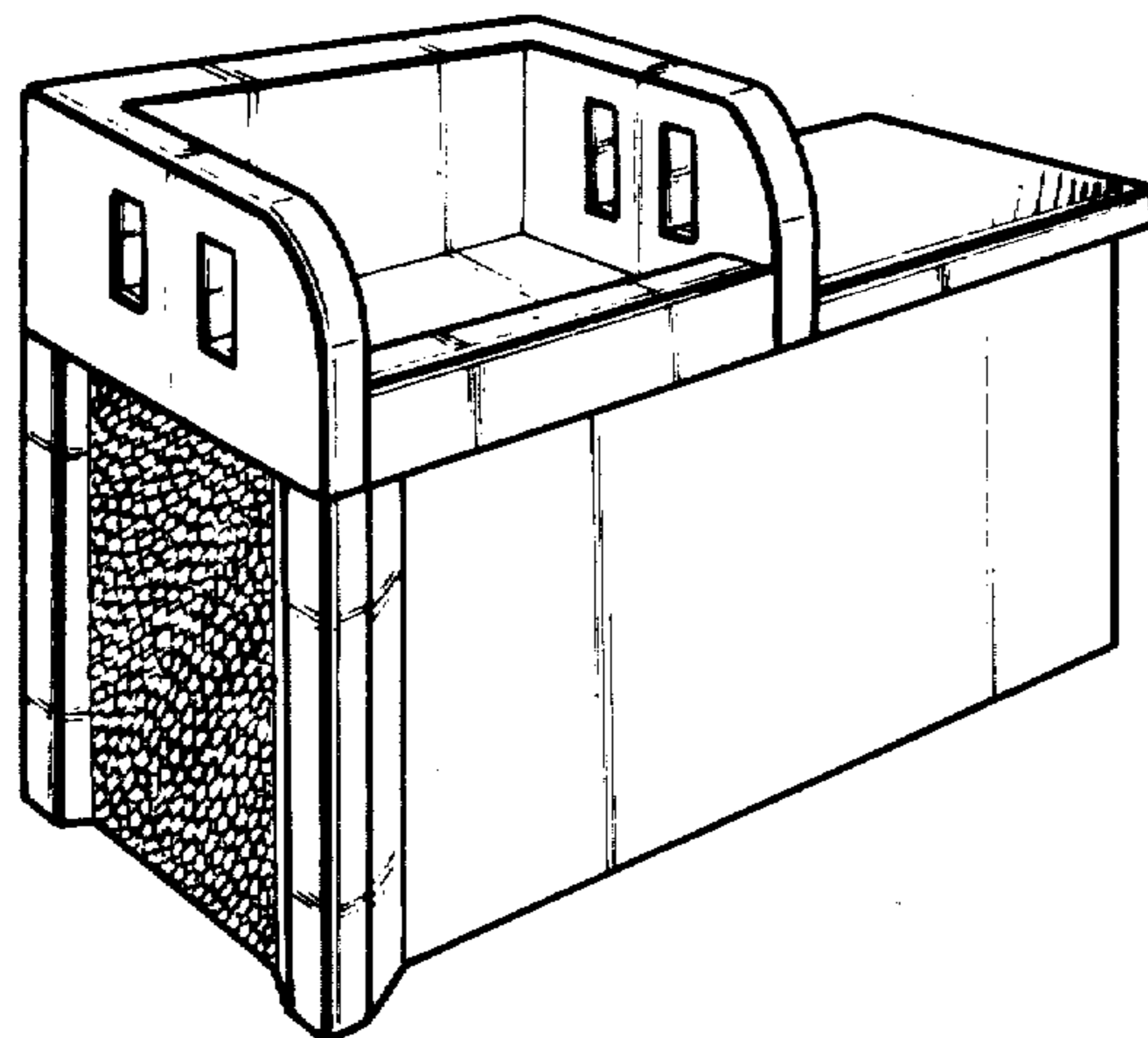


FIG. 1

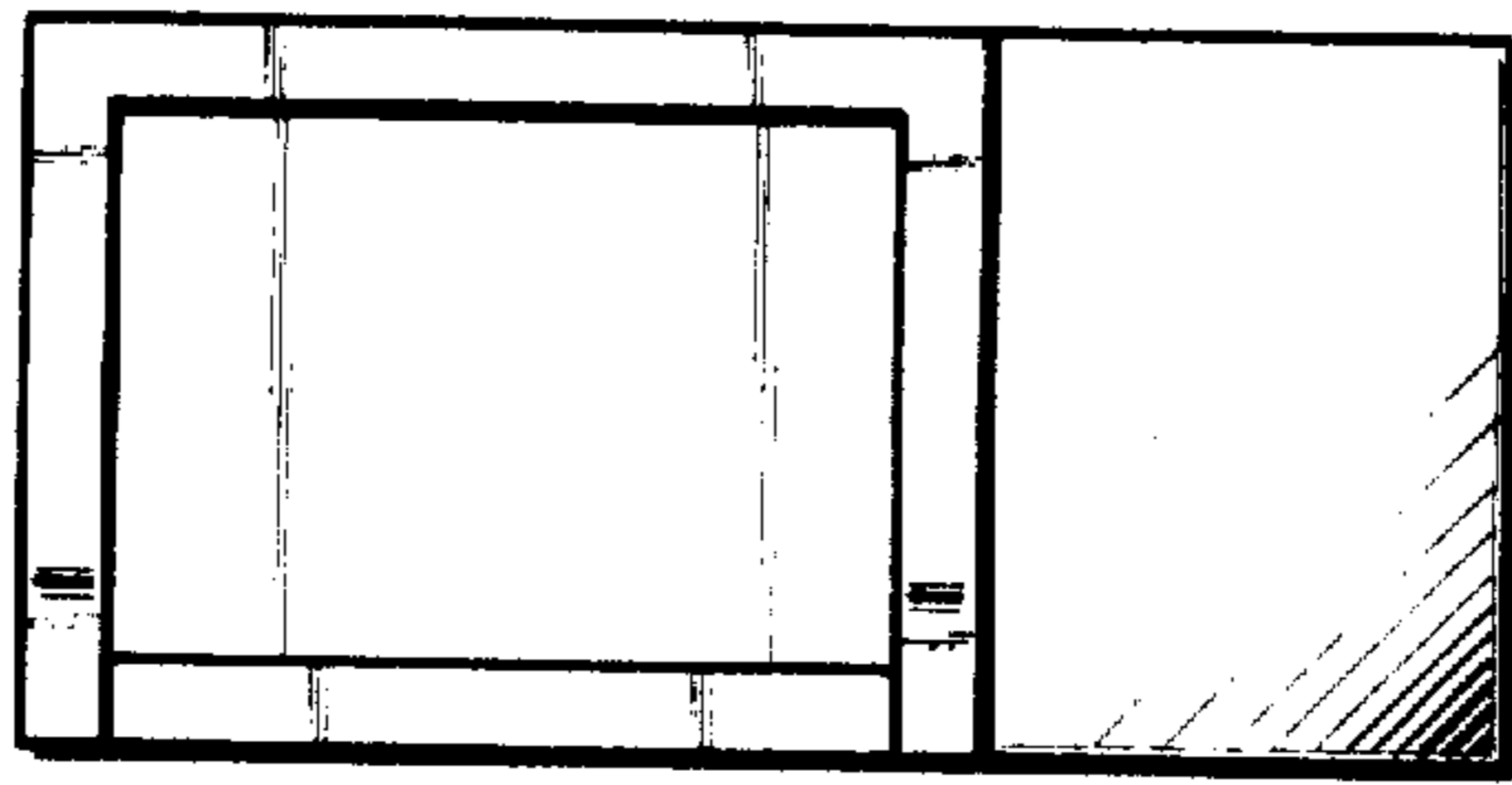


FIG. 2

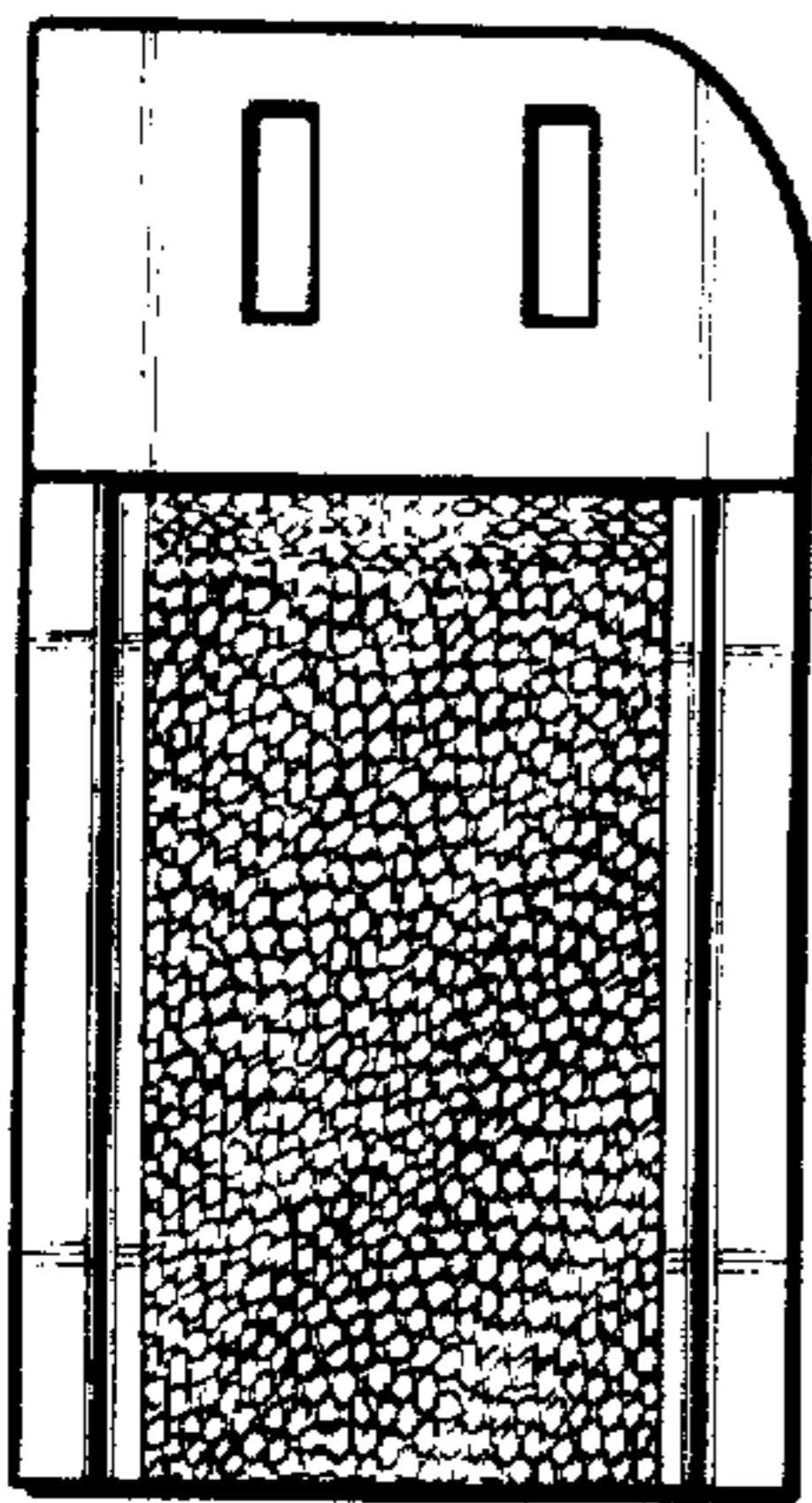


FIG. 4

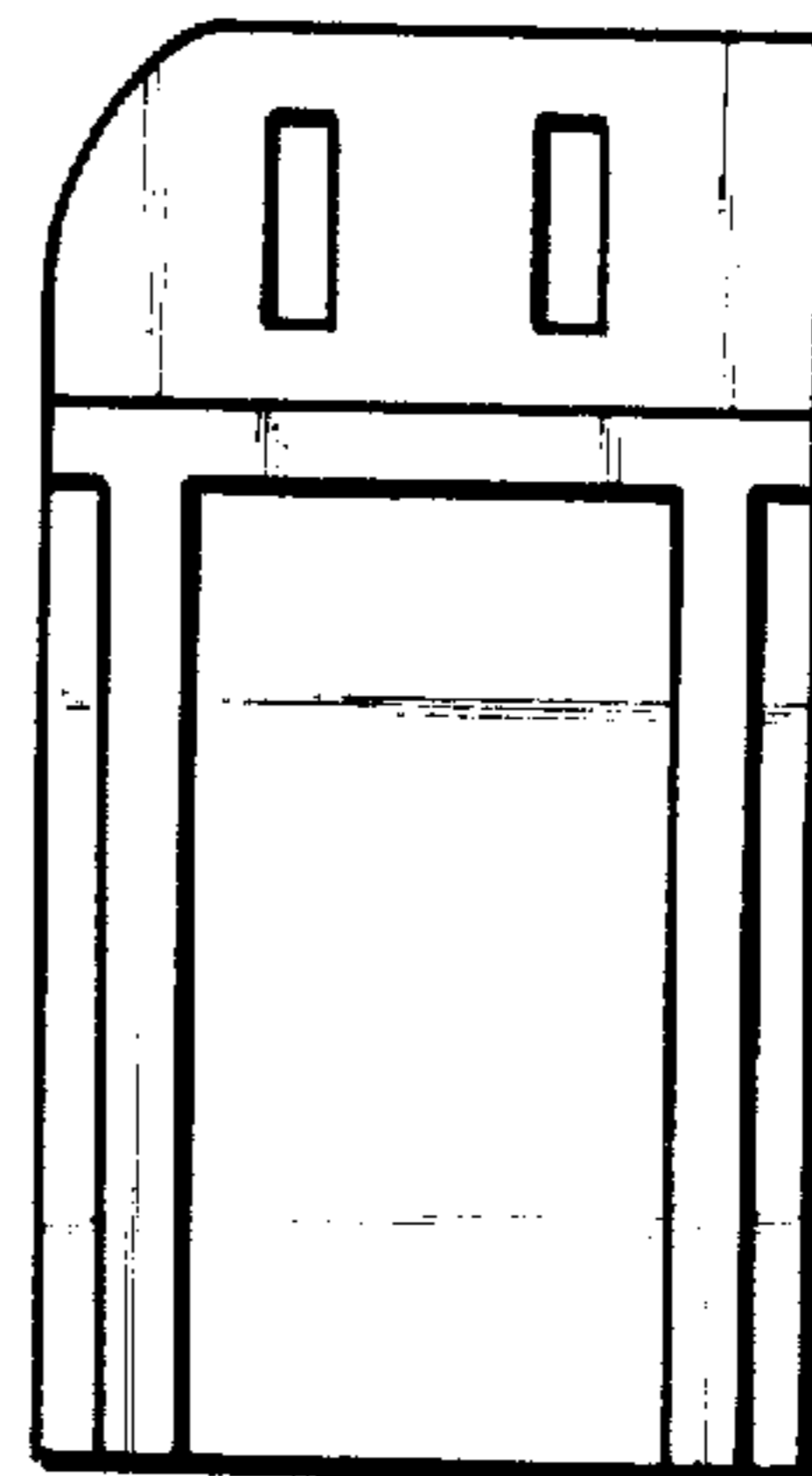
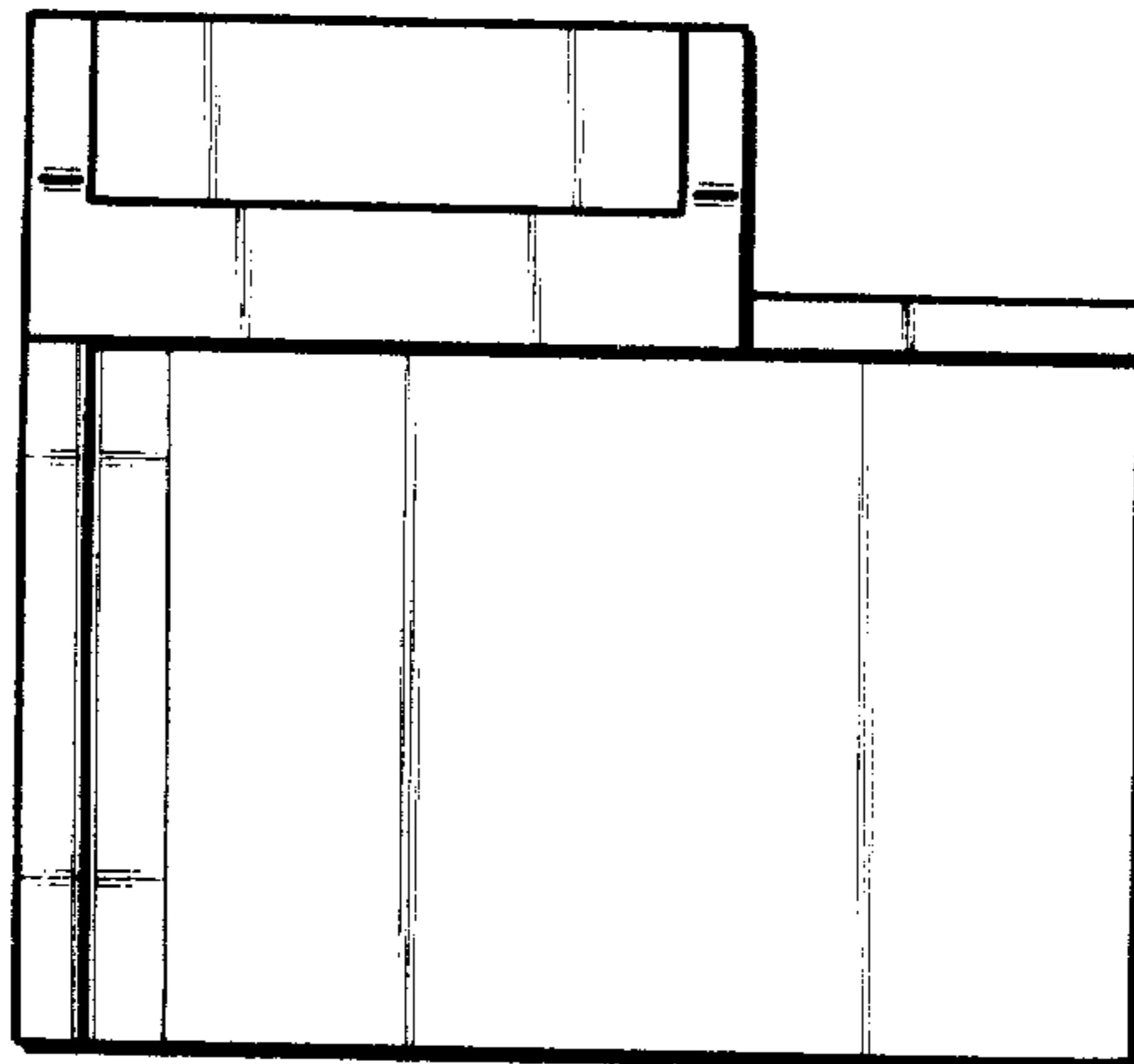


FIG. 3

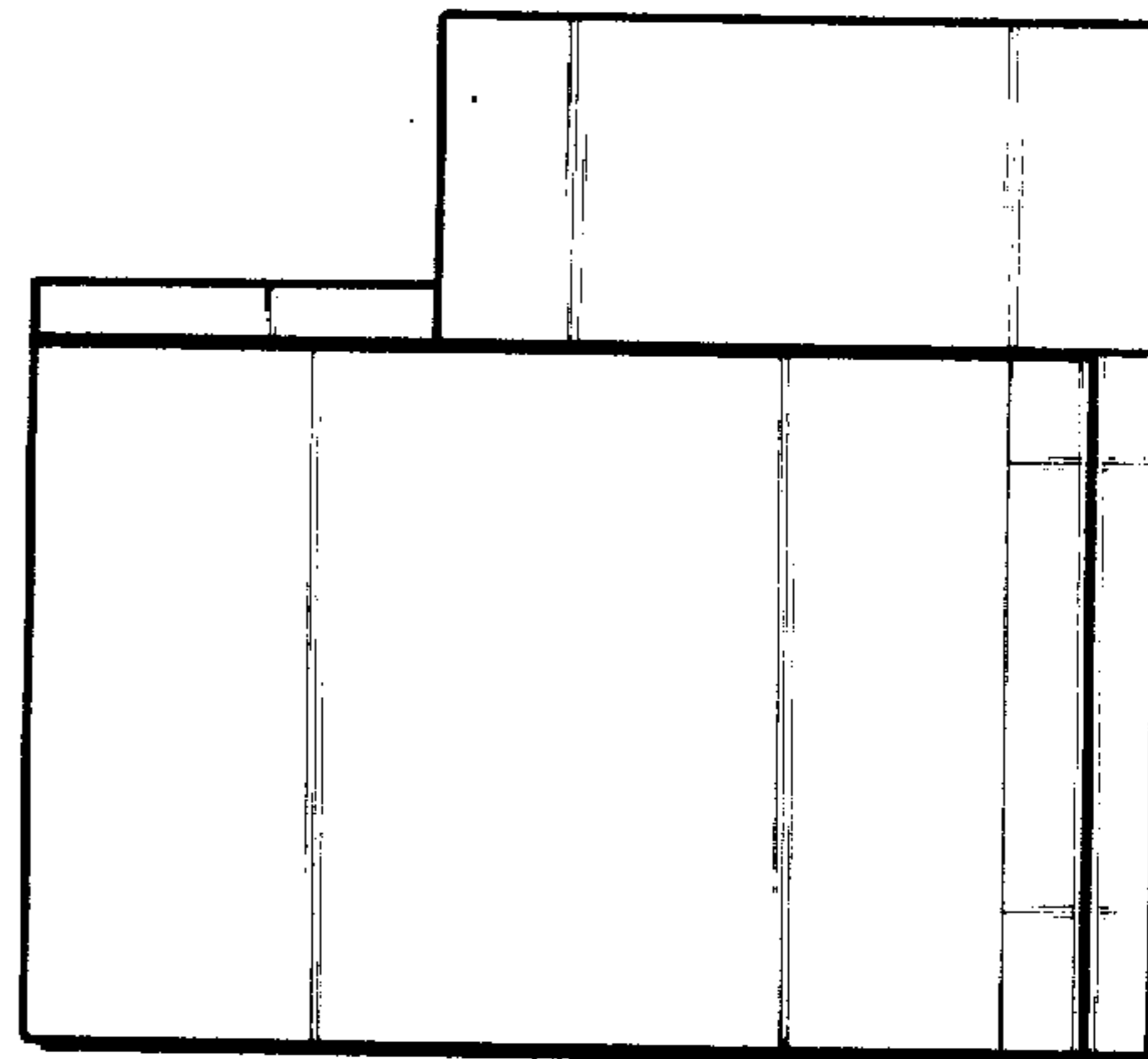
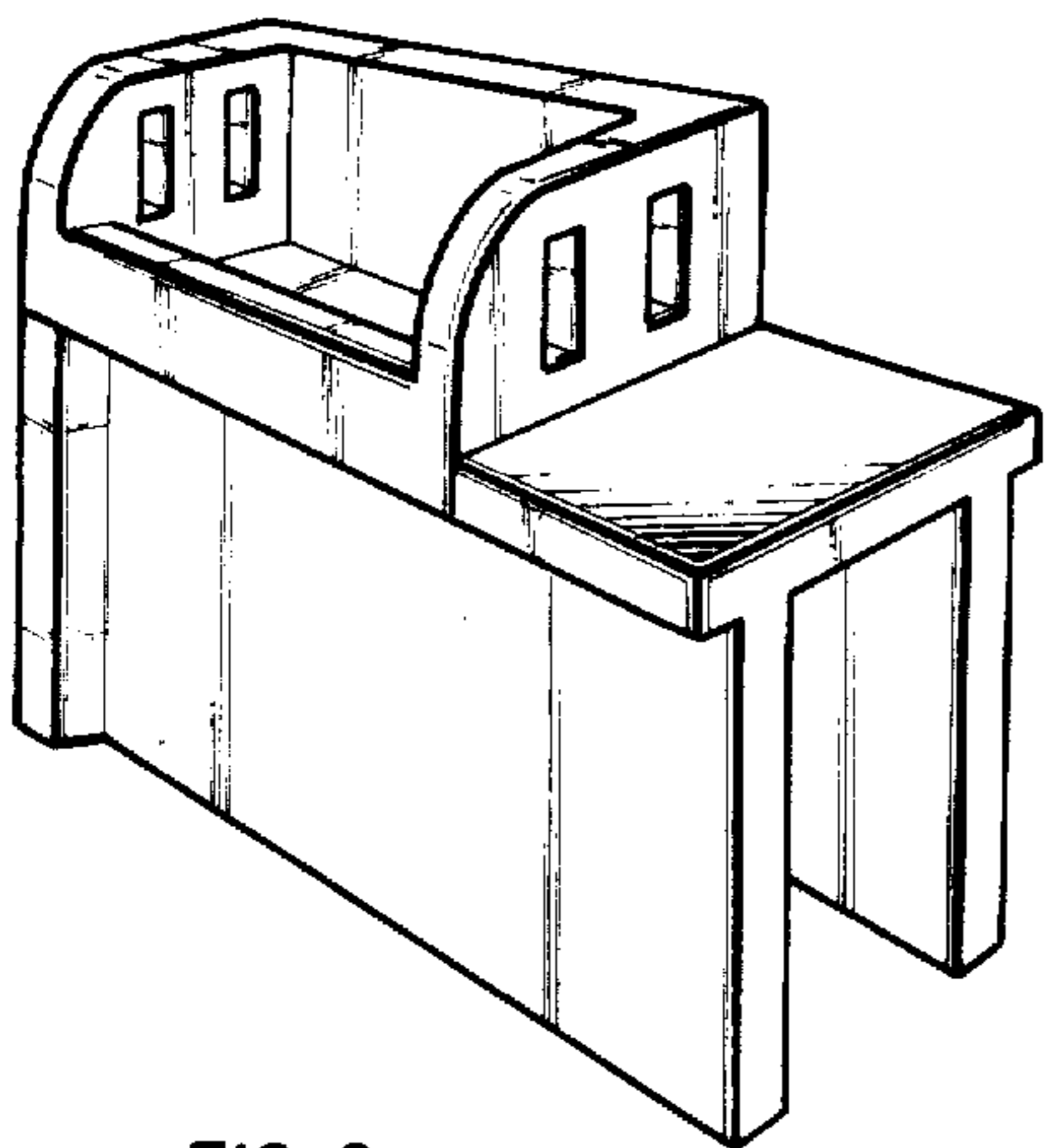


FIG. 6

FIG. 5

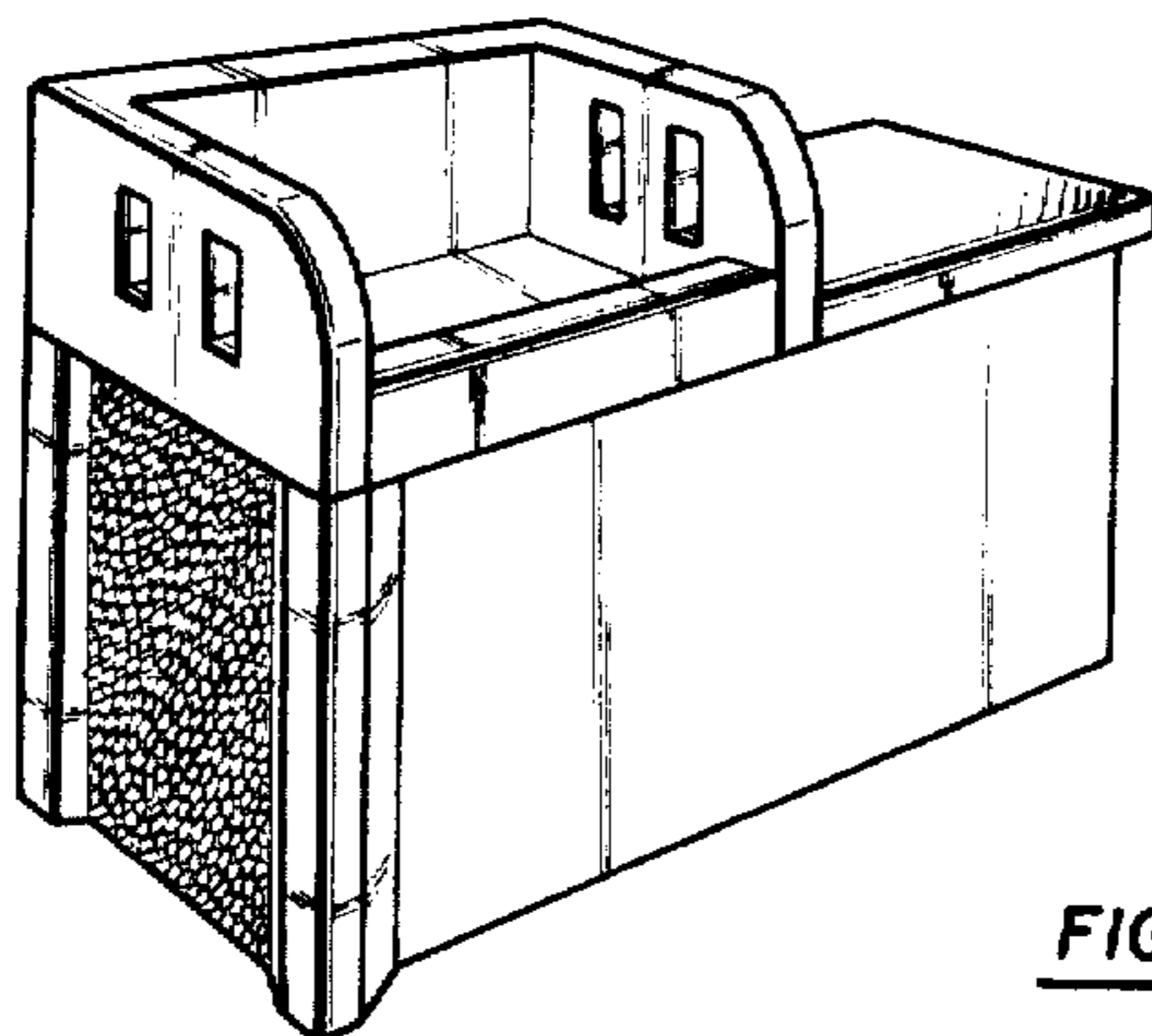


FIG. 7