

[54] DECANTING CRADLE FOR A WINE BOTTLE OR THE LIKE

[76] Inventor: Derek J. Petley, 19 Chapel Ave., Addlestone, Surrey, England

[\*\*] Term: 14 Years

[21] Appl. No.: 135,572

[22] Filed: Mar. 31, 1980

[30] Foreign Application Priority Data

Dec. 10, 1979 [GB] United Kingdom ..... 992754/79

[51] Int. Cl. .... D07-06

[52] U.S. Cl. .... D7/70

[58] Field of Search ..... D7/70, 46, 130, 41; 248/138, 141; 108/7

[56] References Cited

U.S. PATENT DOCUMENTS

D. 102,904	1/1937	Karsh	.....	D7/70 X
D. 257,935	1/1981	Allan	.....	D7/70
370,607	9/1887	Chandler	.....	248/141
2,745,616	5/1956	Gomes	.....	D7/70 X

Primary Examiner—Winifred E. Herrmann  
Attorney, Agent, or Firm—Sughrue, Mion, Zinn, Macpeak and Seas

[57] CLAIM

The ornamental design for a decanting cradle for a wine bottle or the like, as shown and described.

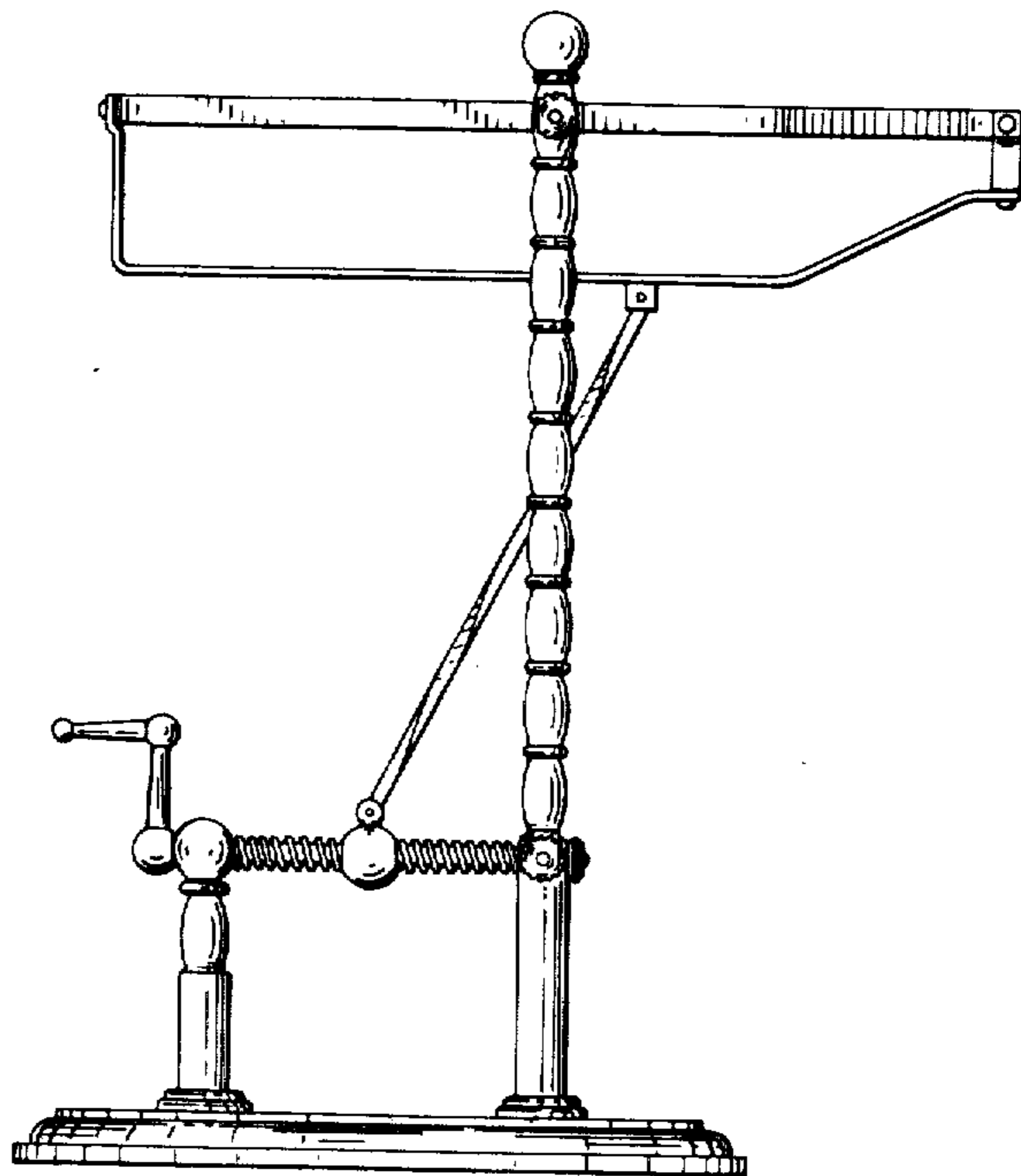
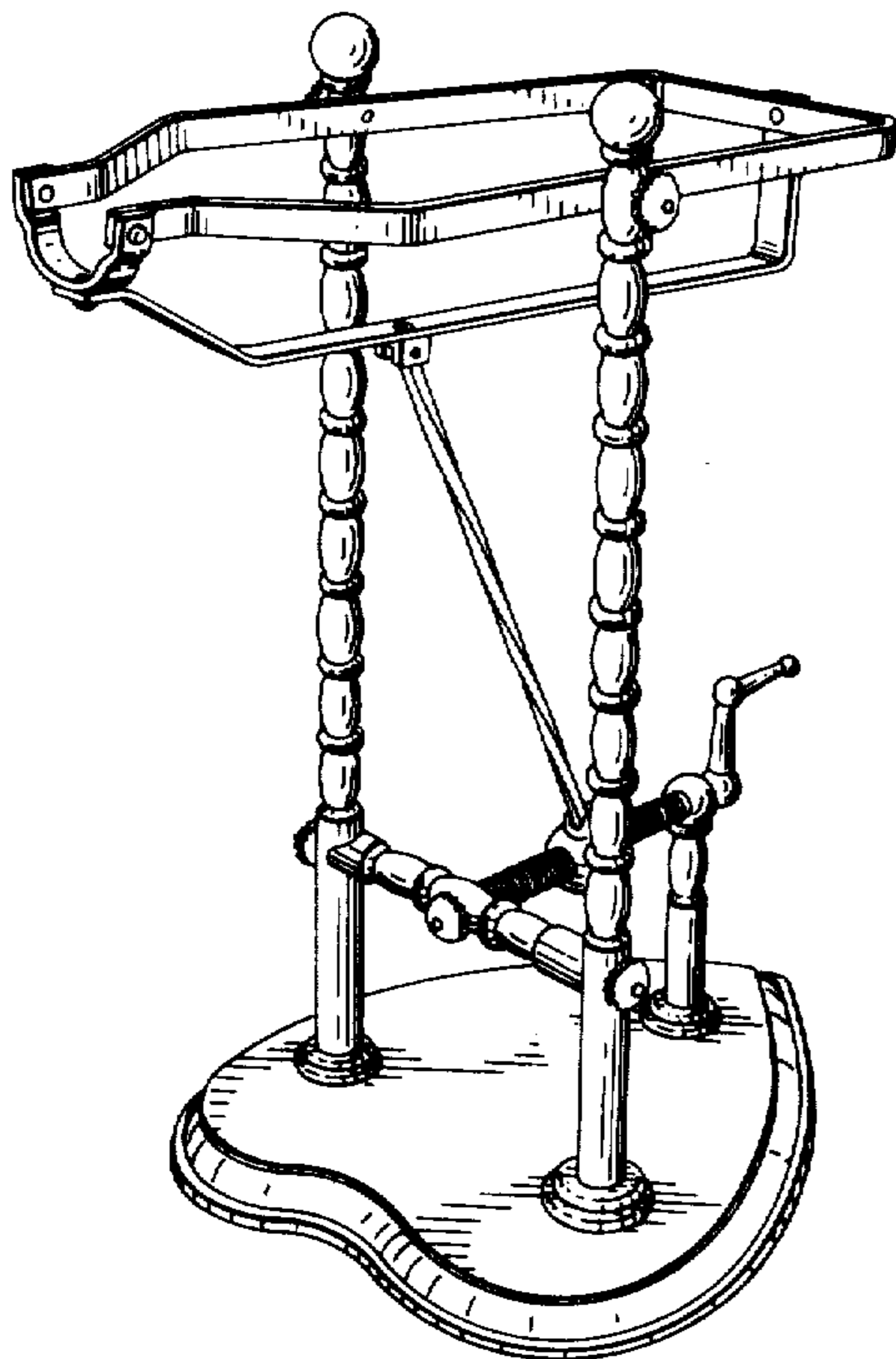
DESCRIPTION

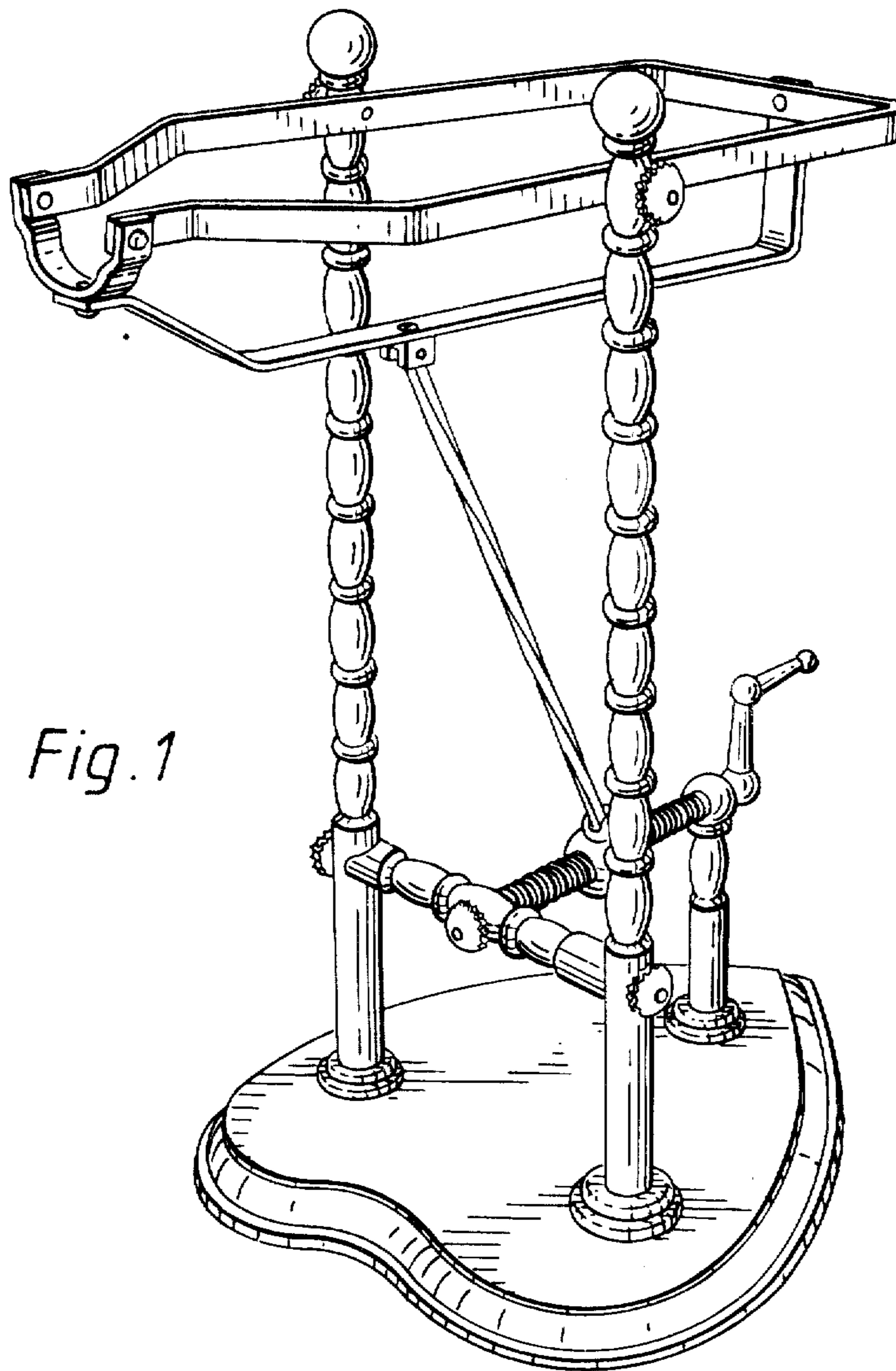
FIG. 1 is a top front perspective view of a decanting cradle for a wine bottle or the like showing the right side of my new design;

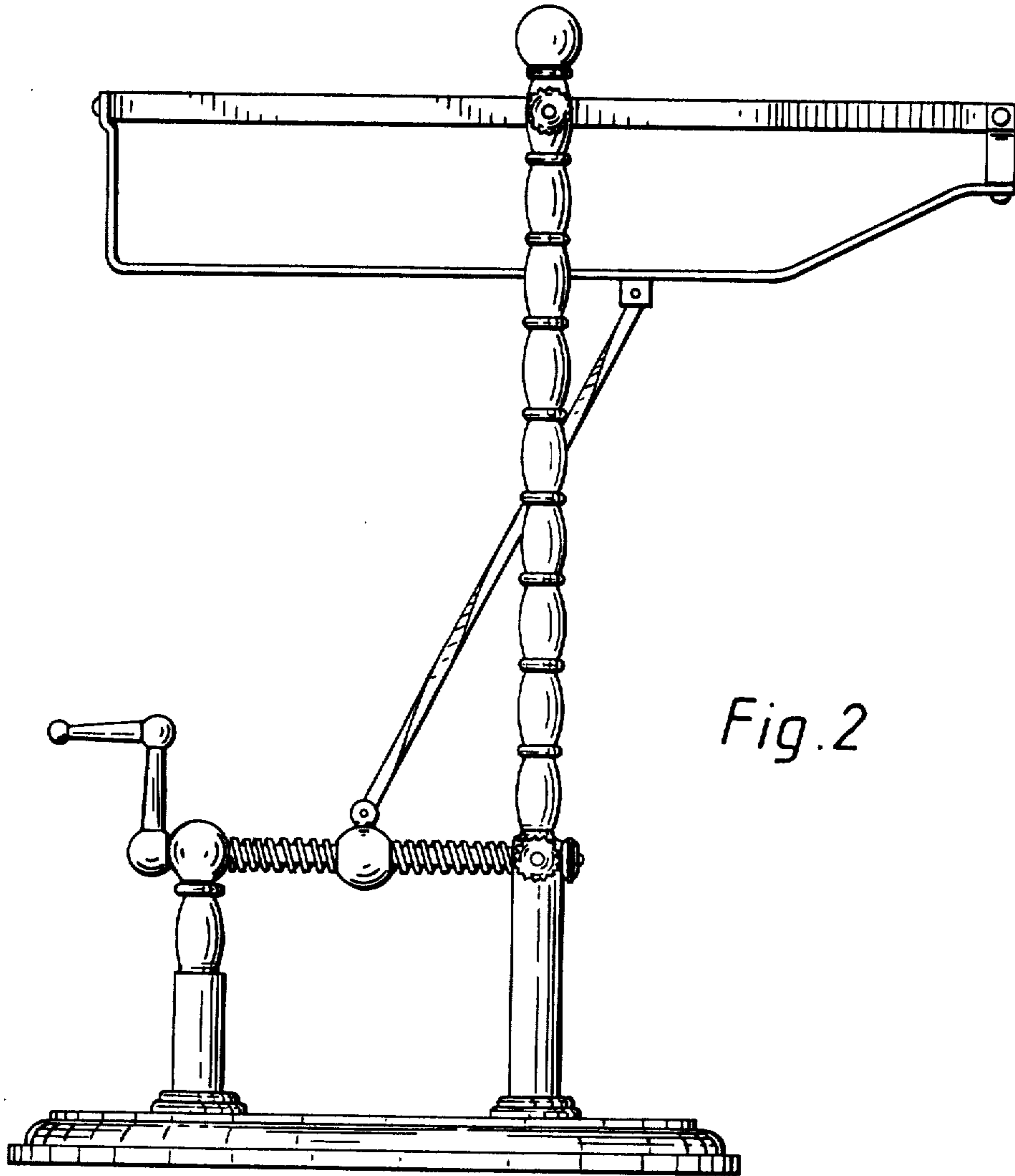
FIG. 2 is a left side elevational view thereof; and

FIG. 3 is a rear elevational view thereof.

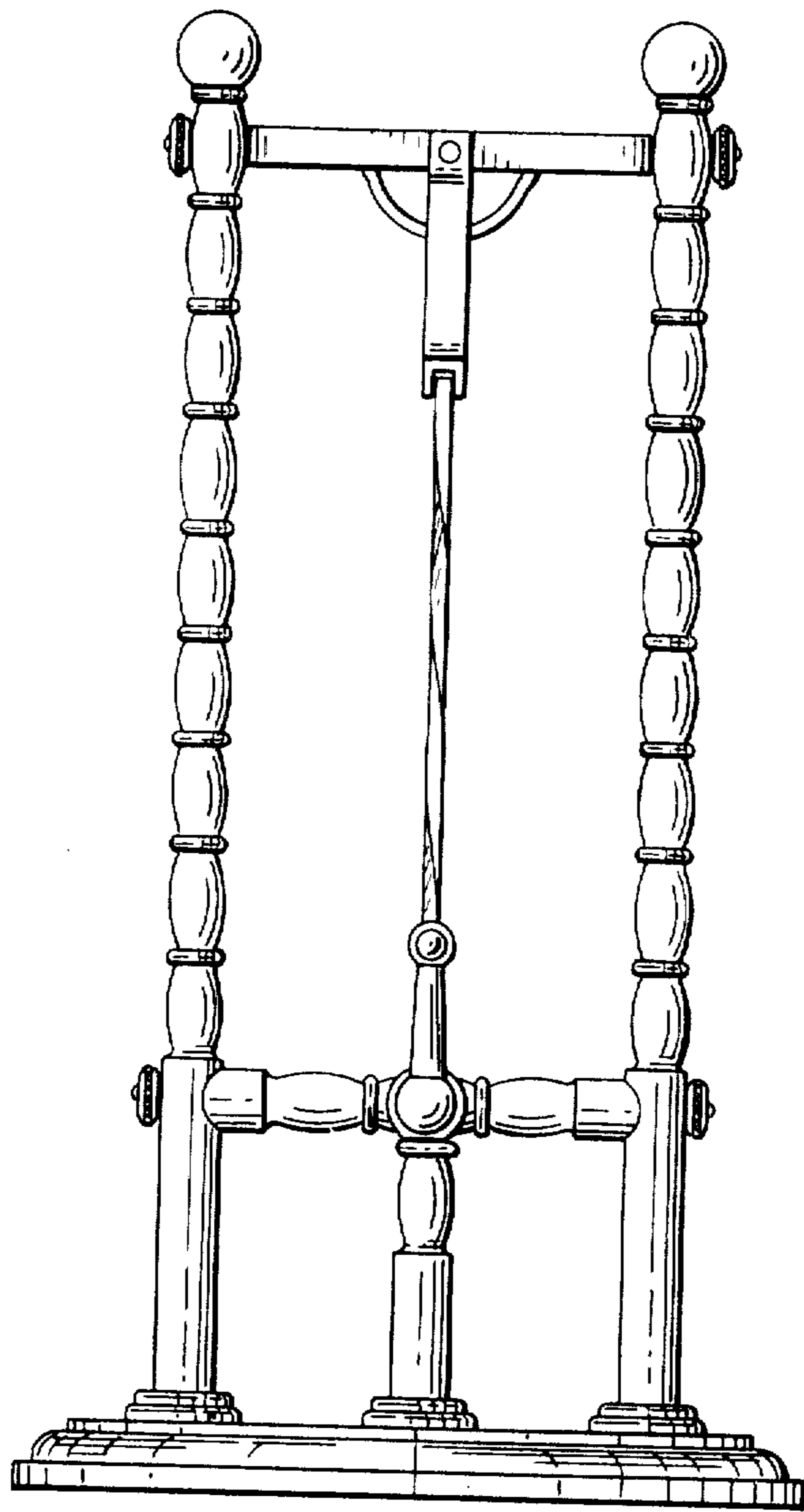
The bottom is planar and unornamented.







*Fig. 2*



*Fig. 3*