

[54] **DRILL DISPLAY HOLDER**
 [76] Inventor: **Thomas R. Rankin**, 20374 Westover Ave., Rocky River, Ohio 44116
 [**] Term: **7 Years**
 [21] Appl. No.: **39,804**
 [22] Filed: **May 17, 1979**
 [51] Int. Cl. **D20-02**
 [52] U.S. Cl. **D6/127; D6/114; D6/146; D6/157; D6/188**
 [58] Field of Search **D6/85, 114, 127, 146, D6/157, 167, 172, 186, 188; 206/214, 369, 370, 372, 377-379; 211/60 R, 60 T, 69, 87, 88, 89, 49 R, 49 D; 312/73, 97.1**

2,215,850 9/1940 Holdeman 211/49 D
 2,478,621 8/1949 Attula 312/97.1
 2,771,182 11/1956 Messmer 312/73
 2,919,796 1/1960 Pressl 206/379
 3,615,004 10/1971 Wescott 206/379

Primary Examiner—B. J. Bullock
Attorney, Agent, or Firm—Baldwin, Egan, Walling & Fetzer

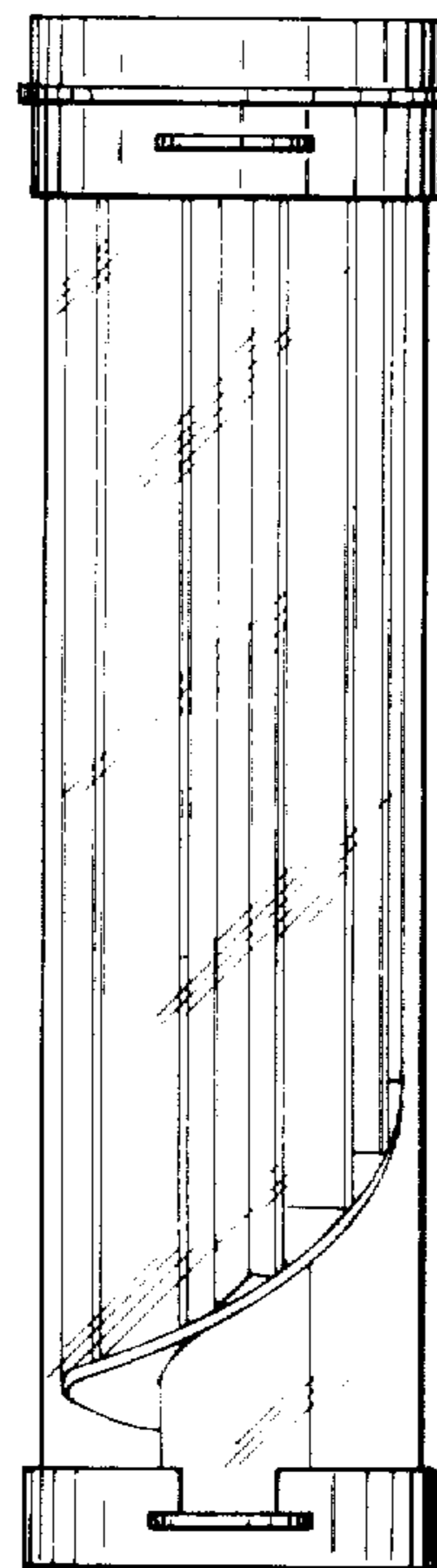
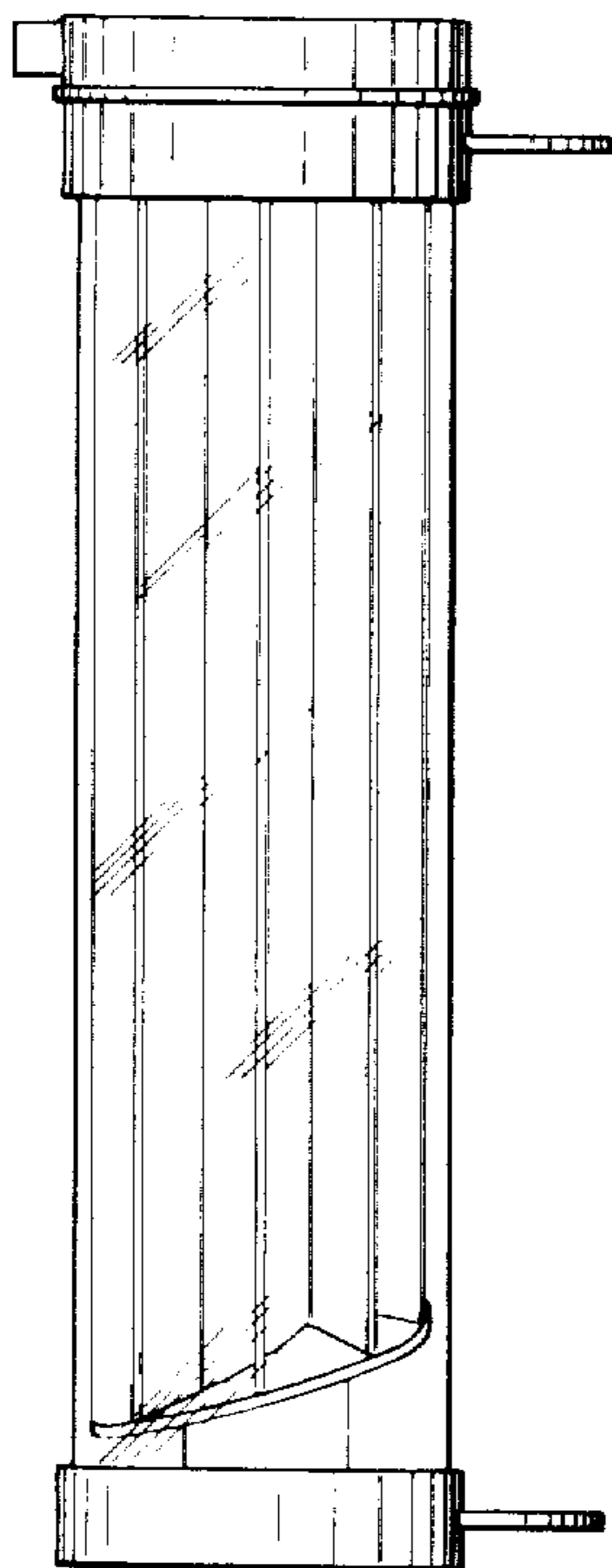
[57] **CLAIM**

The ornamental design for a drill display holder, substantially as shown.

DESCRIPTION

FIG. 1 is a front elevational view of a drill display holder embodying my new design;
 FIG. 2 is a side elevational view taken from the right of FIG. 1;
 FIG. 3 is a side elevational view taken from the left of FIG. 1;
 FIG. 4 is a top view thereof; and
 FIG. 5 is a bottom view thereof.

[56] **References Cited**
U.S. PATENT DOCUMENTS
 702,904 6/1902 Abraham 206/379
 816,959 4/1906 Briganti 211/60 R
 1,729,287 9/1929 Giltner 312/97.1



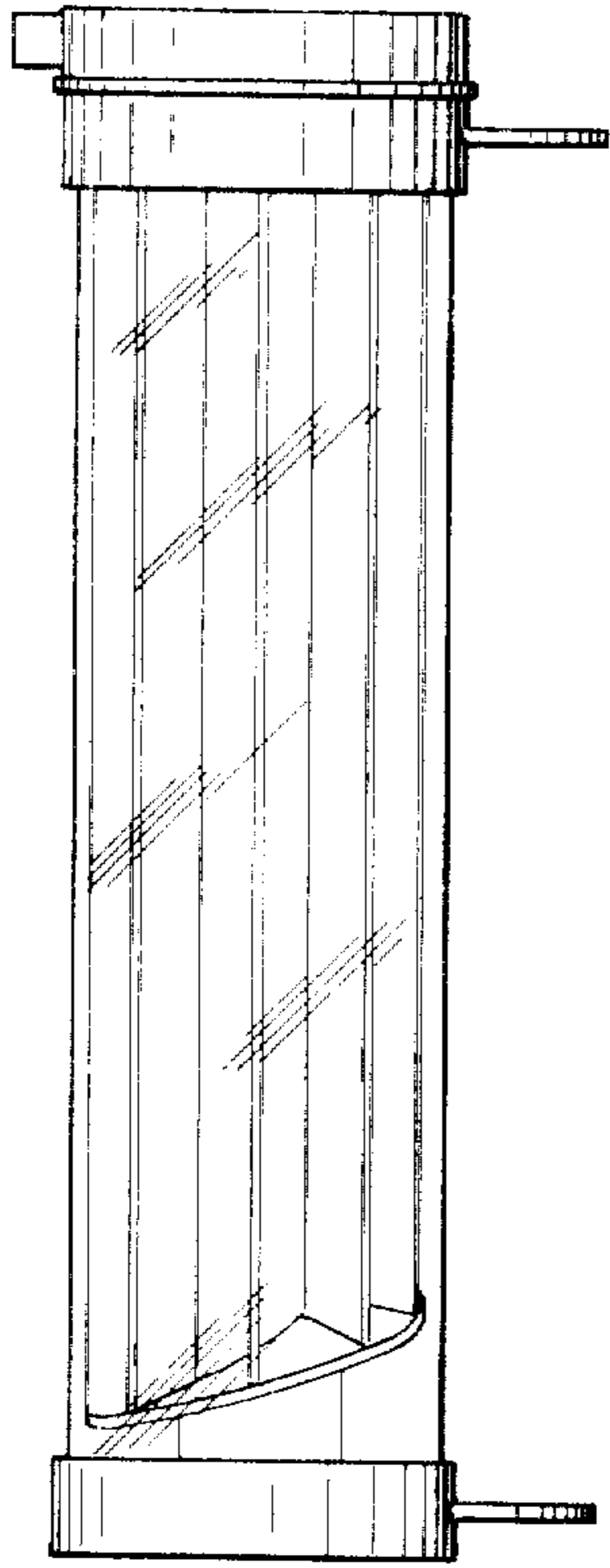


Fig. 1

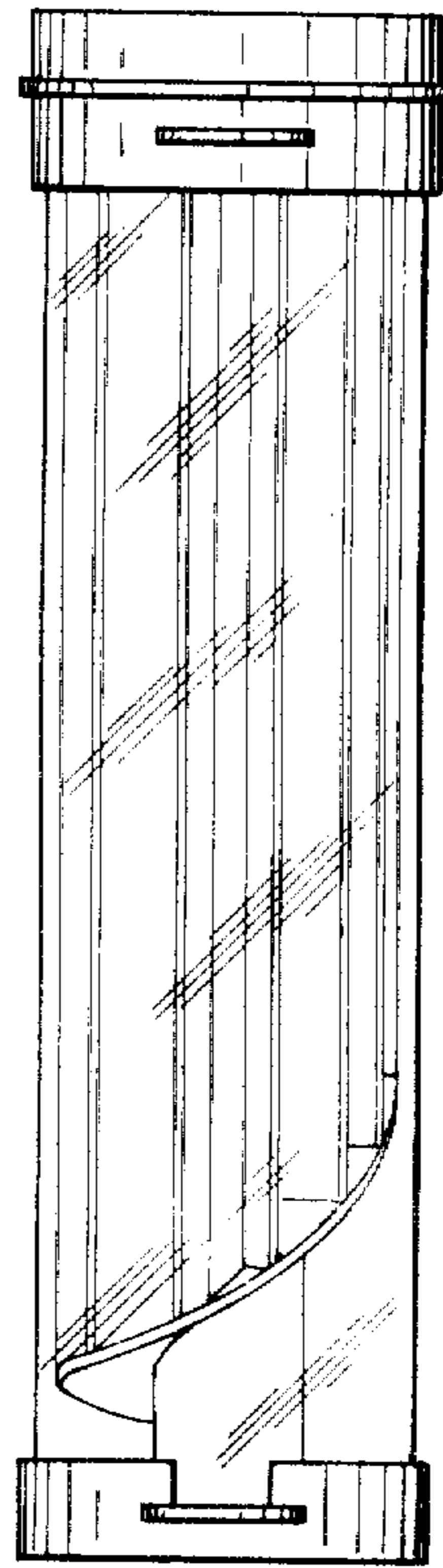


Fig. 2

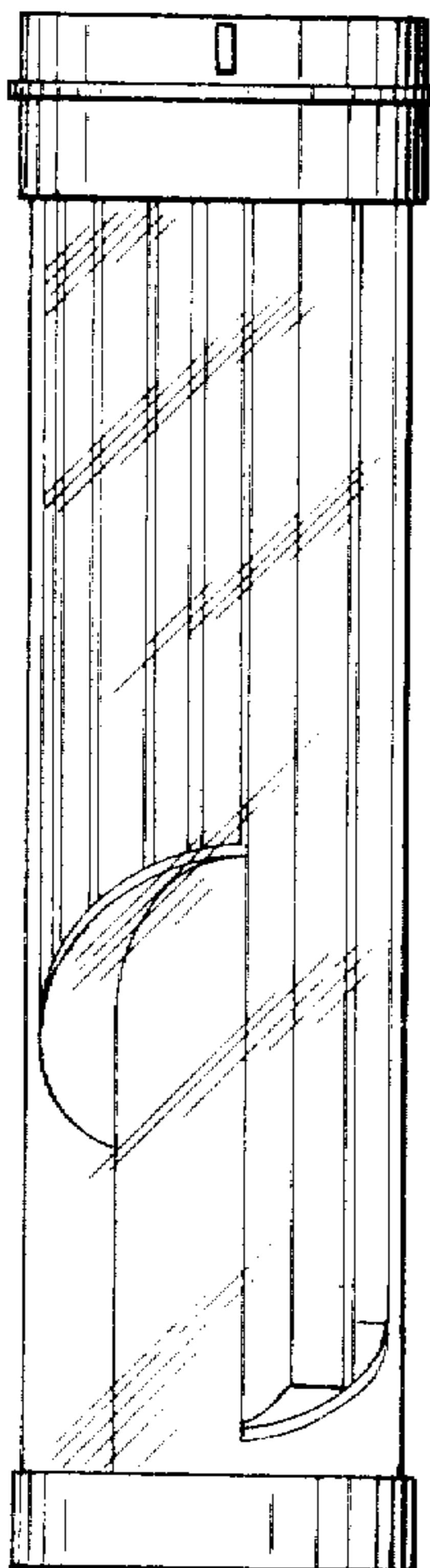


Fig. 3

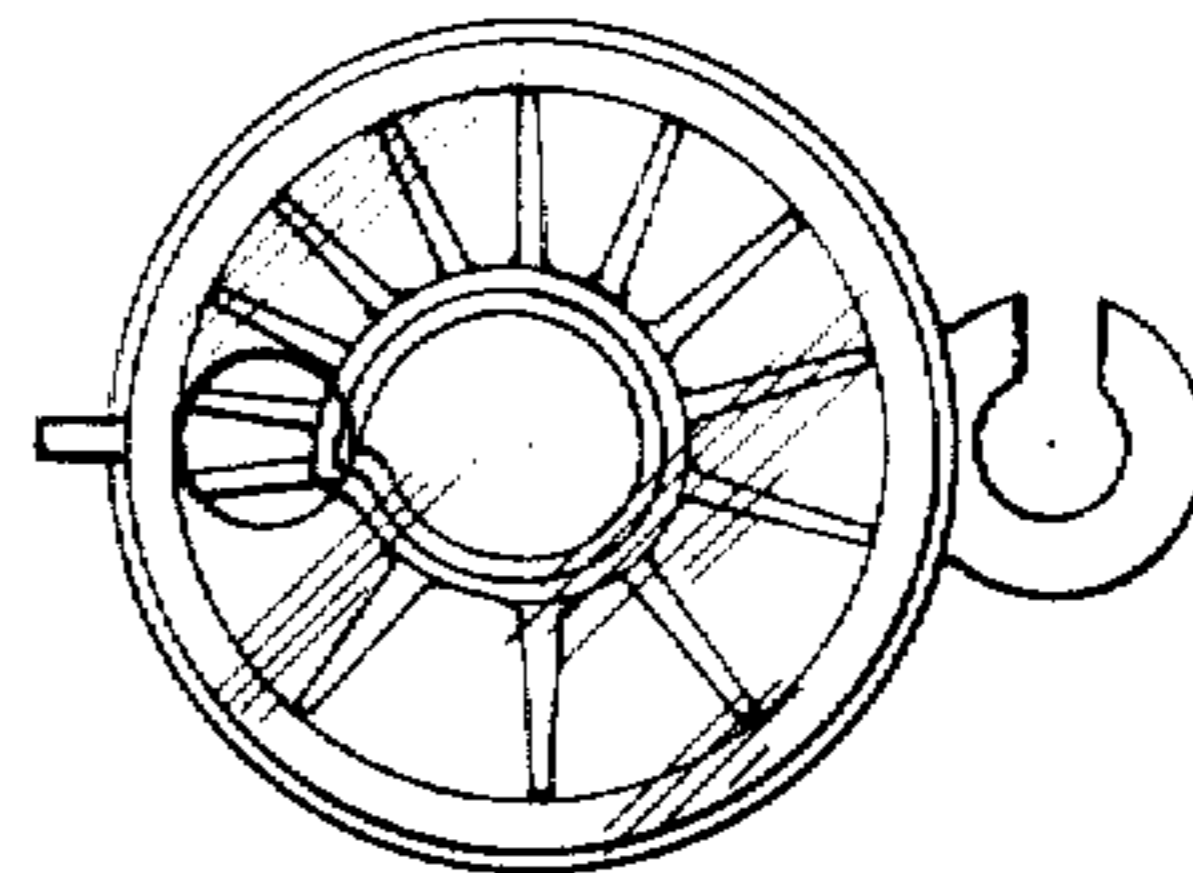


Fig. 4

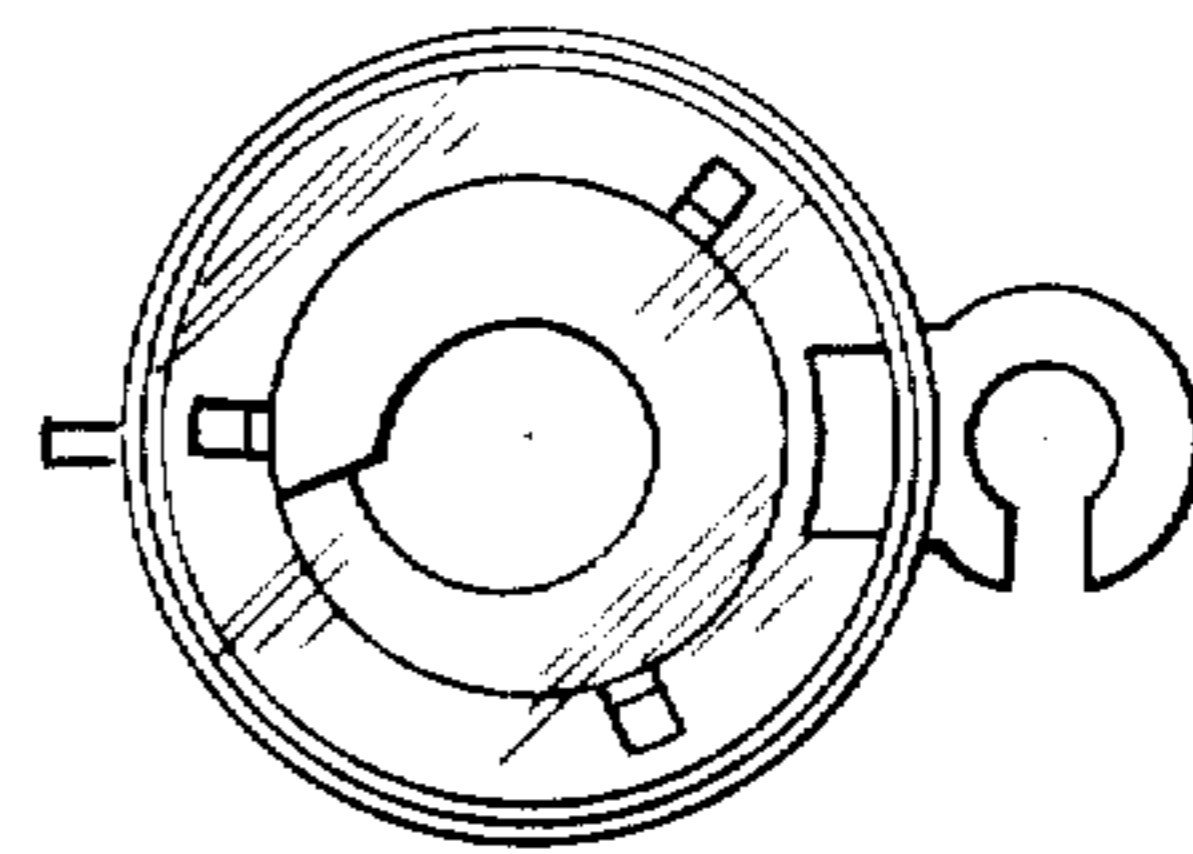


Fig. 5