

[54] COMBINED RECORD OR TAPE RACK AND STEREO COMPONENT SUPPORT STAND

[76] Inventor: David J. Pracon, 450 Griswold Rd., Wethersfield, Conn. 06109

[**] Term: 14 Years

[21] Appl. No.: 13,961

[22] Filed: Feb. 13, 1979

[51] Int. Cl. D06-04

[52] U.S. Cl. D6/29; D6/24; D6/185; D6/186

[58] Field of Search D6/20, 23, 24, 85, 186, D6/180, 185, 27, 28, 29, 30; 108/59, 92, 96; 211/106, 112, 153, 181, 40, 205; 248/158

[56] References Cited

U.S. PATENT DOCUMENTS

D. 219,033	10/1970	Salsgiver	D6/27
1,964,124	6/1934	Keller	108/96
3,921,813	11/1975	Cimino	211/181

Primary Examiner—Joel Stearman

Assistant Examiner—Carmen H. Vales
Attorney, Agent, or Firm—McCormick, Paulding & Huber

[57] CLAIM

The ornamental design for a combined record or tape rack and stereo component support stand, as shown and described.

DESCRIPTION

FIG. 1 is a perspective view of a combined record or tape rack and stereo component support stand showing my new design;
 FIG. 2 is a top plan view thereof;
 FIG. 3 is a side elevational view thereof; the opposite side being a mirror image thereof;
 FIG. 4 is a front elevational view thereof;
 FIG. 5 is a rear elevational view thereof;
 FIG. 6 is a bottom plan view thereof;
 FIG. 7 is a bottom plan view of a second embodiment of a combined record or tape rack and stereo component support stand showing my new design;
 FIG. 8 is a bottom plan view of a third embodiment of a combined record or tape rack and stereo component support stand showing my new design.

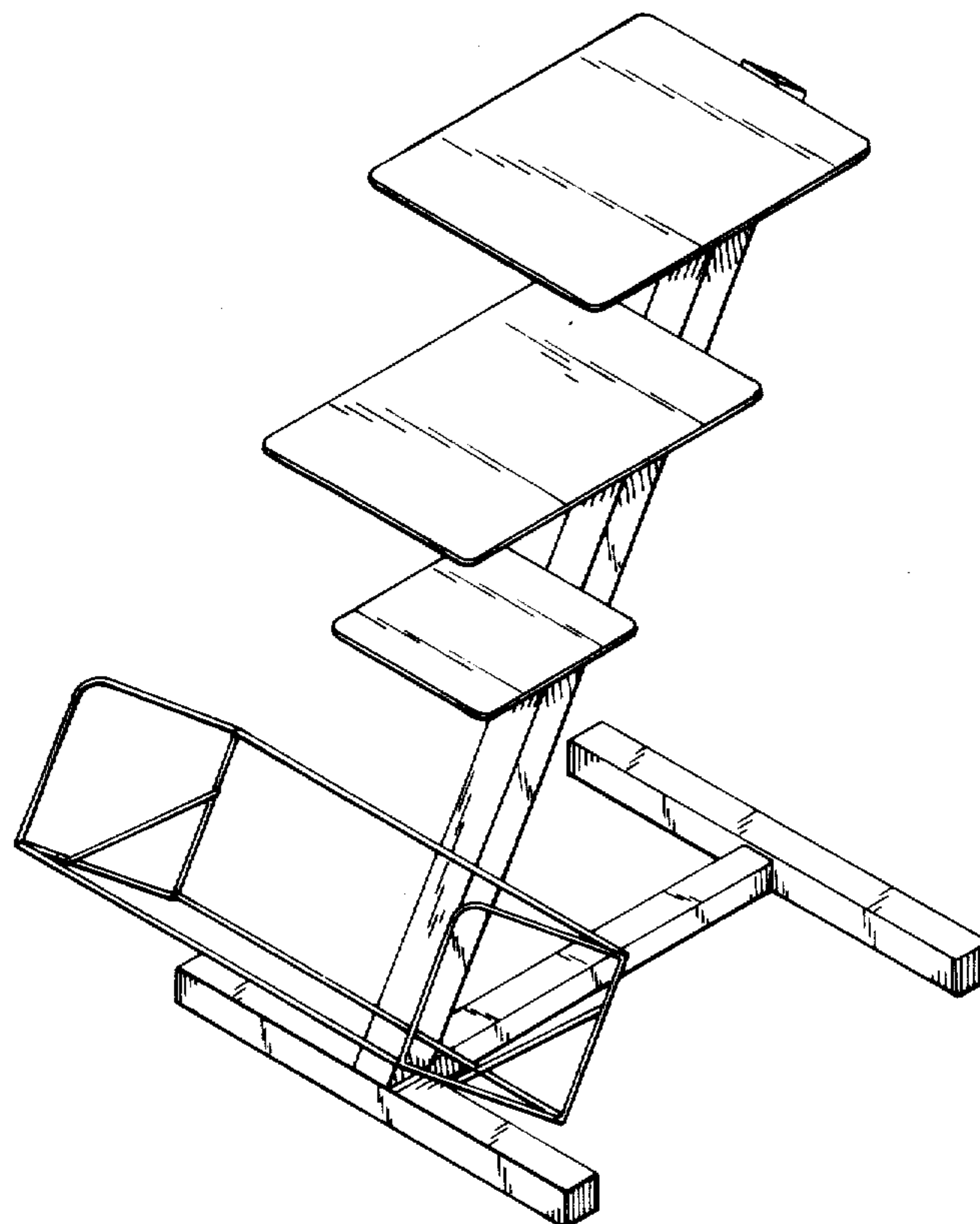


FIG. 1

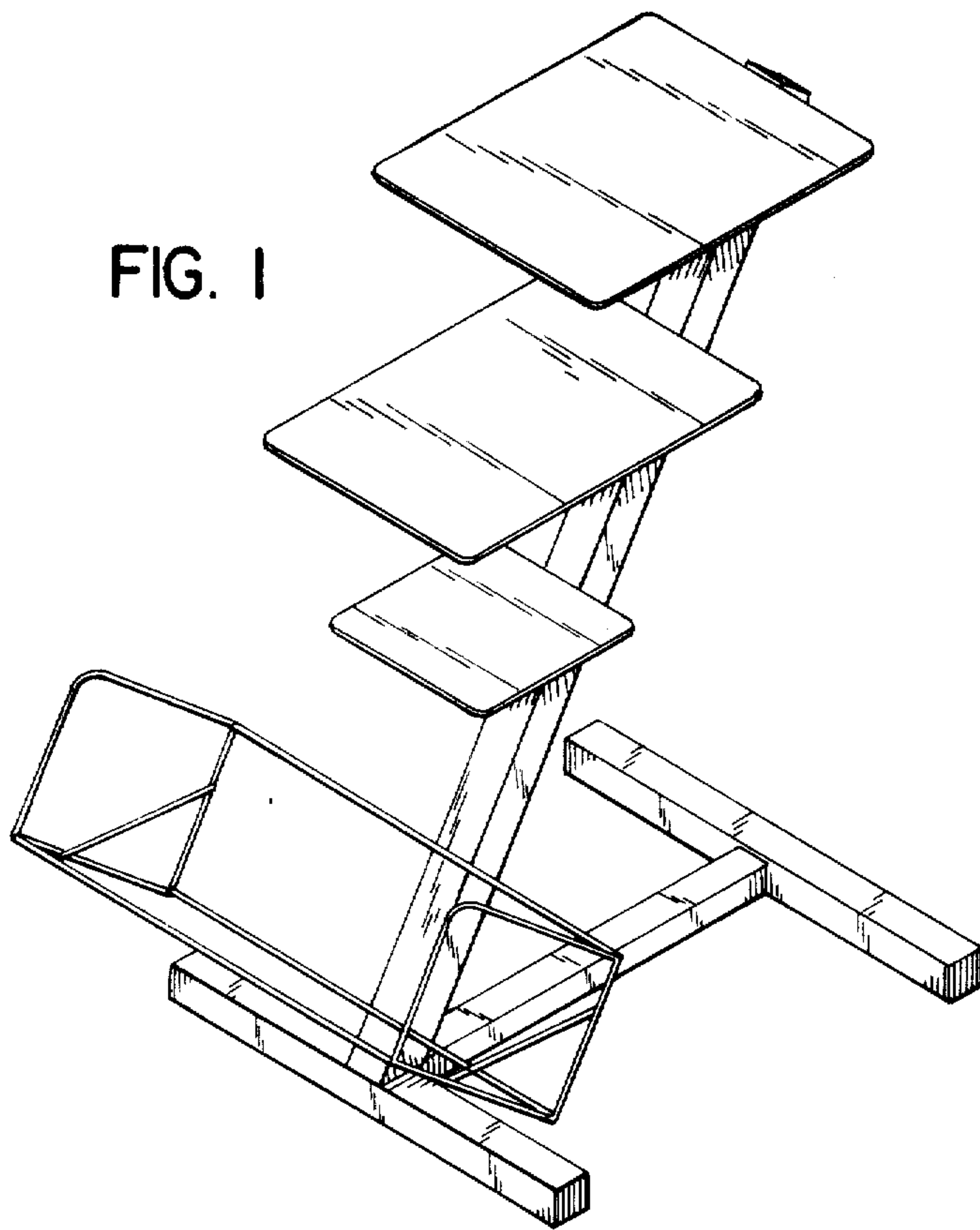


FIG. 2

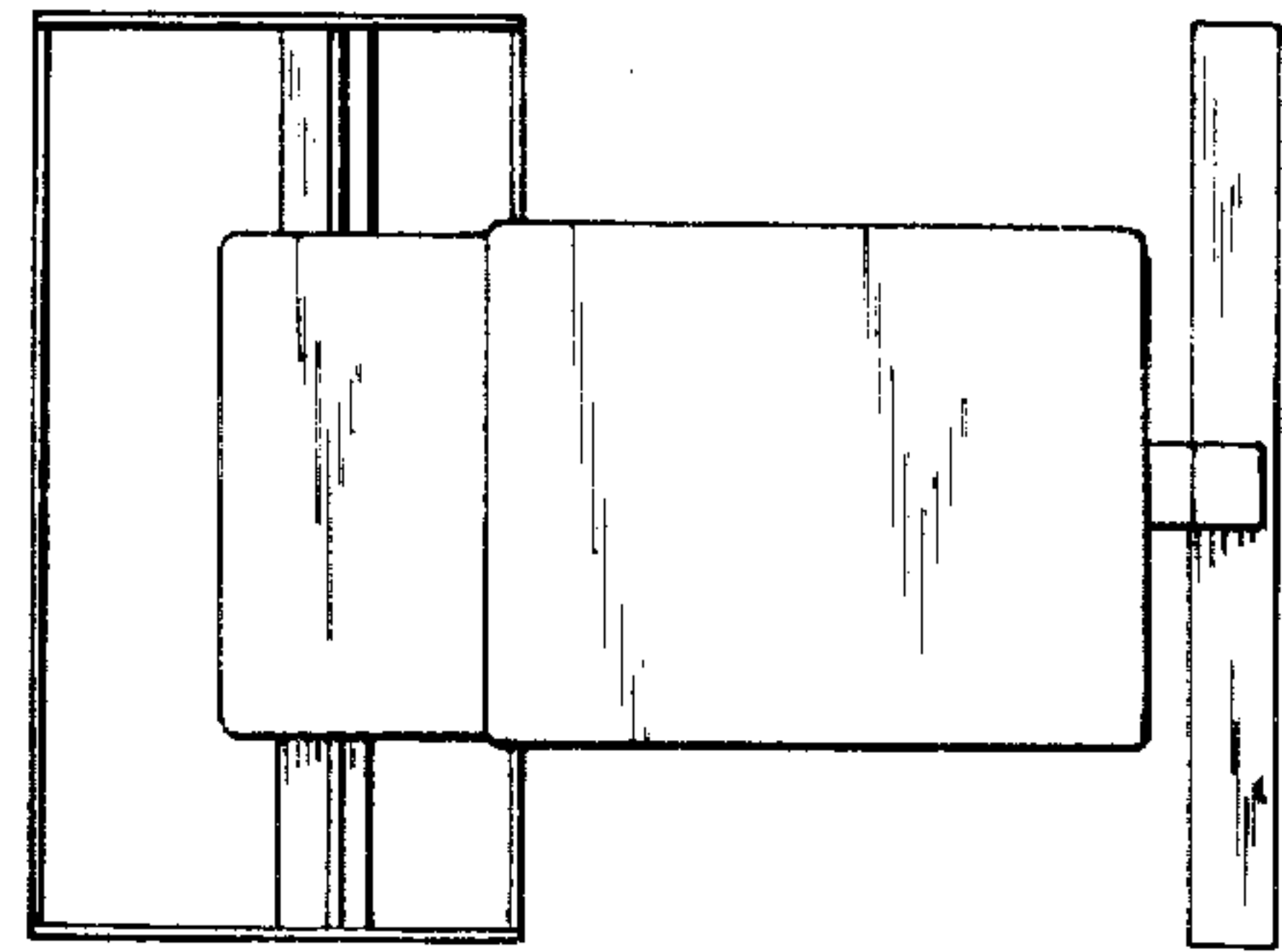


FIG. 3

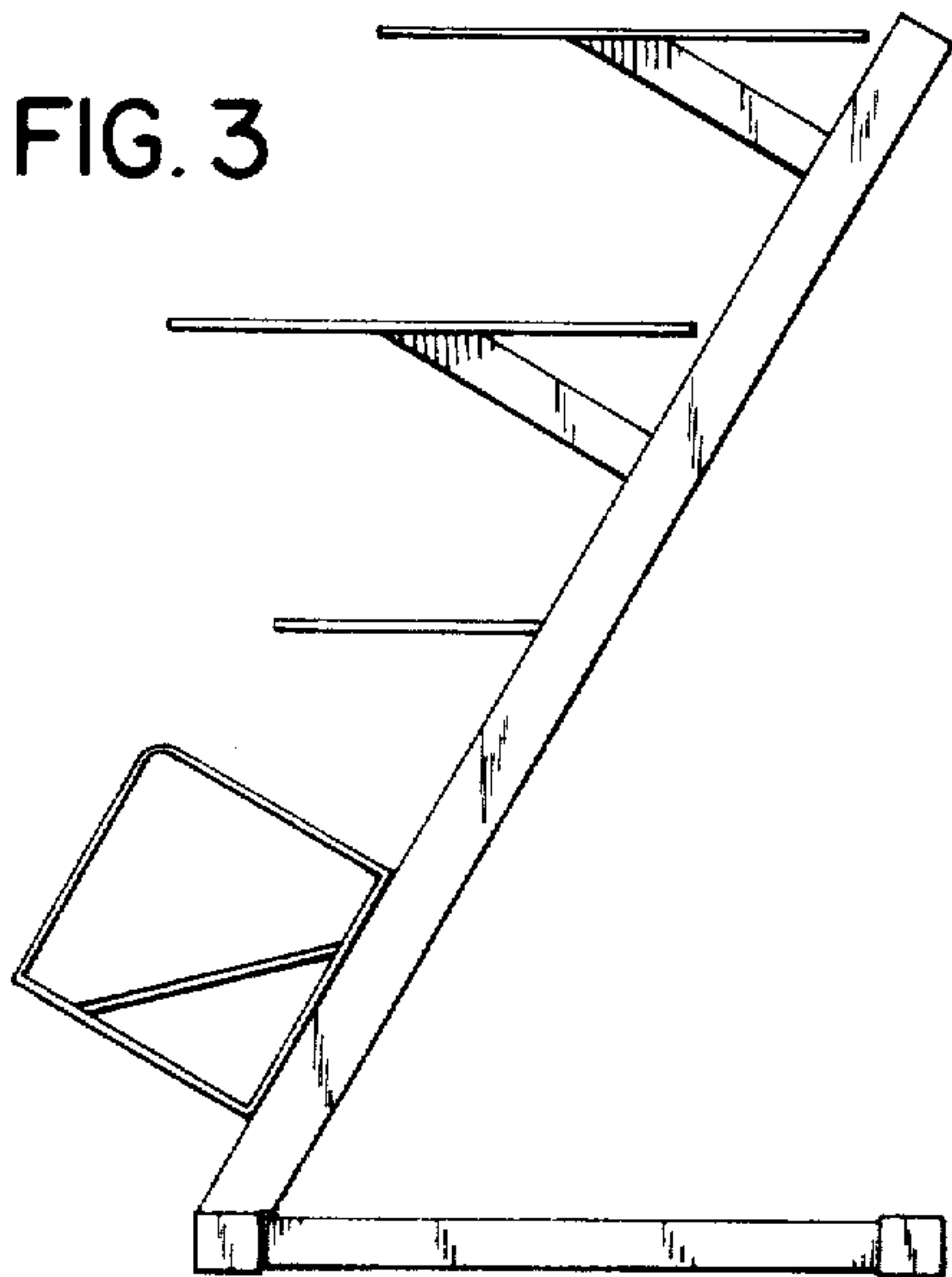


FIG. 4

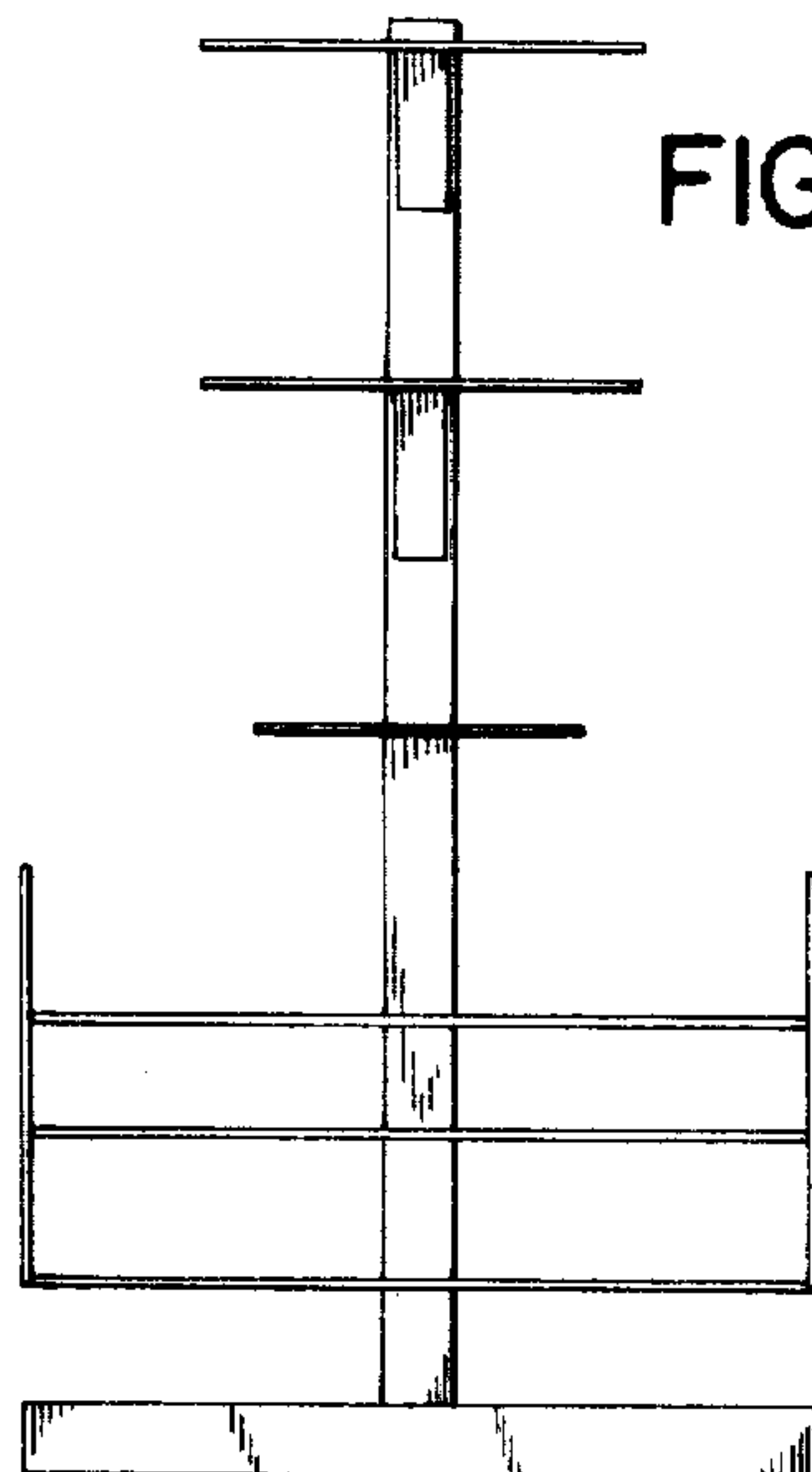


FIG. 5

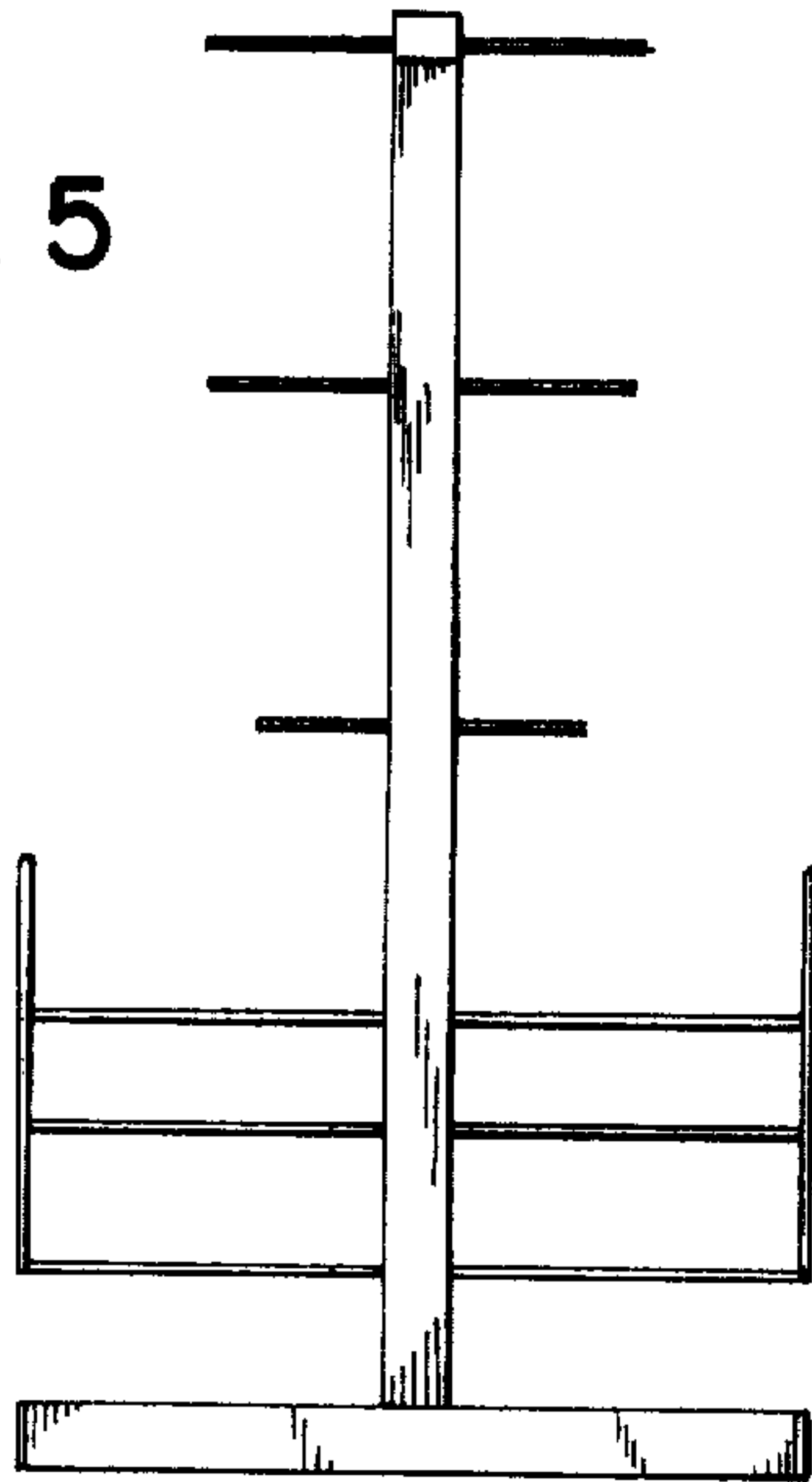


FIG. 6

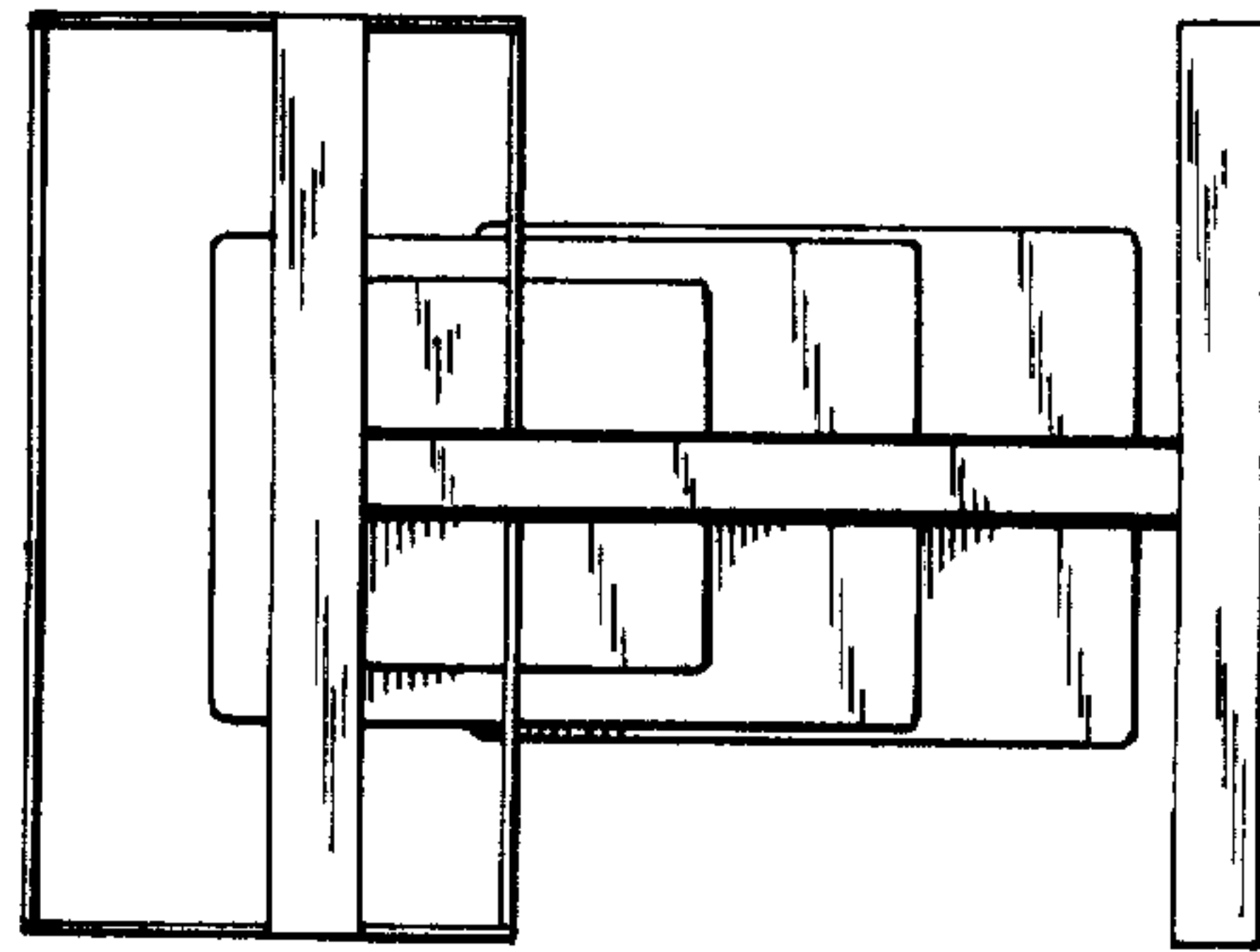


FIG. 7

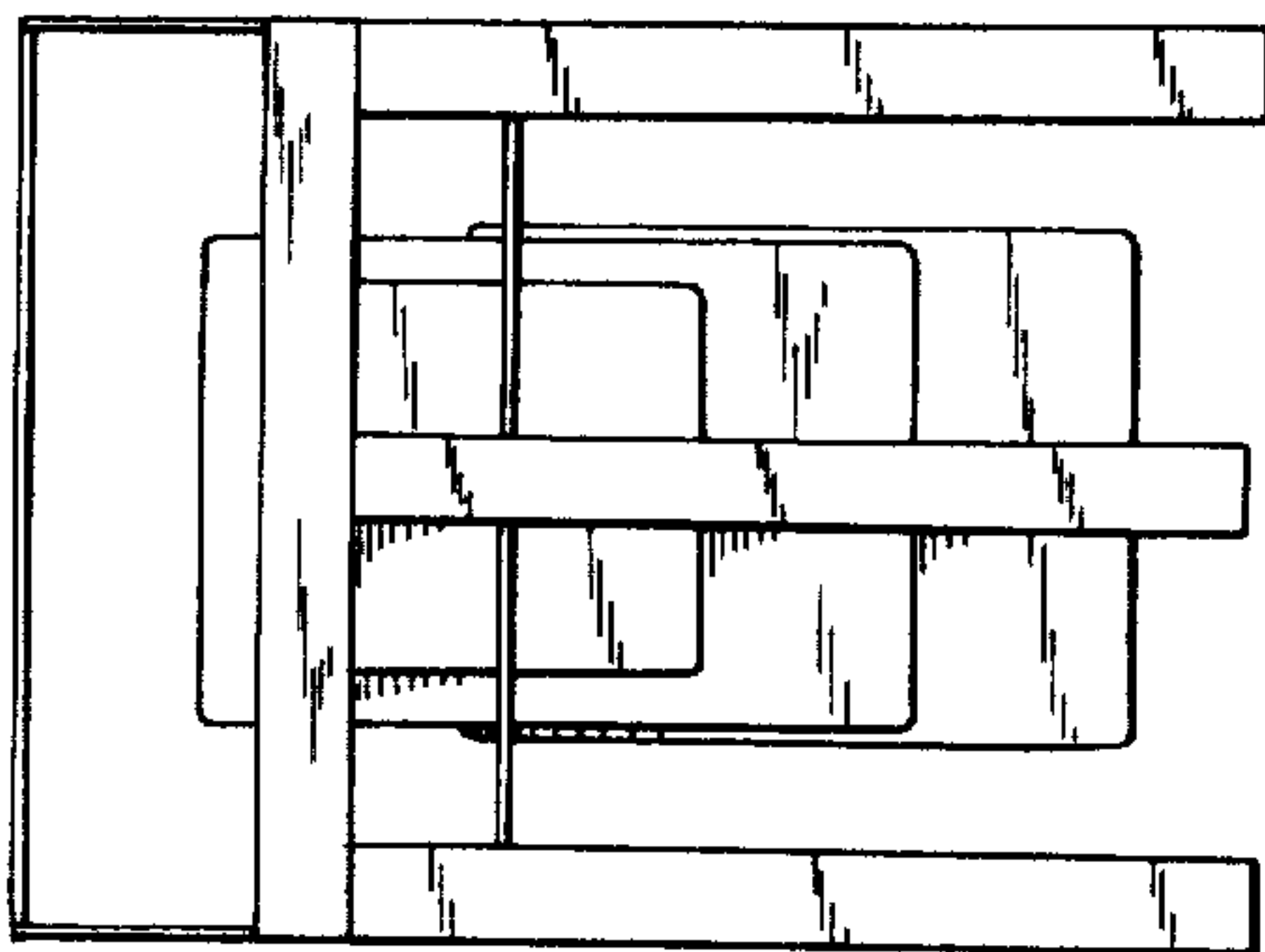


FIG. 8

