

[54] **COMBINED PAINT APPLICATOR AND ROLLER THEREFOR**
 [75] Inventor: **Donald R. Cooke, Minneapolis, Minn.**
 [73] Assignee: **Padco, Inc., Minneapolis, Minn.**
 [**] Term: **14 Years**
 [21] Appl. No.: **37,180**
 [22] Filed: **May 8, 1979**
 [51] Int. Cl. **D4-04**
 [52] U.S. Cl. **D4/38.1**
 [58] Field of Search **D4/38, 38.1, 38.2; 15/230.11, 248 A; 401/15, 196, 197**

3,274,637 9/1966 Schulze 15/248 X
 3,378,872 4/1968 Frontera et al. 15/230.11
 3,748,683 7/1973 Smith et al. 15/248 A
 3,970,396 7/1976 Brady 15/230.11 X
 4,063,325 12/1977 Lizak 15/248 X

FOREIGN PATENT DOCUMENTS

D. 37175 10/1970 Canada D4/38.1

Primary Examiner—Catherine E. Kemper
Attorney, Agent, or Firm—Kinney, Lange, Braddock, Westman and Fairbairn

[57] **CLAIM**

The ornamental design for a combined paint applicator and roller therefor, as shown.

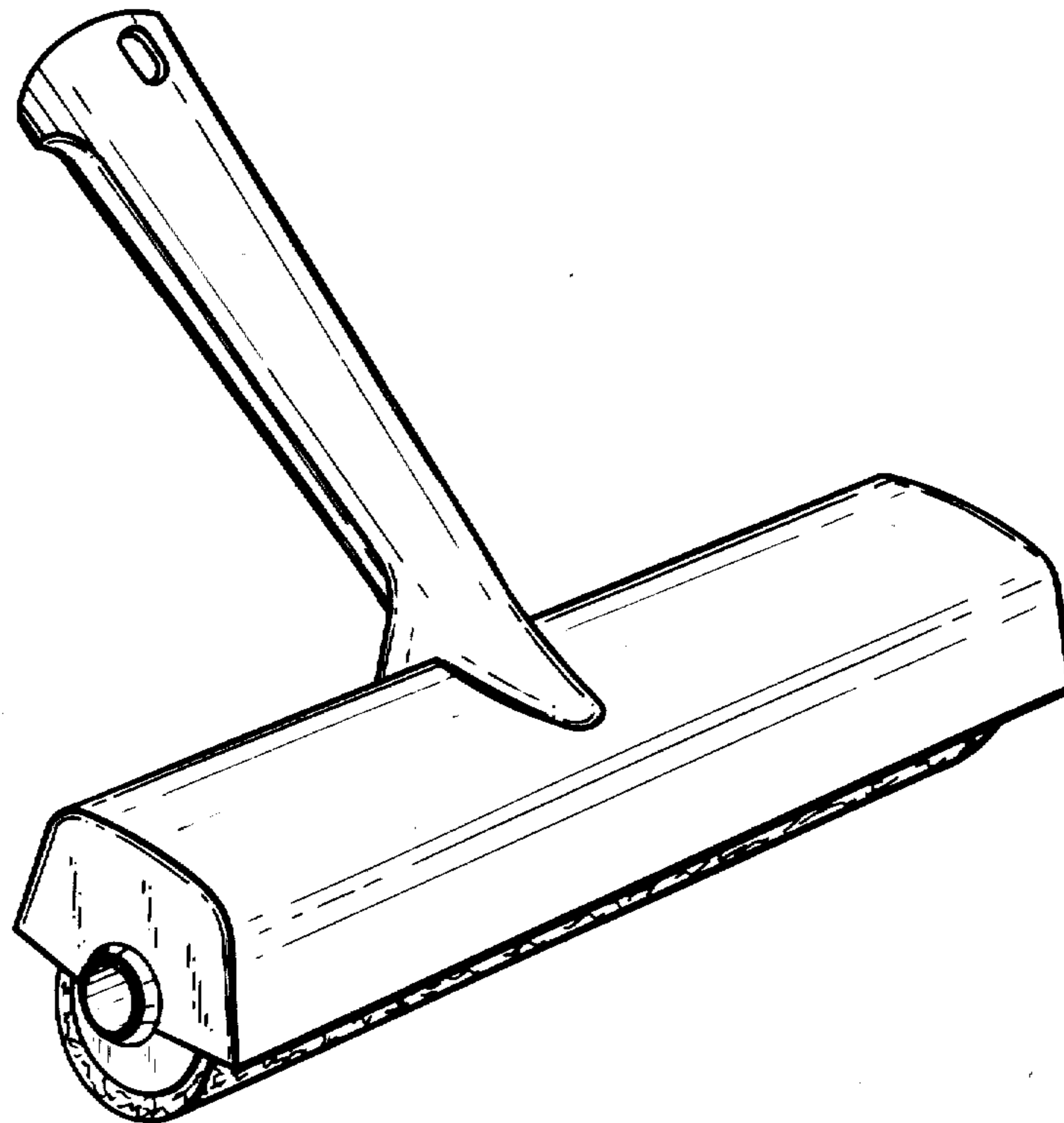
DESCRIPTION

FIG. 1 is a perspective view of a combined paint applicator and roller therefor, showing my new design;
 FIG. 2 is a top view thereof;
 FIG. 3 is a left side elevational view thereof;
 FIG. 4 is a right side elevational view thereof;
 FIG. 5 is a front elevational view thereof;
 FIG. 6 is a rear elevational view thereof; and
 FIG. 7 is a bottom view thereof.

[56] **References Cited**

U.S. PATENT DOCUMENTS

D. 235,278 6/1975 Janssen D4/38.1
 D. 248,055 5/1978 MacGregor D4/38.1 X
 D. 252,219 6/1979 Peeples D28/7
 2,896,244 7/1959 Crosh 15/248
 3,029,458 4/1962 Balicki 15/248 X
 3,058,145 10/1962 Hegedus D4/38.1 X
 3,112,729 12/1963 Prezioso, Jr. 15/248 X
 3,115,659 12/1963 Church 15/248 X



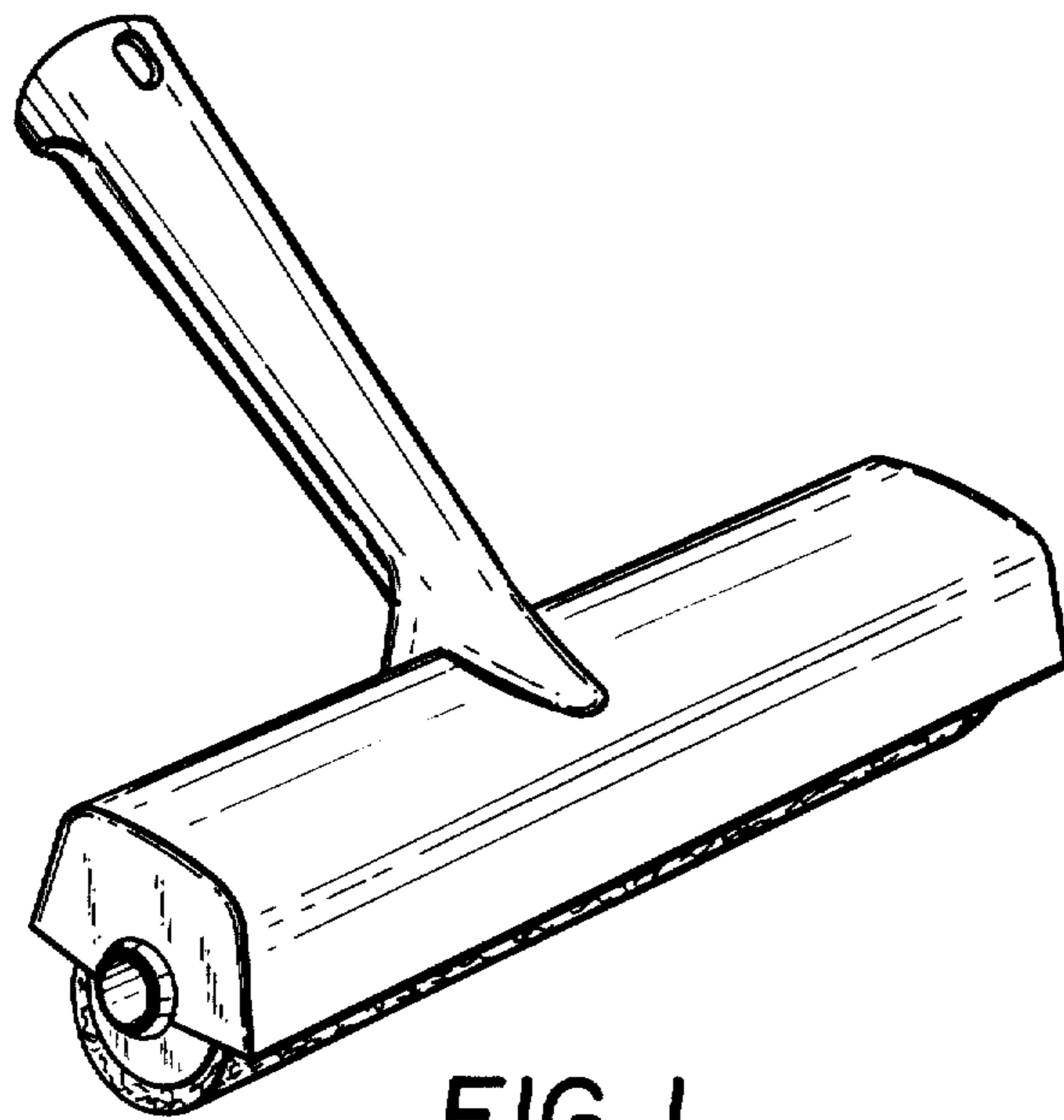


FIG. 1

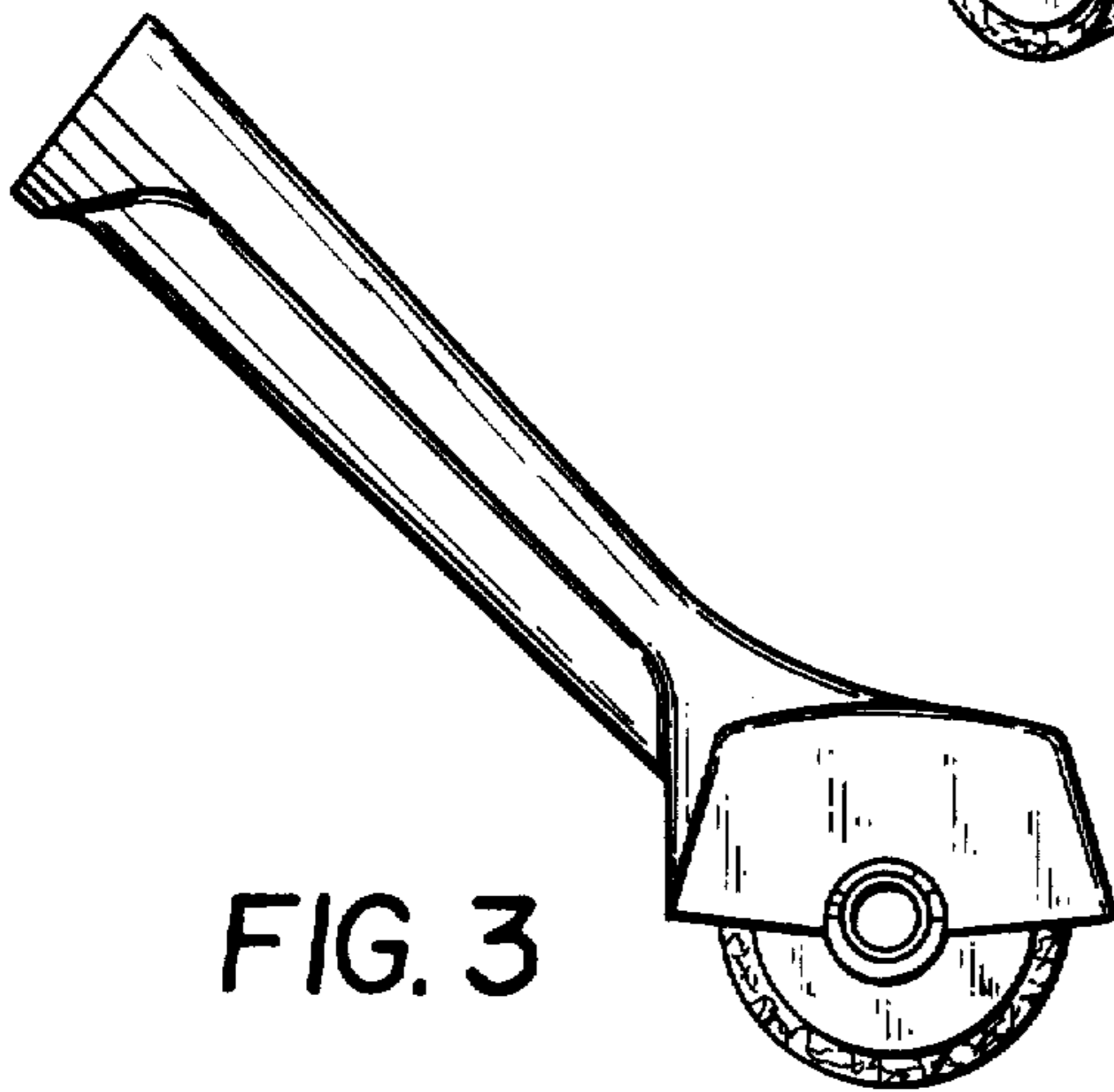


FIG. 3

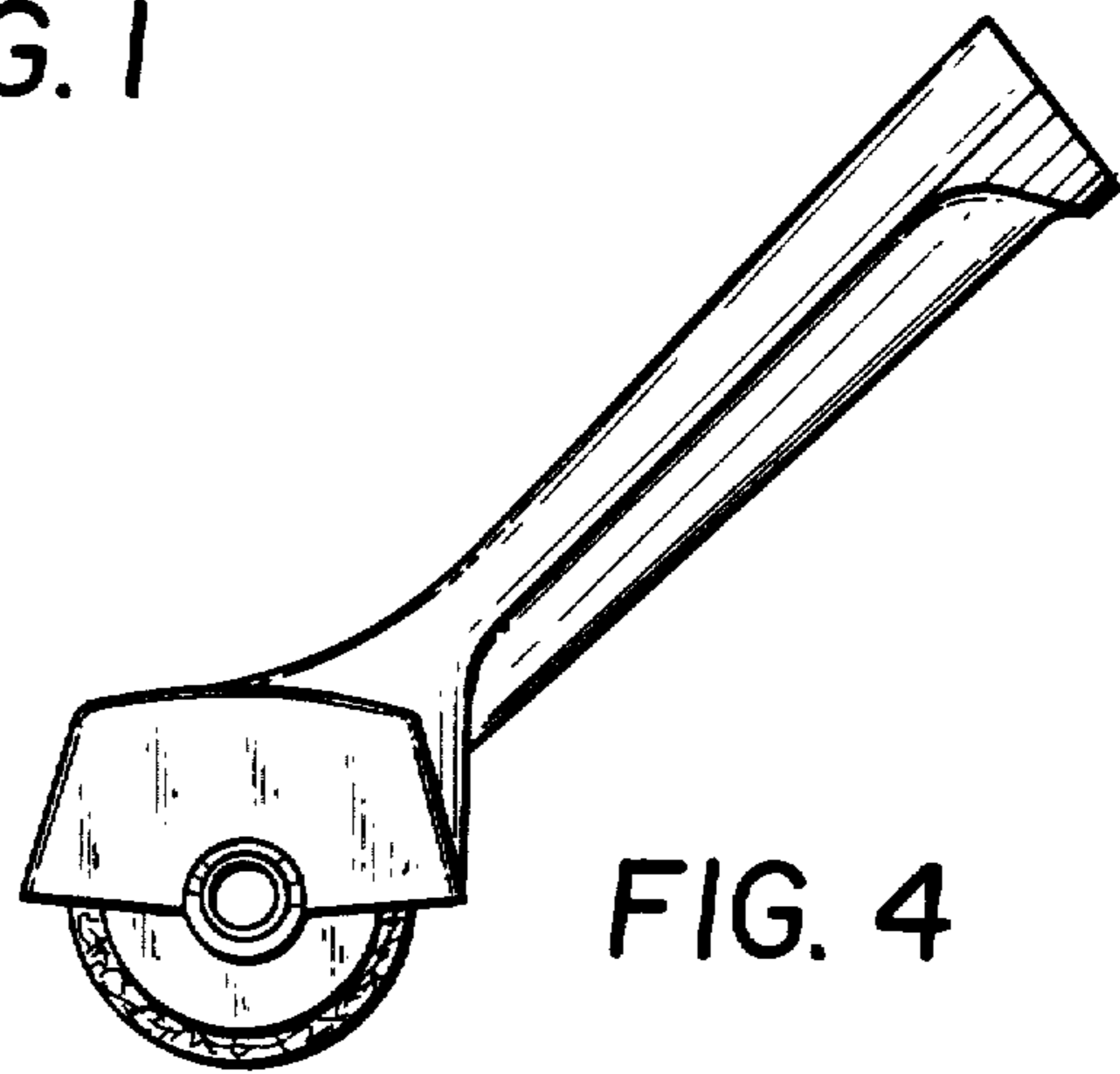


FIG. 4

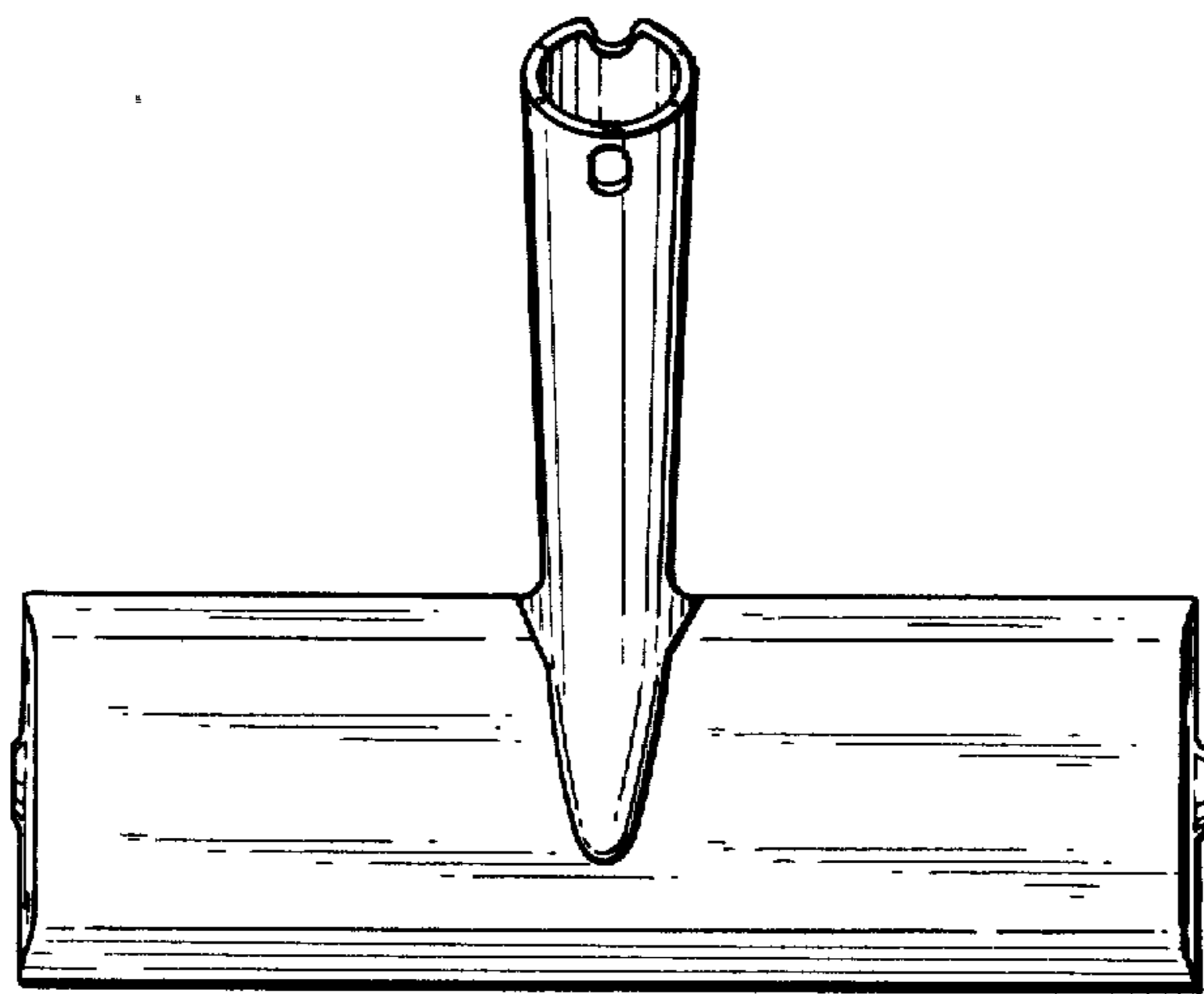


FIG. 2

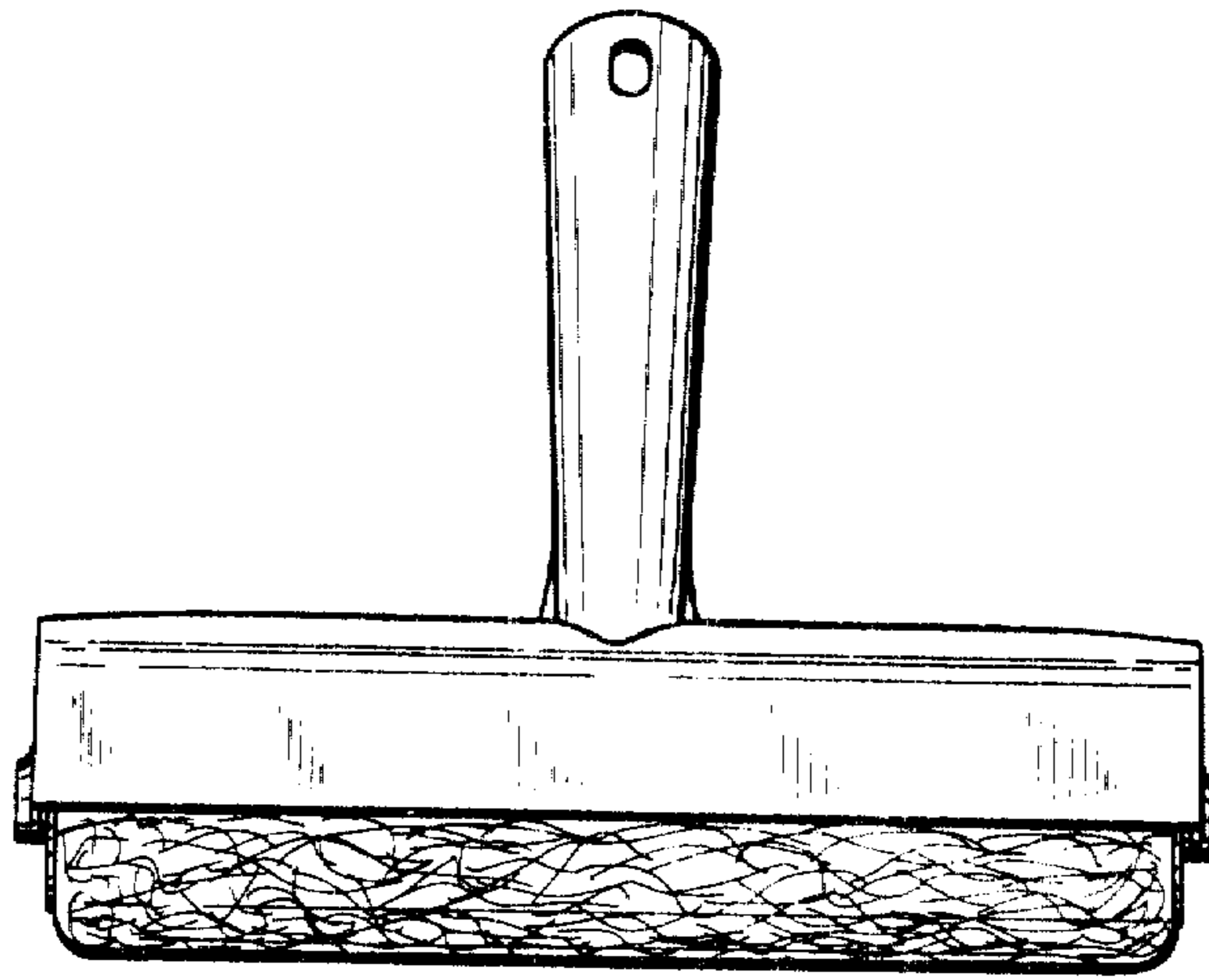


FIG. 5

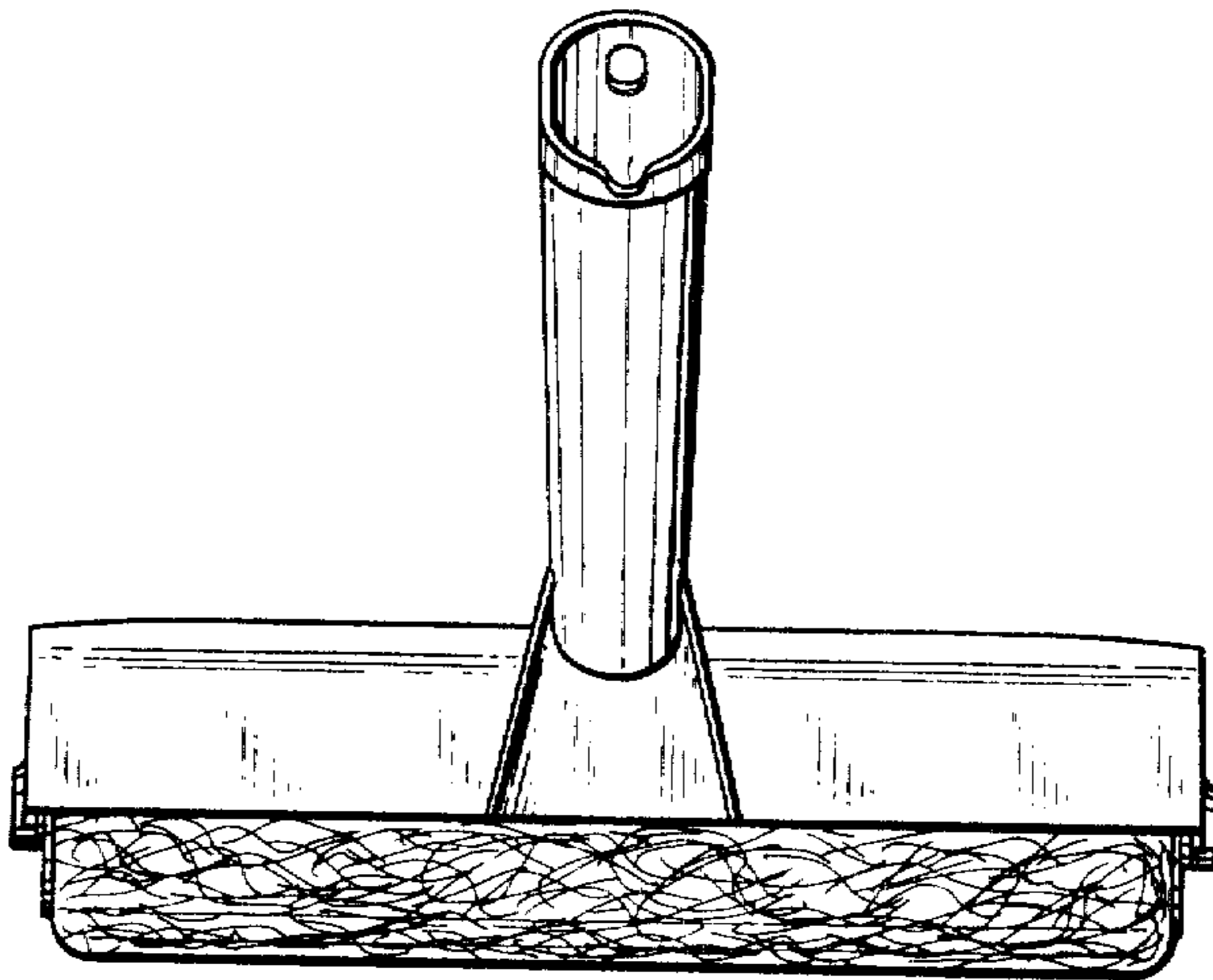


FIG. 6

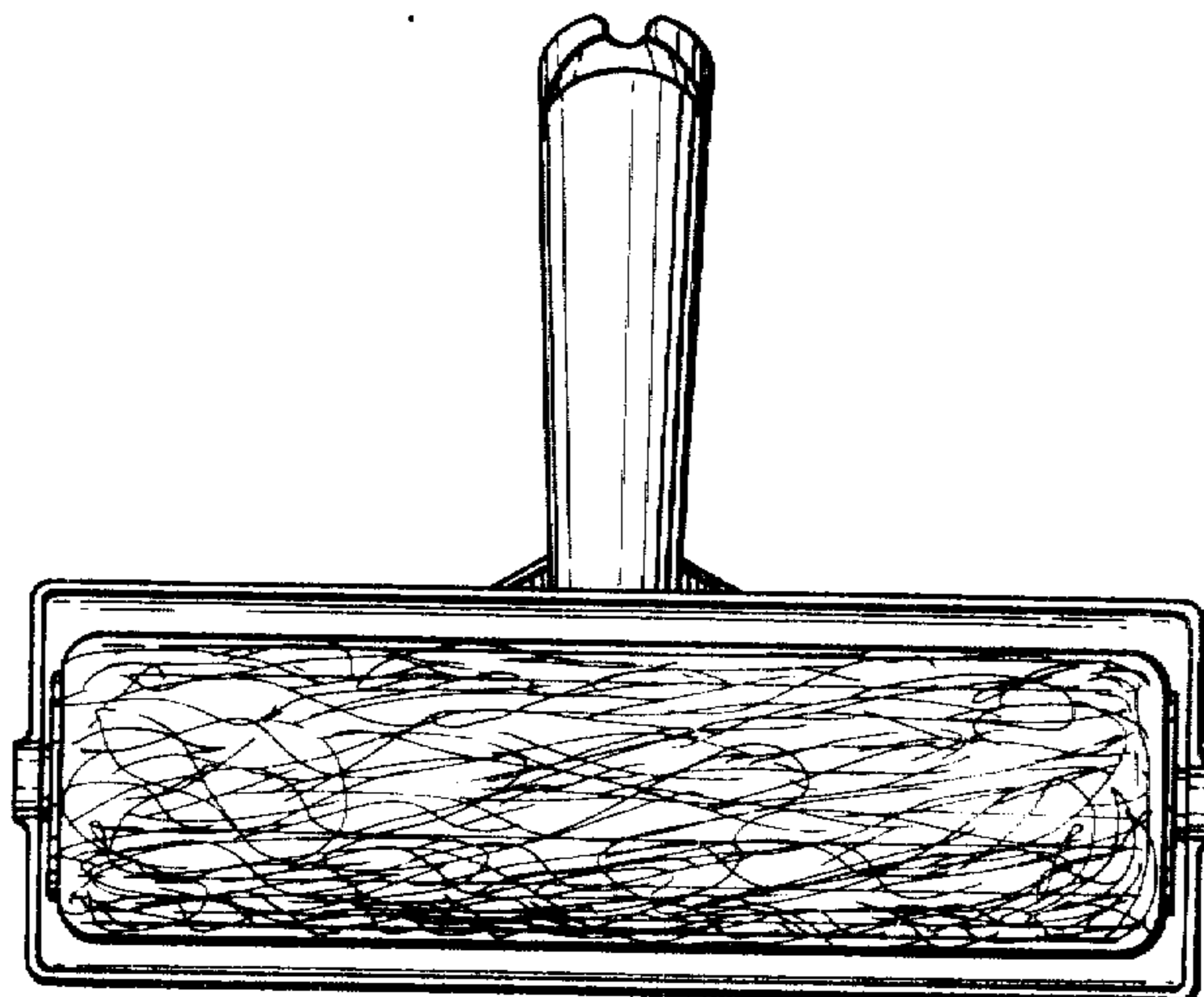


FIG. 7