

[54] **CYMBAL HOLDER**

[76] **Inventor:** Roy D. Zimmerman, P.O. Box 6431,
South Bend, Ind. 46660

[**] **Term:** 14 Years

[21] **Appl. No.:** 61,078

[22] **Filed:** Jul. 26, 1979

[51] **Int. Cl.** D3—02

[52] **U.S. Cl.** D3/73; D3/35;
D3/74

[58] **Field of Search** D3/30, 35, 67, 68, 69,
D3/73, 74; 224/45 K, 45 R; 84/411 R

[56] **References Cited**

U.S. PATENT DOCUMENTS

D. 232,783 9/1974 Kryter D3/35
3,887,103 6/1975 Spooner 224/45 R

FOREIGN PATENT DOCUMENTS

269039 4/1927 United Kingdom 224/45 K

Primary Examiner—George P. Word
Attorney, Agent, or Firm—Oltsch, Knoblock & Hall

[57] **CLAIM**

The ornamental design for a cymbal holder, as shown.

DESCRIPTION

FIG. 1 is a perspective view of a cymbal holder showing my new design as seen from one side;
FIG. 2 is a side elevational view of the opposite side;
FIG. 3 is a top plan view thereof;
FIG. 4 is an end elevational view; and
FIG. 5 is a bottom plan view.

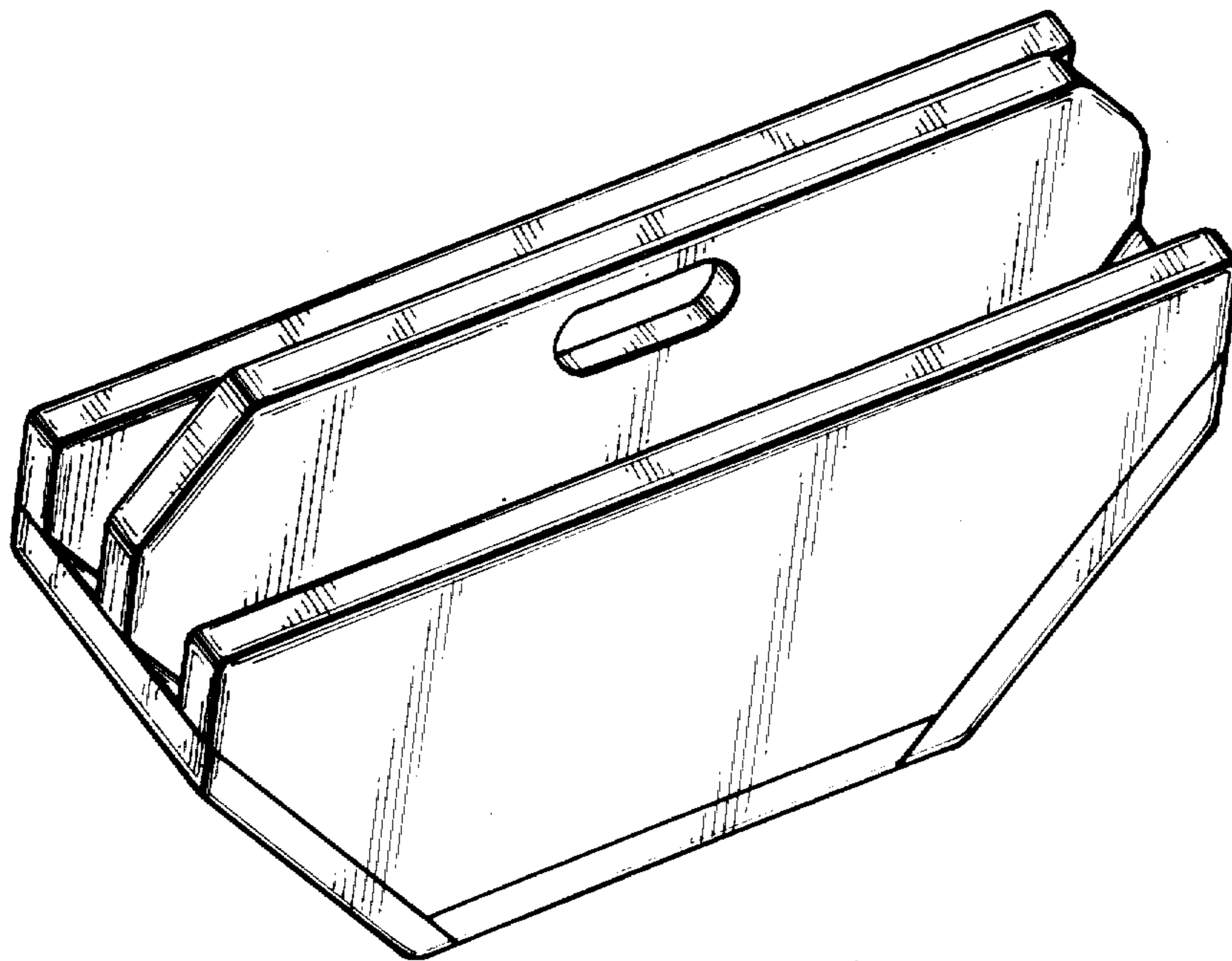


fig 1

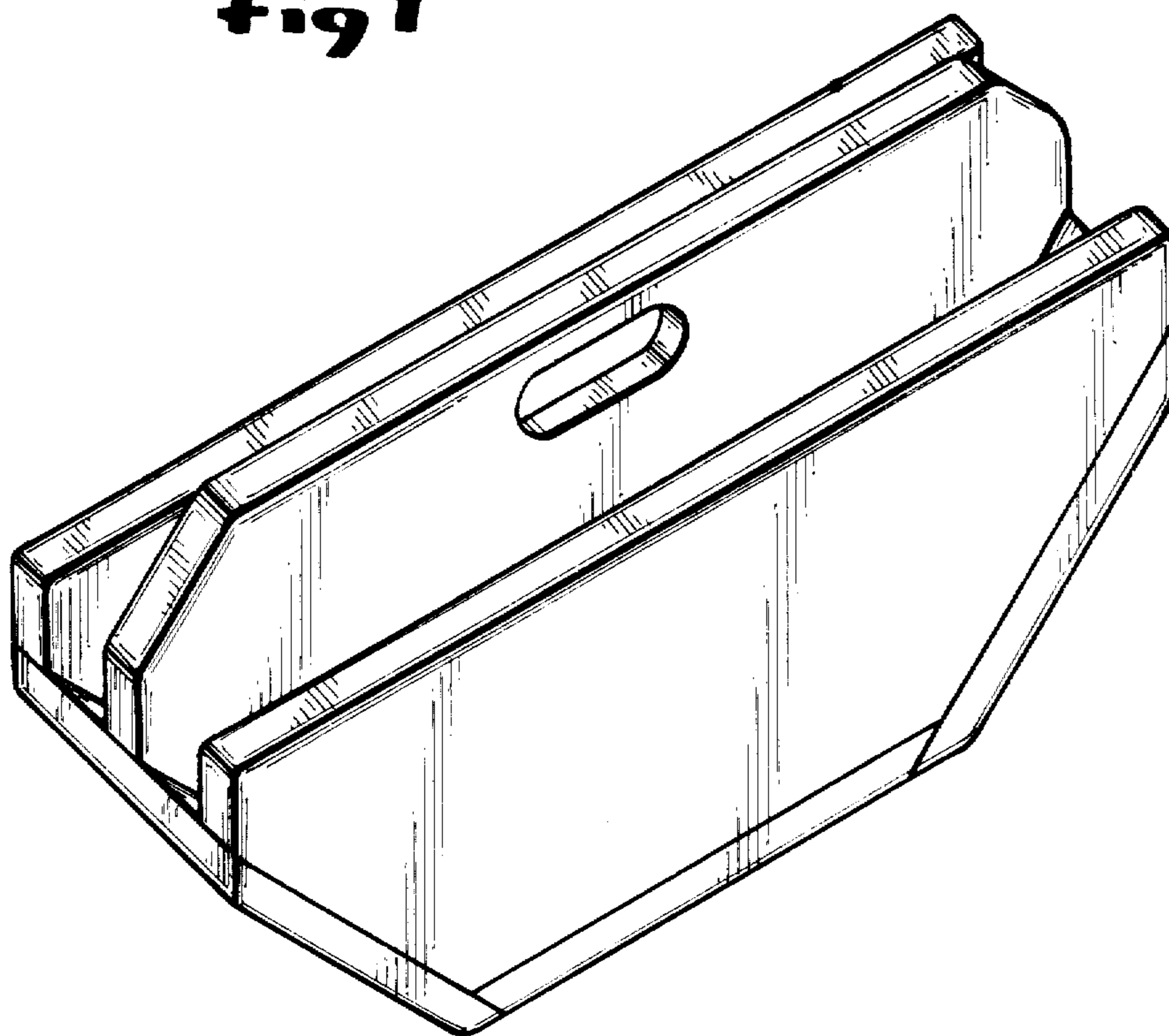


fig 2

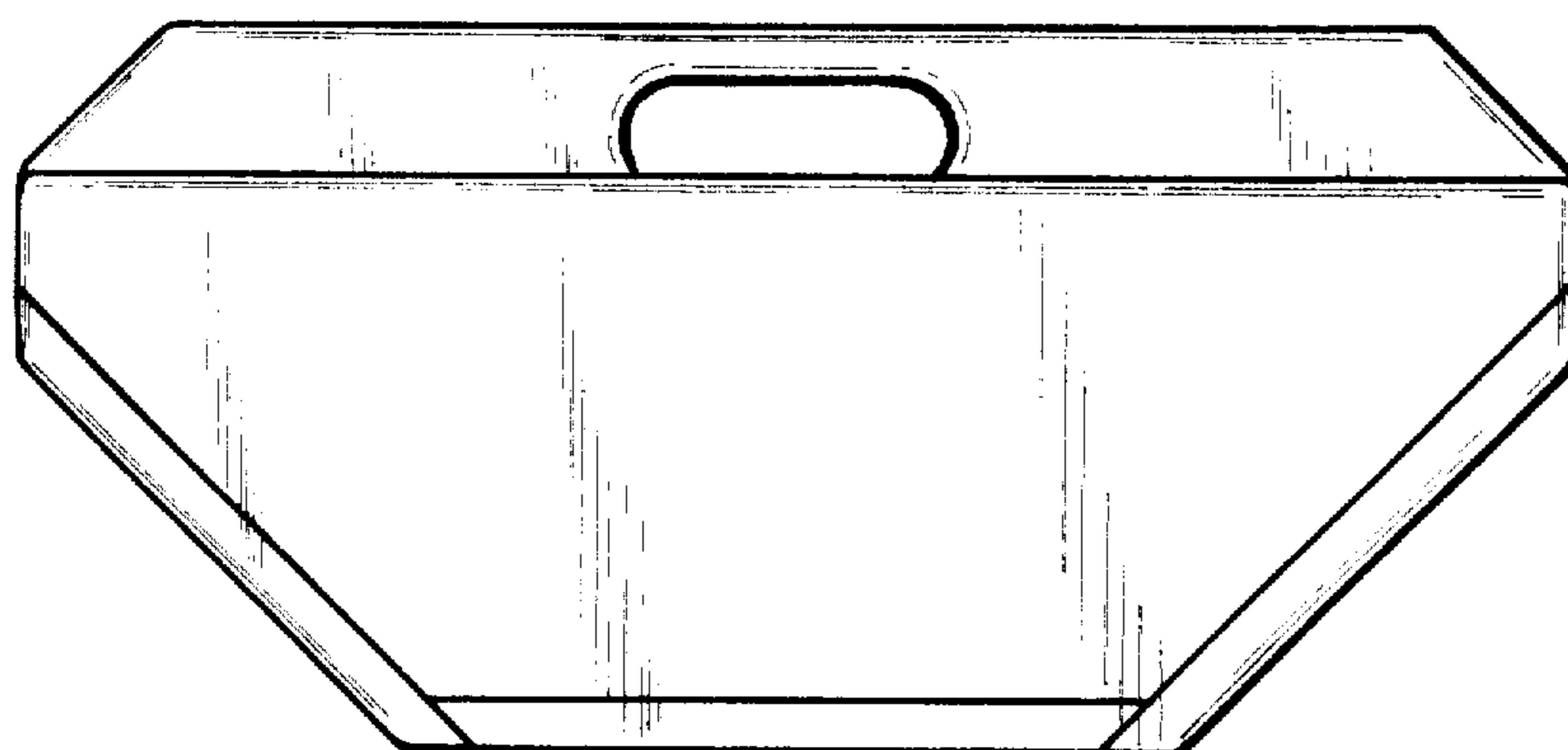


fig 3

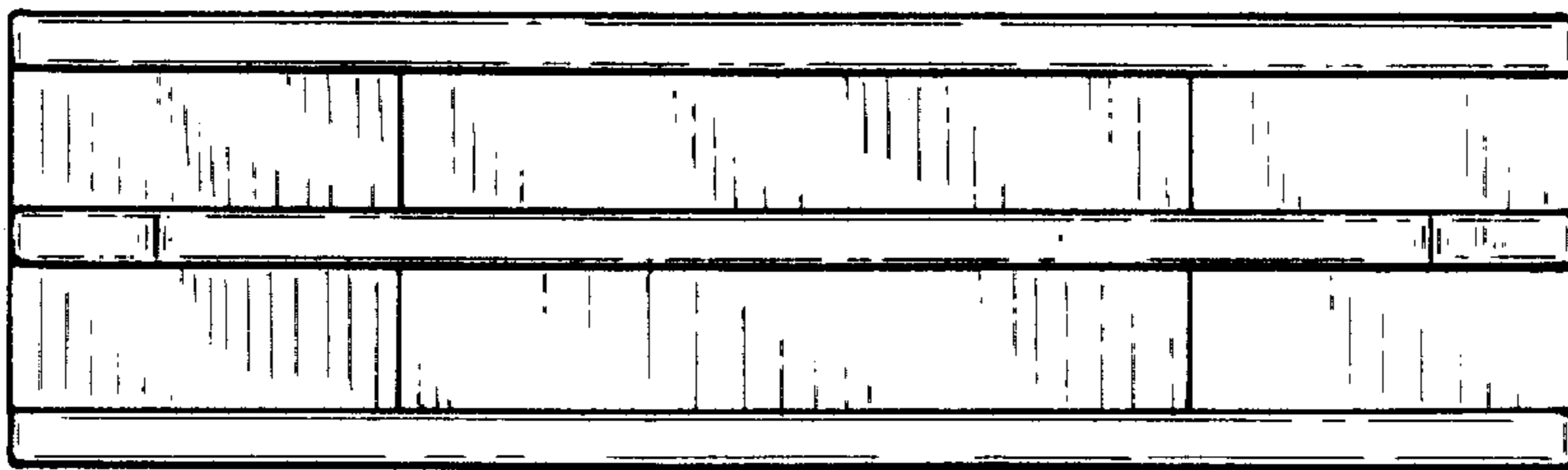


fig 4

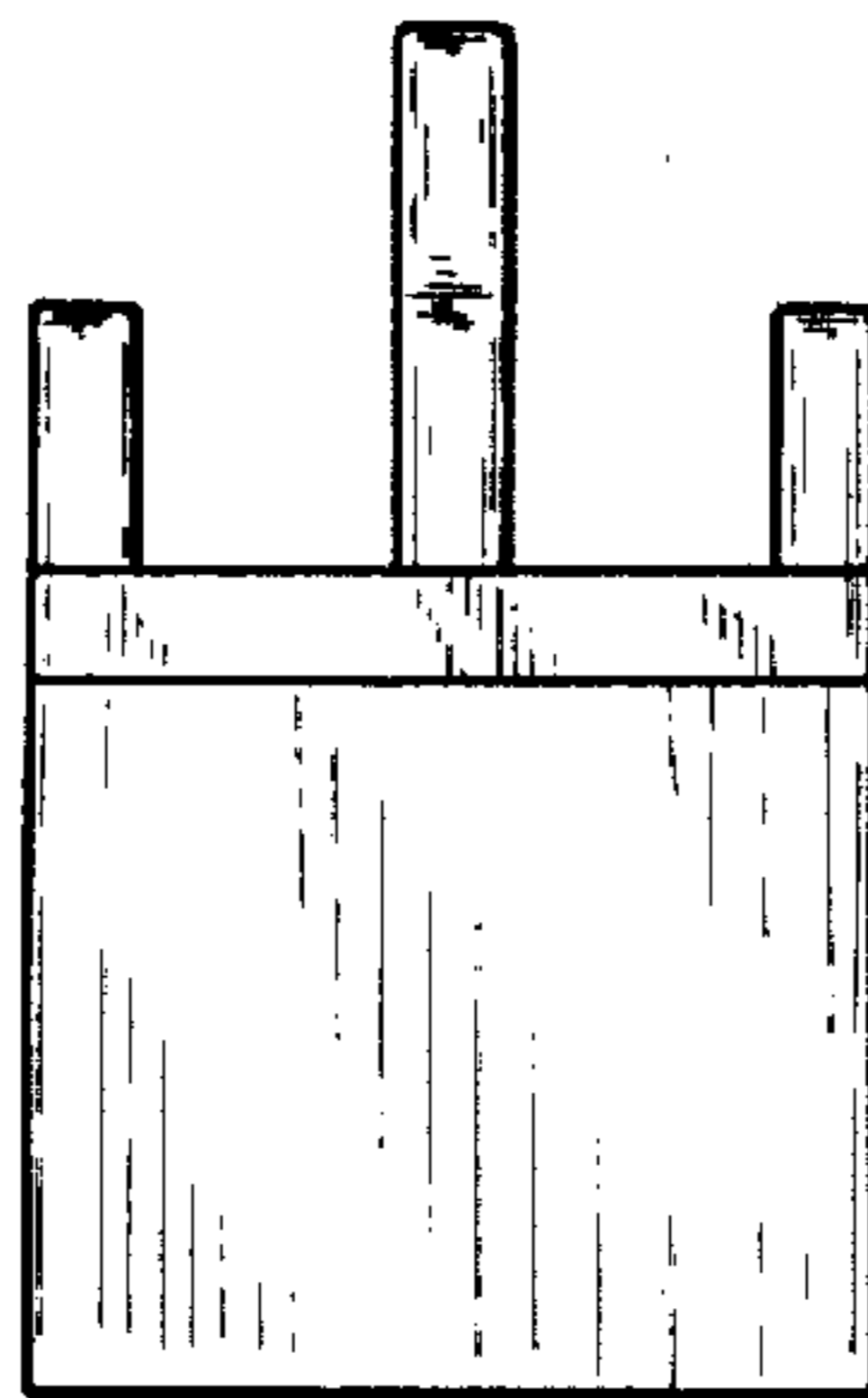


fig 5

