

[54] TENNIS BAG

[75] Inventor: Micheal Pfeiffer, Holzkirchen, Fed. Rep. of Germany

[73] Assignee: Pfeiffer Gesellschaft mbH, Munich, Fed. Rep. of Germany

[\*\*] Term: 14 Years

[21] Appl. No.: 60,619

[22] Filed: Jul. 25, 1979

[30] Foreign Application Priority Data

Jan. 25, 1979 [DE] Fed. Rep. of Germany .... MR11611

[51] Int. Cl. .... D3-02

[52] U.S. Cl. .... D3/36; D3/48; D3/71

[58] Field of Search .... D3/30, 36-38, D3/48, 71, 76, 77; 150/52.6; 190/41.2, 52

[56] References Cited

U.S. PATENT DOCUMENTS

- D. 154,247 6/1949 Doppelt ..... D3/71
- D. 202,017 8/1965 Taylor ..... D3/36

- D. 232,271 7/1974 Glantz et al. .... D3/71
- 2,767,758 10/1956 Haynes ..... 150/52 G
- 2,893,523 7/1959 Mitchell ..... 190/41 Z

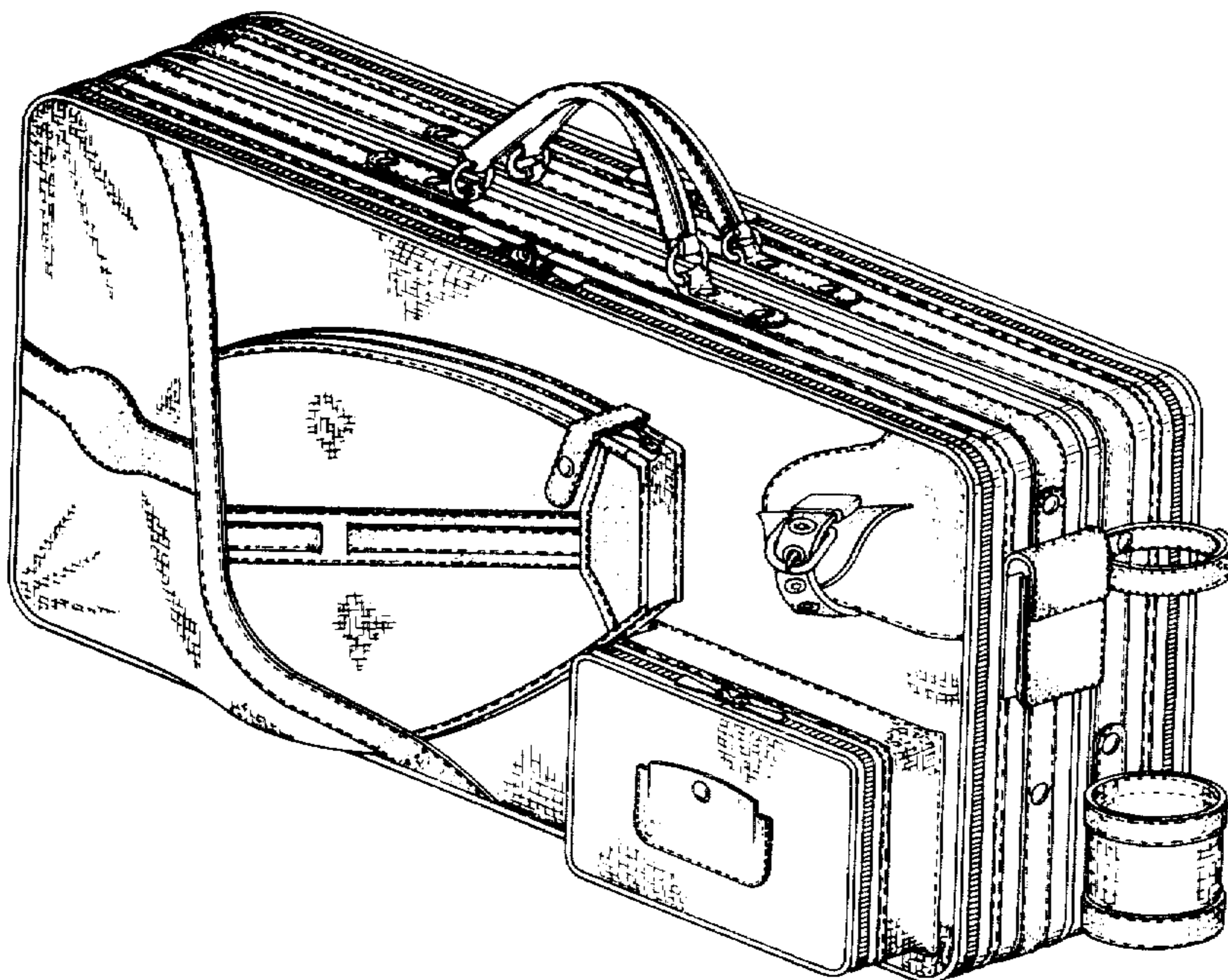
Primary Examiner—George P. Word  
Attorney, Agent, or Firm—Burgess, Ryan and Wayne

[57] CLAIM

The ornamental design for a tennis bag, as shown and described.

DESCRIPTION

FIG. 1 is a perspective view of a tennis bag showing my new design;  
 FIG. 2 is a front elevational view;  
 FIG. 3 is a rear elevational view;  
 FIG. 4 is a right side elevational view;  
 FIG. 5 is a left side elevational view;  
 FIG. 6 is a rear perspective view;  
 FIG. 7 is a top plan view with the end straps open;  
 FIG. 8 is a bottom plan view thereof; and  
 FIG. 9 is a rear perspective view of an alternate embodiment of the tennis bag wherein shoulder straps are added. The partial showing of surface shading indicating a fabric texture is understood to be continuous throughout on those surfaces where shown.



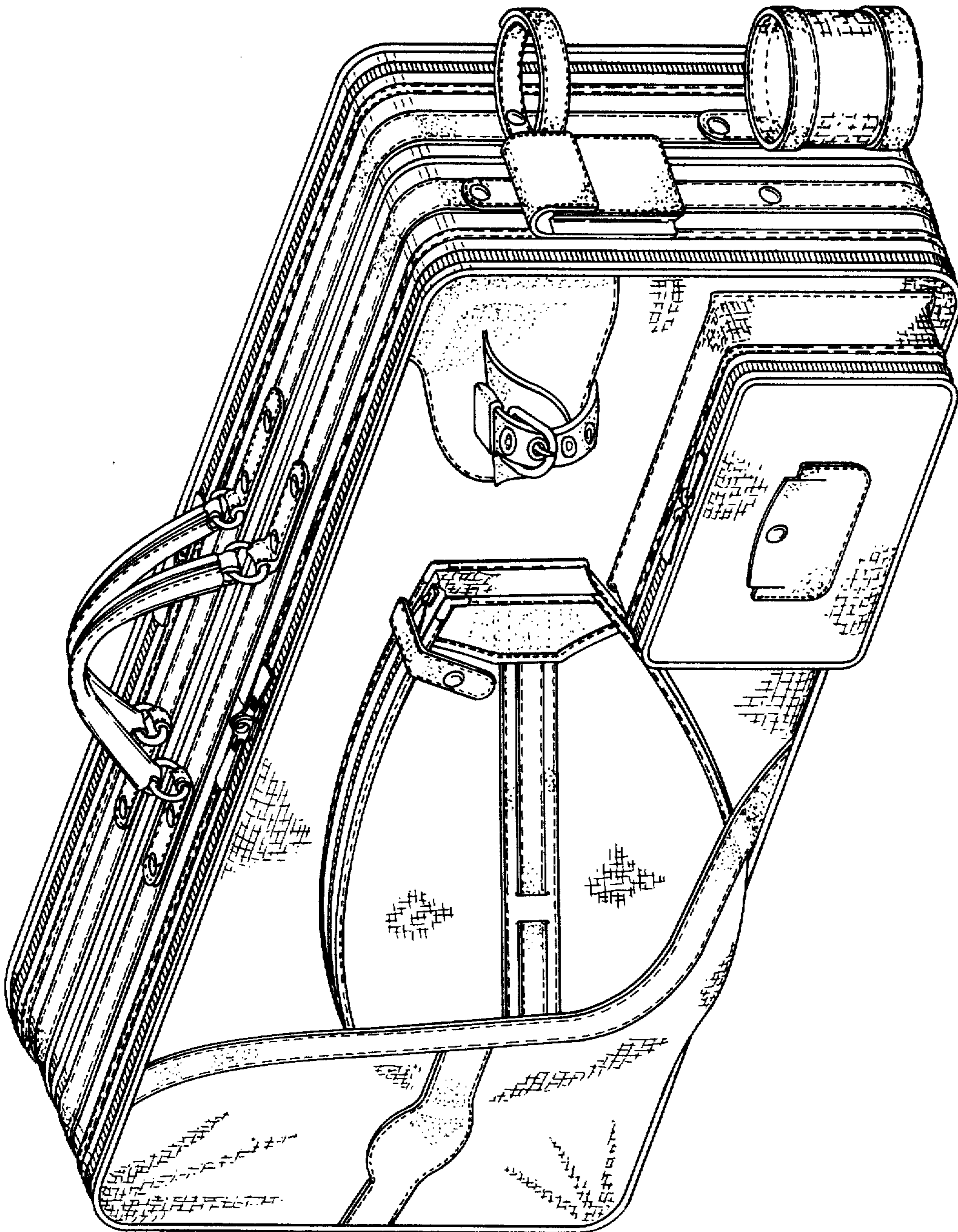


FIG. 1



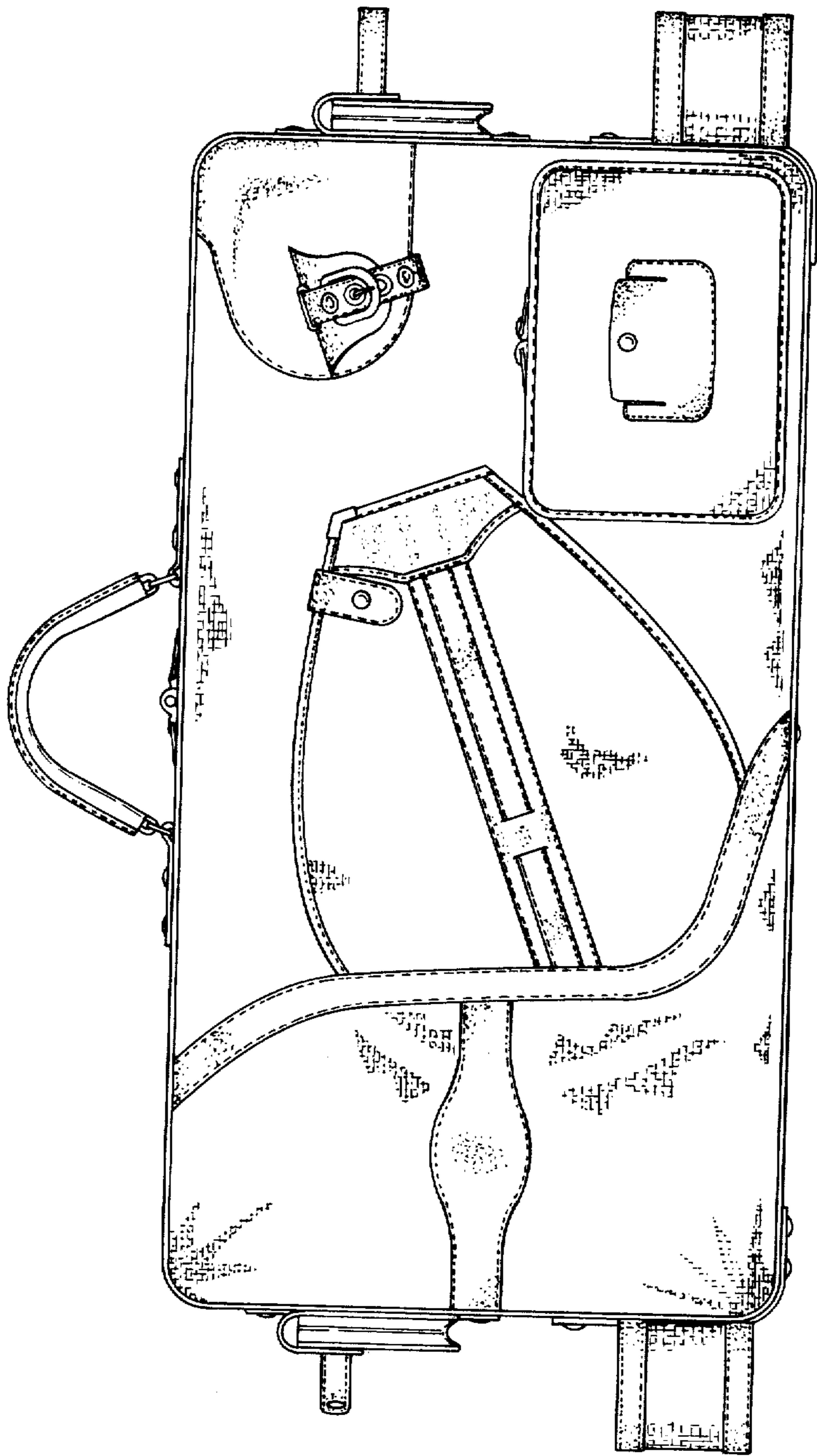


FIG. 2

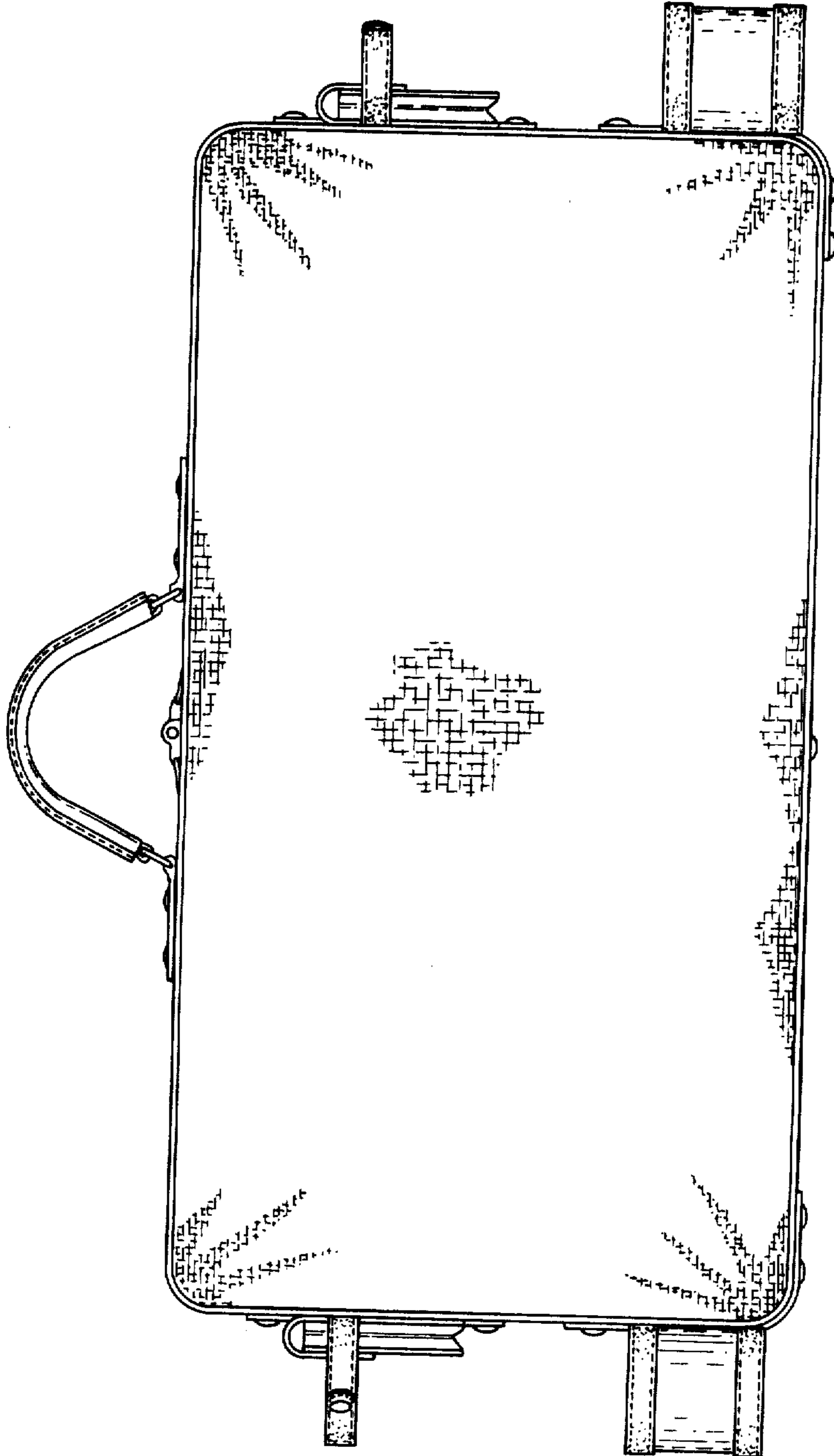


FIG. 3

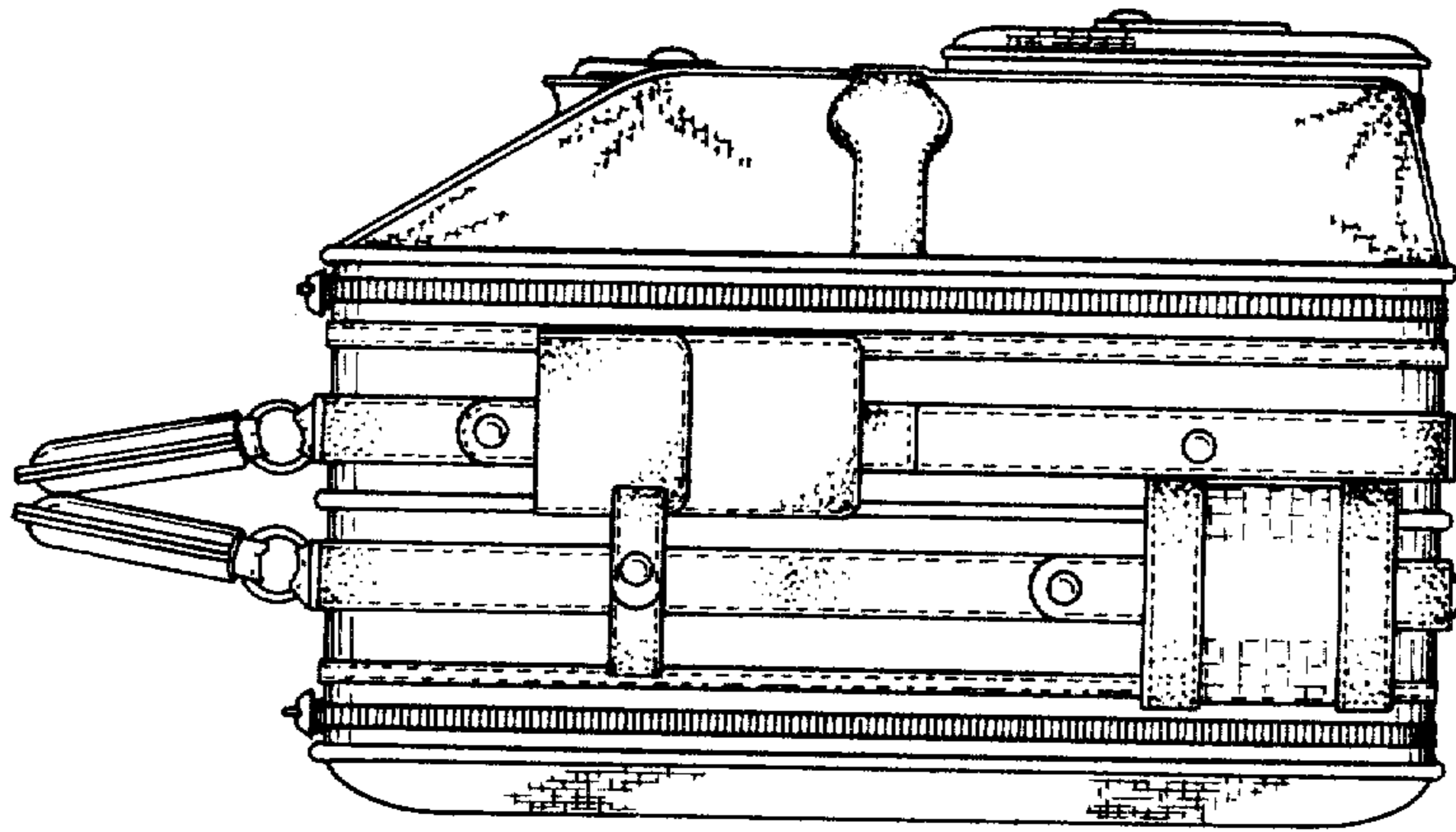


FIG.5

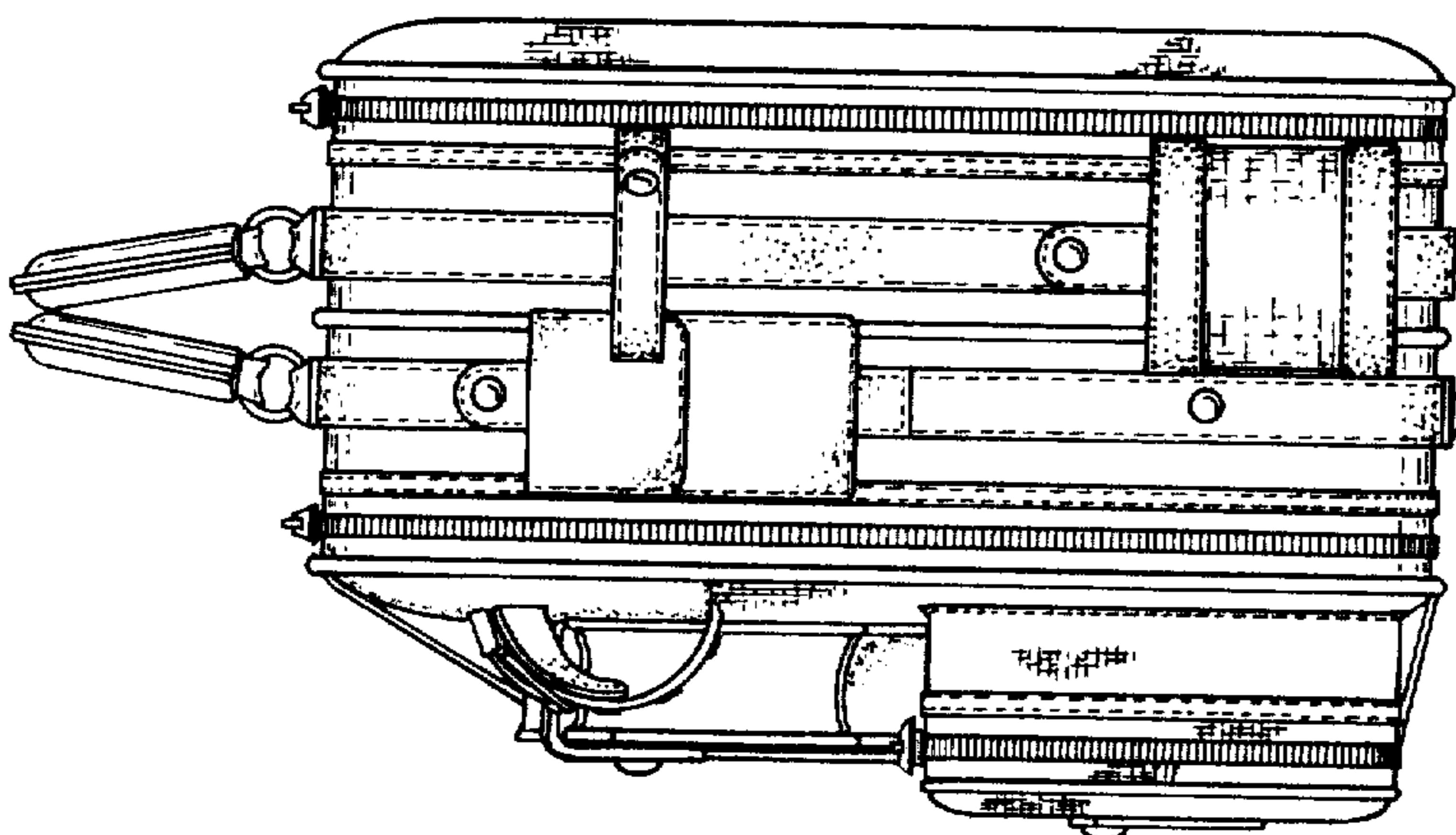


FIG.4

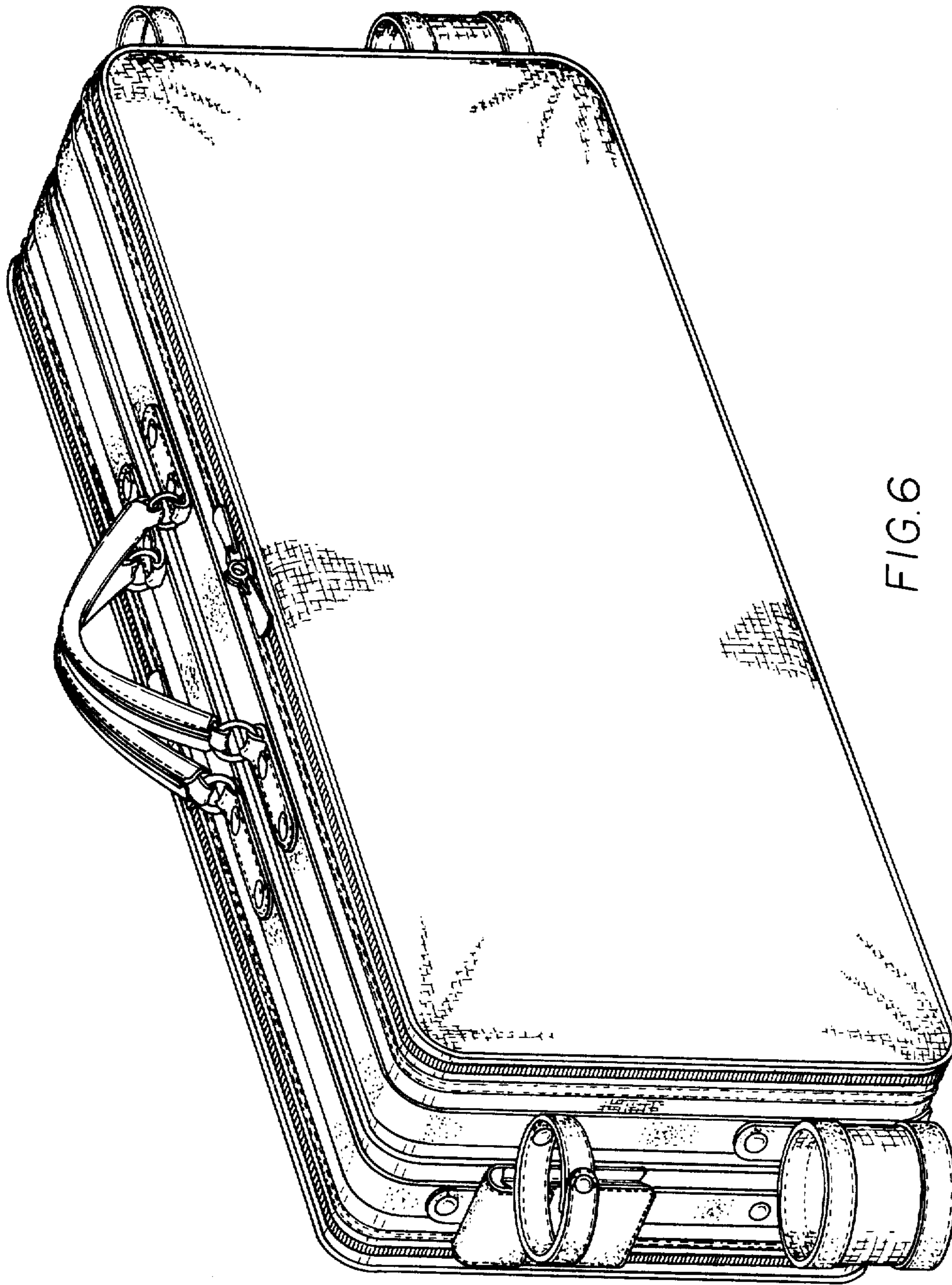


FIG. 6



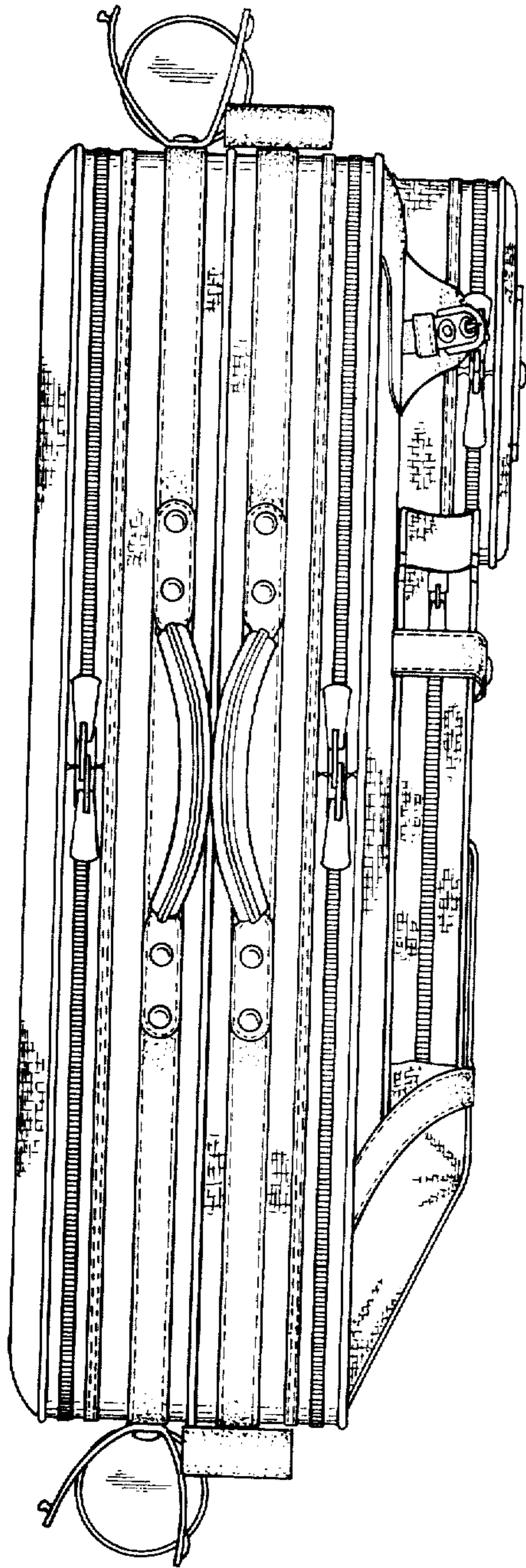


FIG. 7

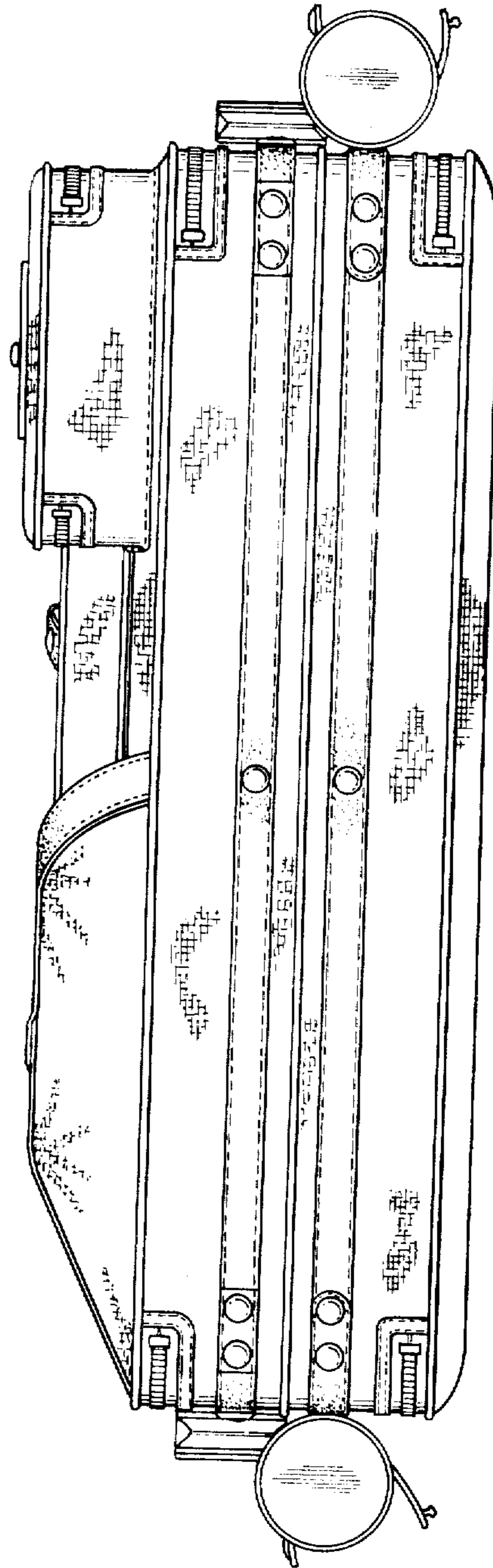


FIG. 8



FIG. 9