

[54] FIRE STOP

[75] Inventor: Richard S. Wilson, Oceanside, Calif.

[73] Assignee: Brand Insulations, Inc., Park Ridge, Ill.

[**] Term: 14 Years

[21] Appl. No.: 31,061

[22] Filed: Apr. 18, 1979

[51] Int. Cl. D29-01

[52] U.S. Cl. D29/1

[58] Field of Search D29/1, 2, 5; 220/88 R, 220/88 A; 169/34, 48; 52/317

[56] References Cited

U.S. PATENT DOCUMENTS

- 2,994,114 8/1961 Black 52/317
- 3,334,461 8/1967 York 52/317

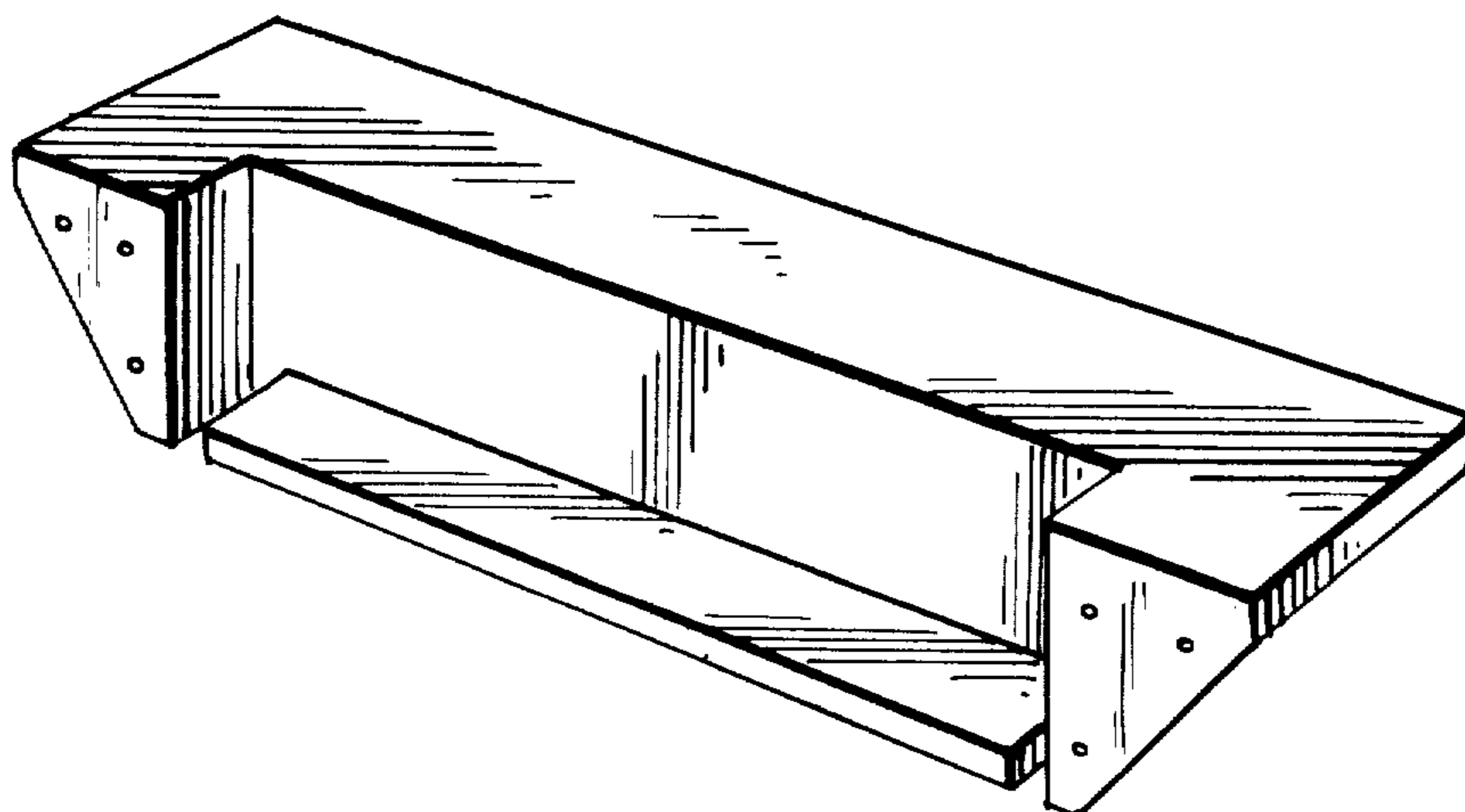
Primary Examiner—Catherine E. Kemper
Attorney, Agent, or Firm—Dressler, Goldsmith, Shore, Sutker & Milnamow, Ltd.

[57] CLAIM

The ornamental design for a fire stop, as shown and described.

DESCRIPTION

FIG. 1 is a perspective view of a fire stop showing my new design;
 FIG. 2 is a right side elevation thereof, the left side being a mirror image thereof;
 FIG. 3 is a plan view thereof;
 FIG. 4 is a front view thereof;
 FIG. 5 is a rear view thereof;
 FIG. 6 is a bottom view thereof;
 FIG. 7 is a perspective view of a second embodiment of a fire stop, wherein the only difference resides in the elimination of the central front piece.



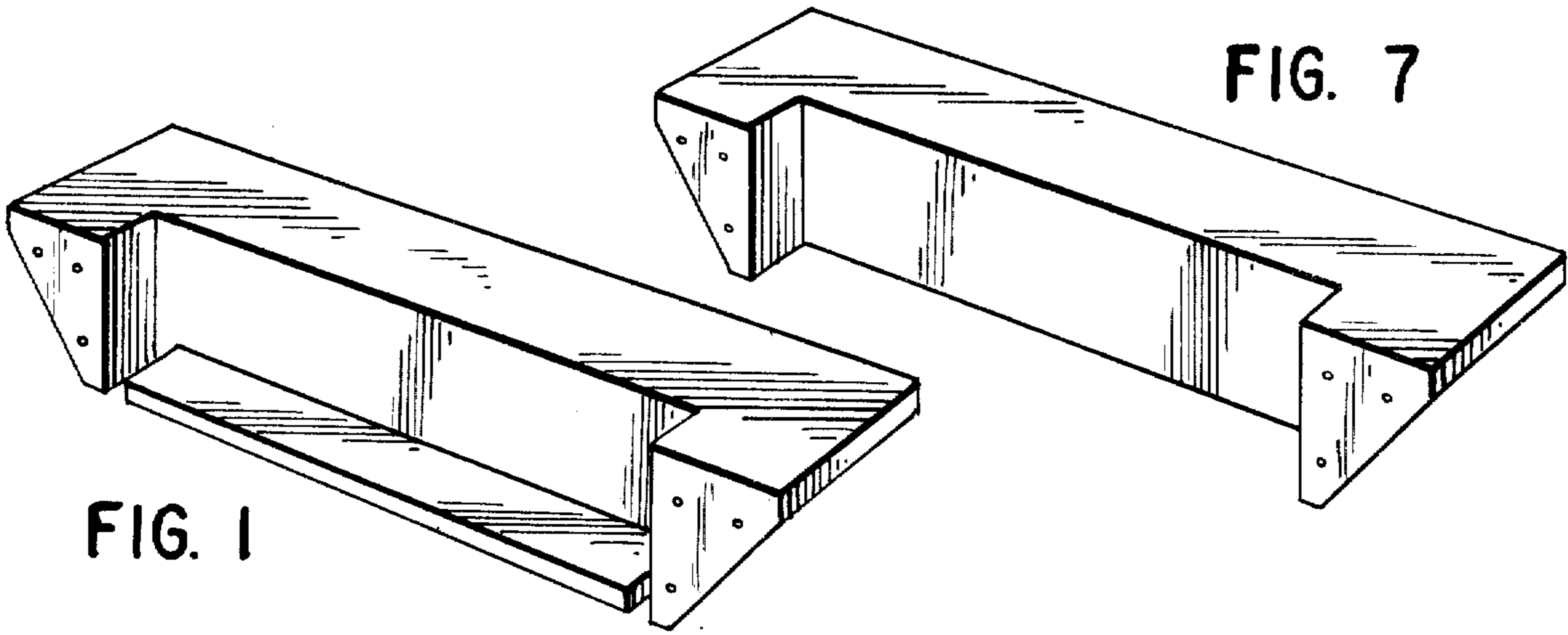


FIG. 1

FIG. 7

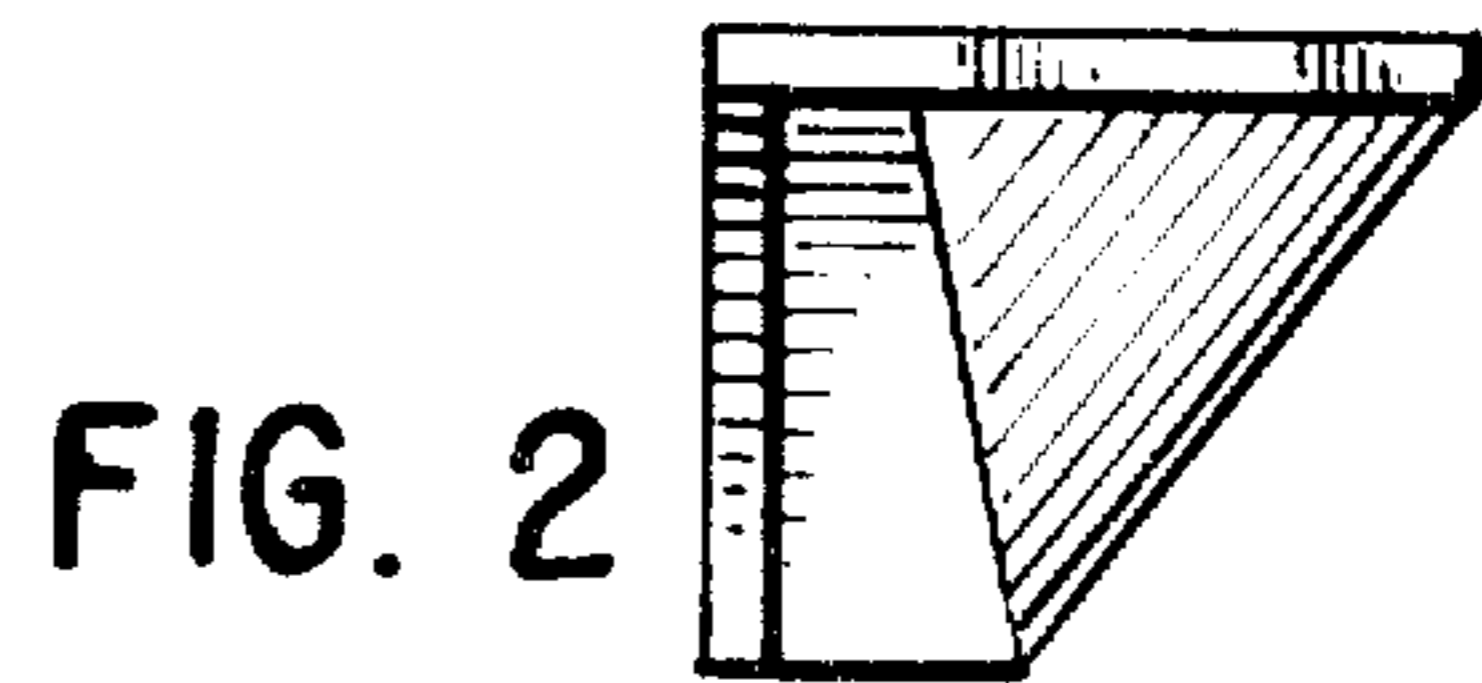


FIG. 2

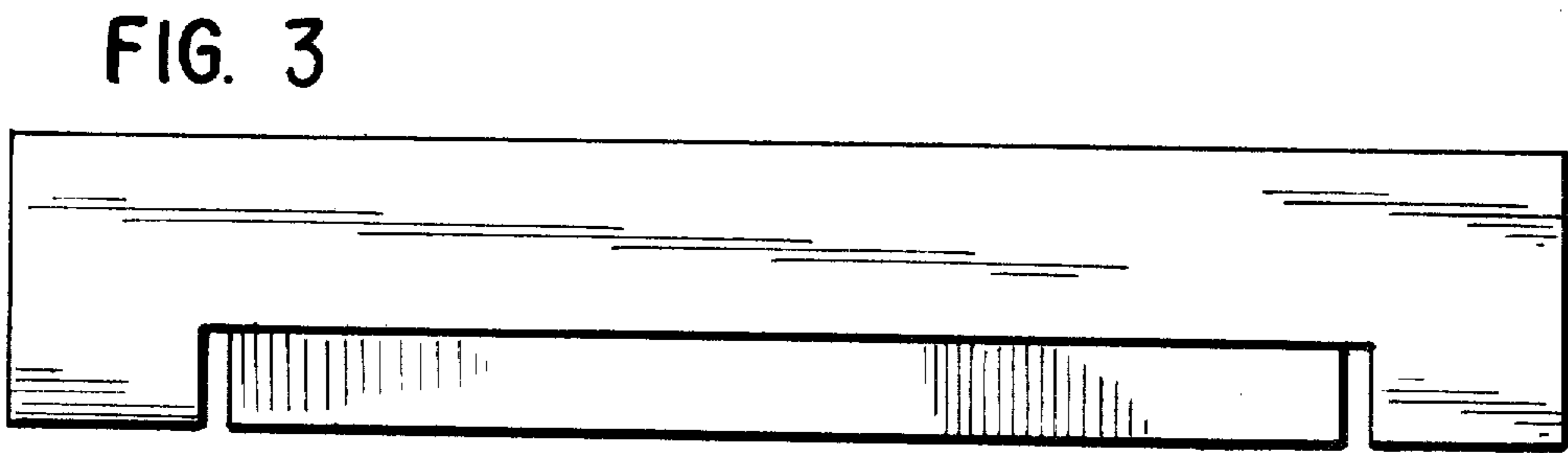


FIG. 3

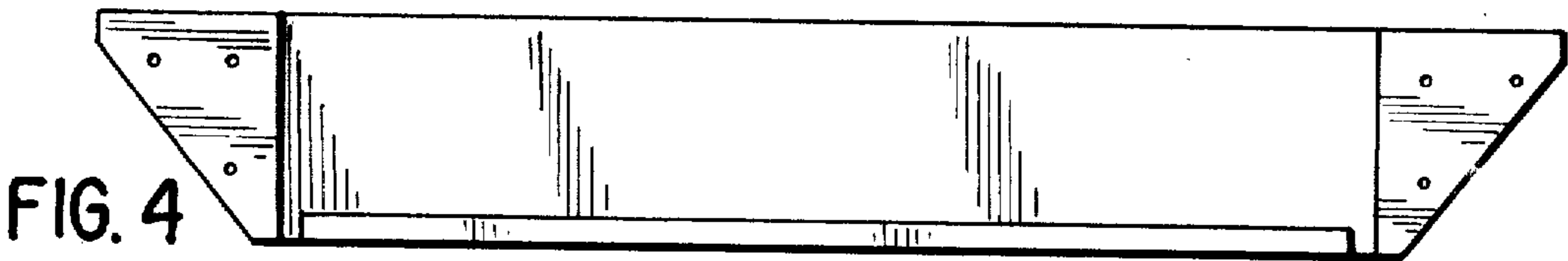


FIG. 4

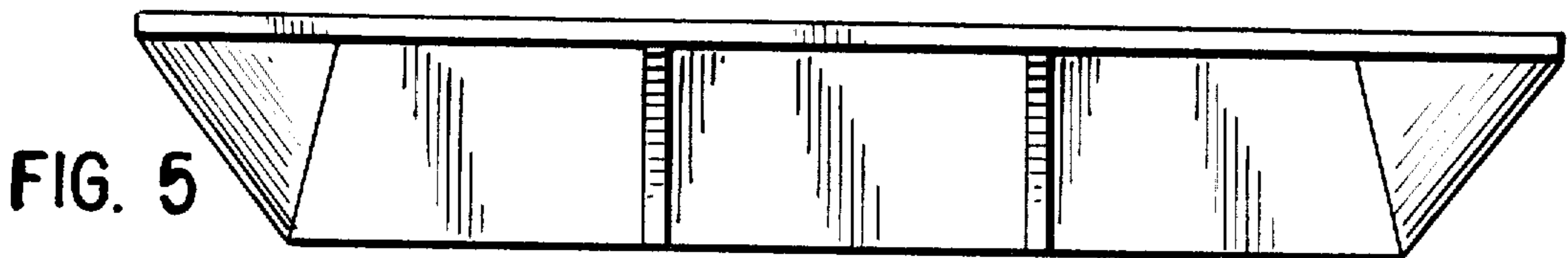


FIG. 5

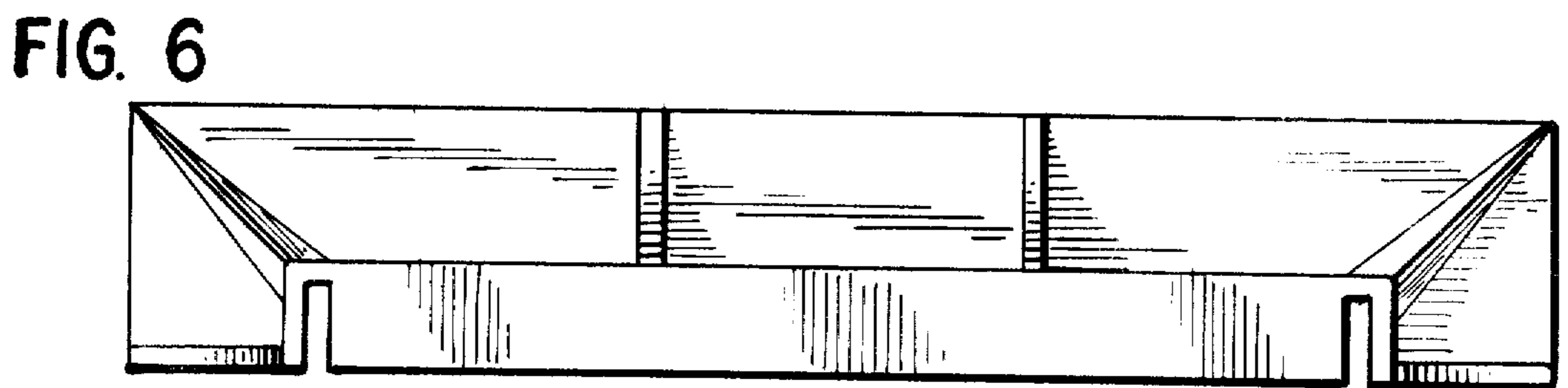


FIG. 6