

[54] HAIR DRYER

[75] Inventor: **Wilhelmus G. E. Janssens**, Drachten,
Netherlands

[73] Assignee: **U.S. Philips Corporation**, New York,
N.Y.

[**] Term: **14 Years**

[21] Appl. No.: **46,573**

[22] Filed: **Jun. 7, 1979**

[30] **Foreign Application Priority Data**

Dec. 13, 1978 [GB] United Kingdom 987652/78

[51] Int. Cl. **D28-03**

[52] U.S. Cl. **D28/13**

[58] Field of Search D28/9, 10, 12-18;
219/222; 132/7, 9; 34/96-98

[56] **References Cited**

U.S. PATENT DOCUMENTS

D. 254,690 4/1980 Rakocy et al. D28/13
D. 255,052 5/1980 Haase D28/13
4,195,217 3/1980 Möller et al. 34/97 X

OTHER PUBLICATIONS

Stile Industria, 12/1961, p. 26—Hair Drier at left.

Primary Examiner—Louis S. Zarfás
Attorney, Agent, or Firm—Thomas A. Briody; William
J. Streeter; Rolf E. Schneider

[57] **CLAIM**

The ornamental design for a hair dryer, as shown.

DESCRIPTION

FIG. 1 is a perspective view of a hair dryer showing my
new design;

FIG. 2 is a right side elevational view thereof;

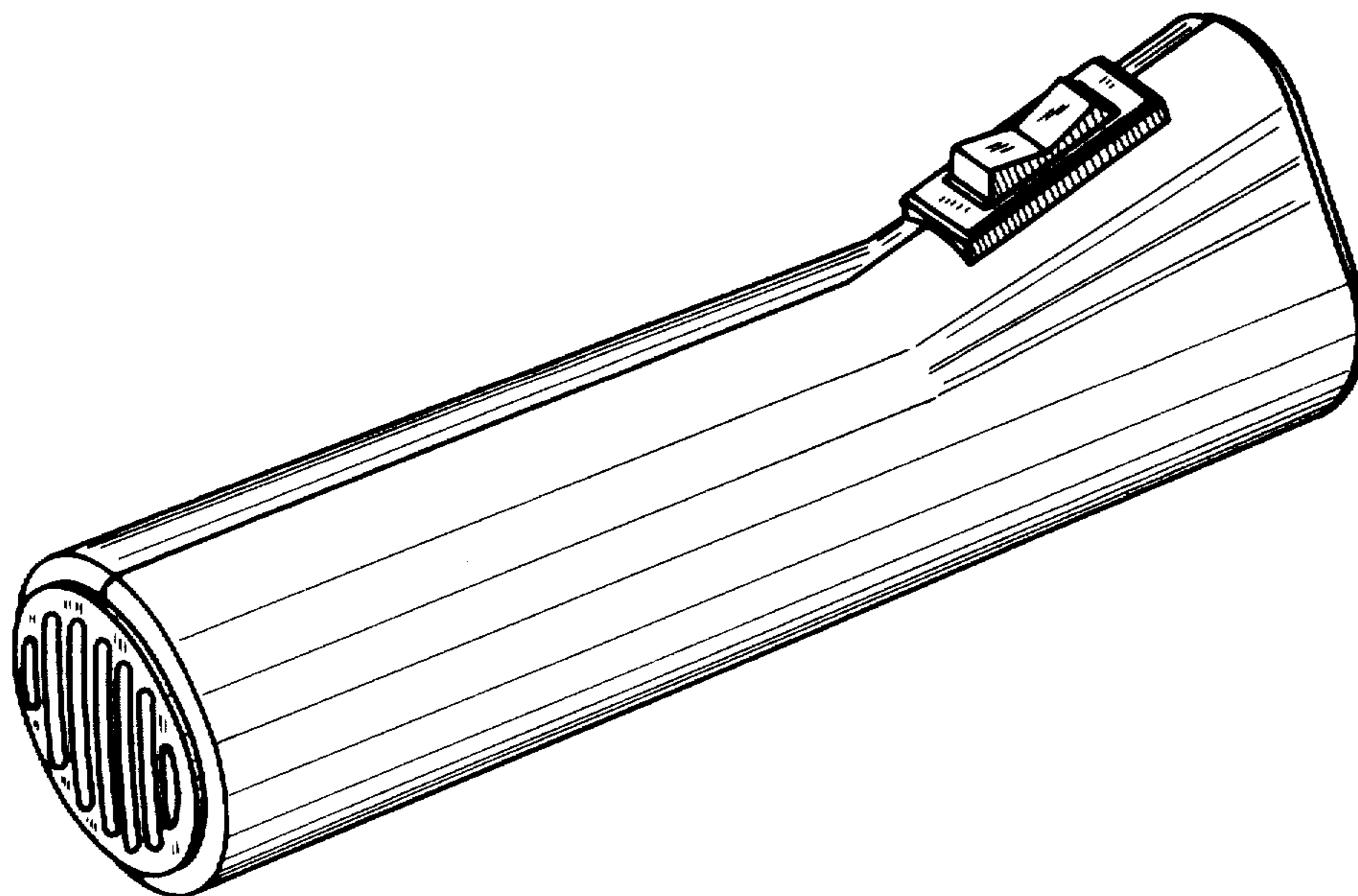
FIG. 3 is a left side elevational view thereof;

FIG. 4 is a top plan view thereof;

FIG. 5 is a bottom plan view thereof;

FIG. 6 is a front elevational view thereof; and

FIG. 7 is a rear elevational view thereof.



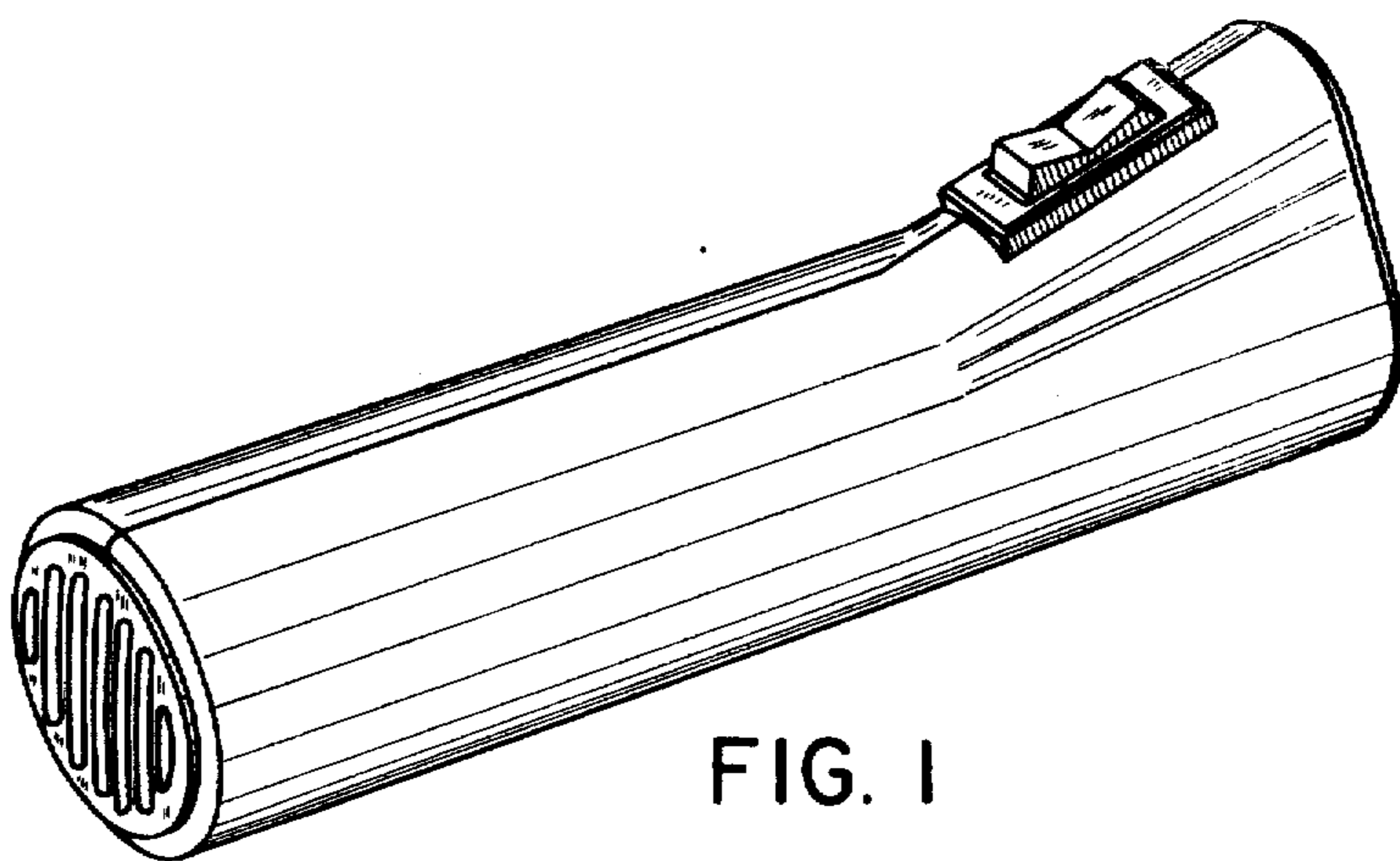


FIG. 1

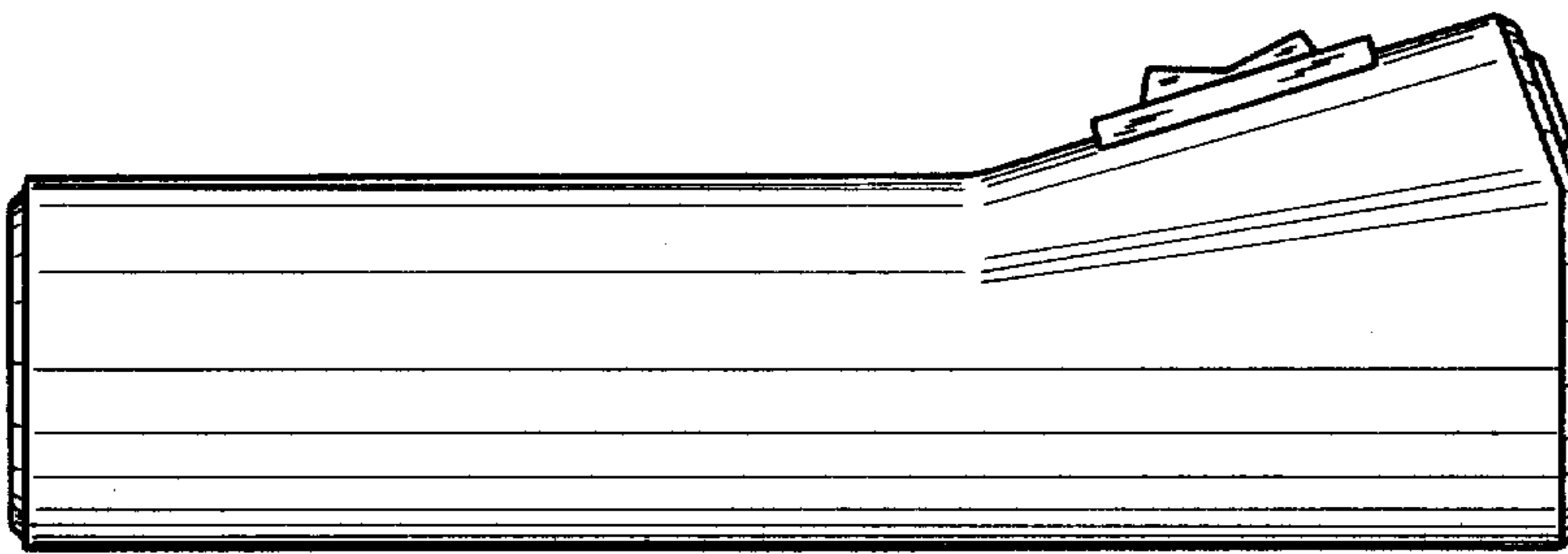


FIG. 2

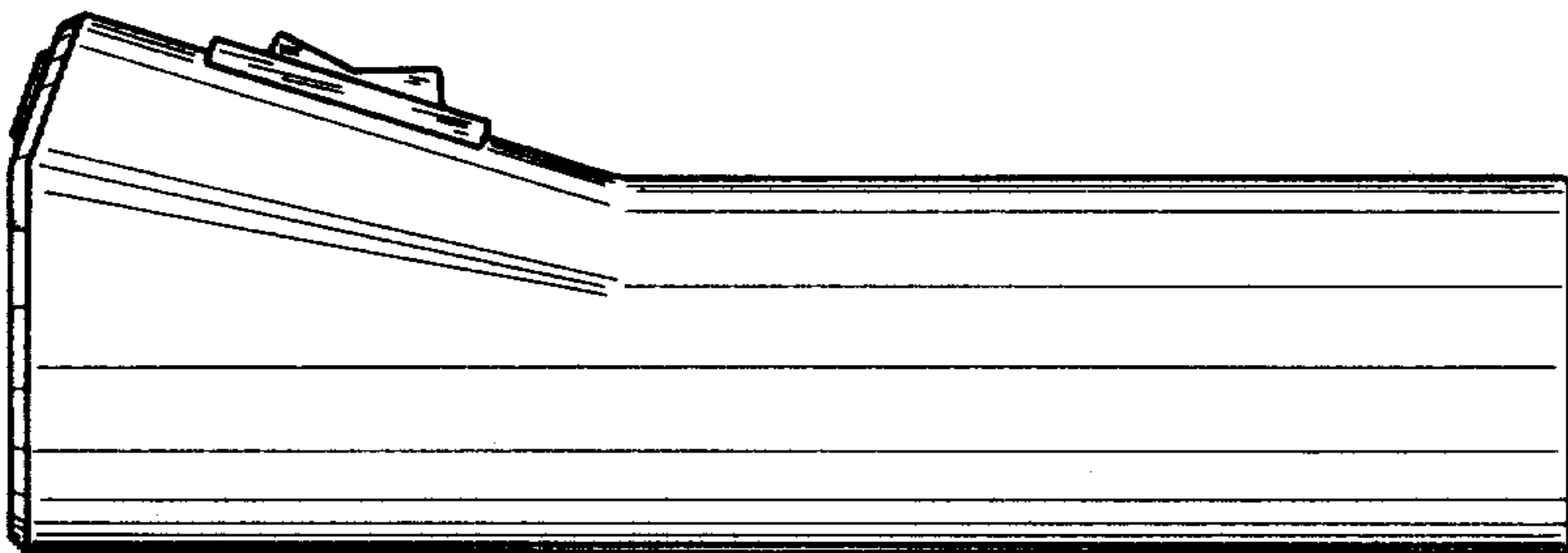


FIG. 3

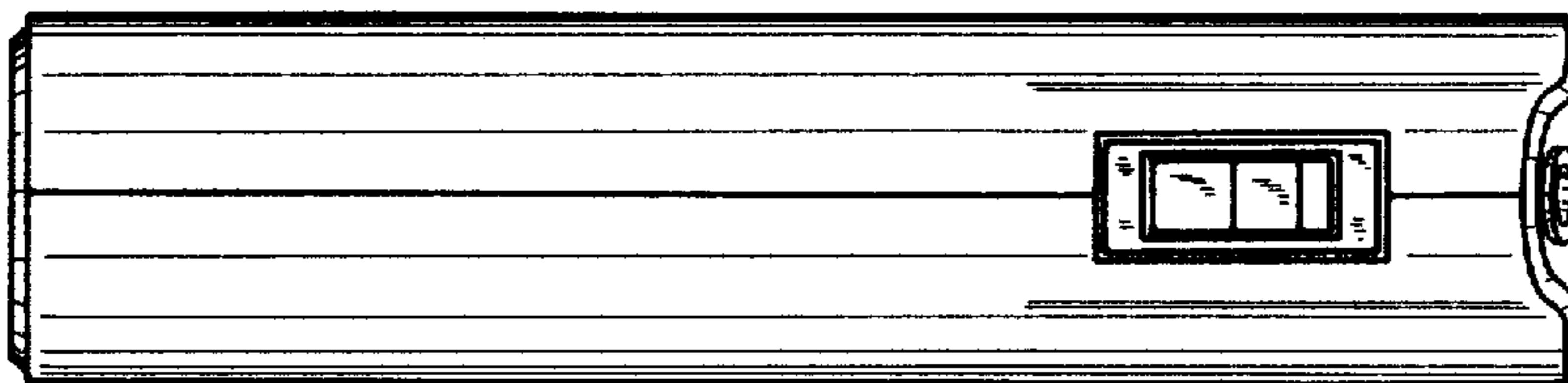


FIG. 4

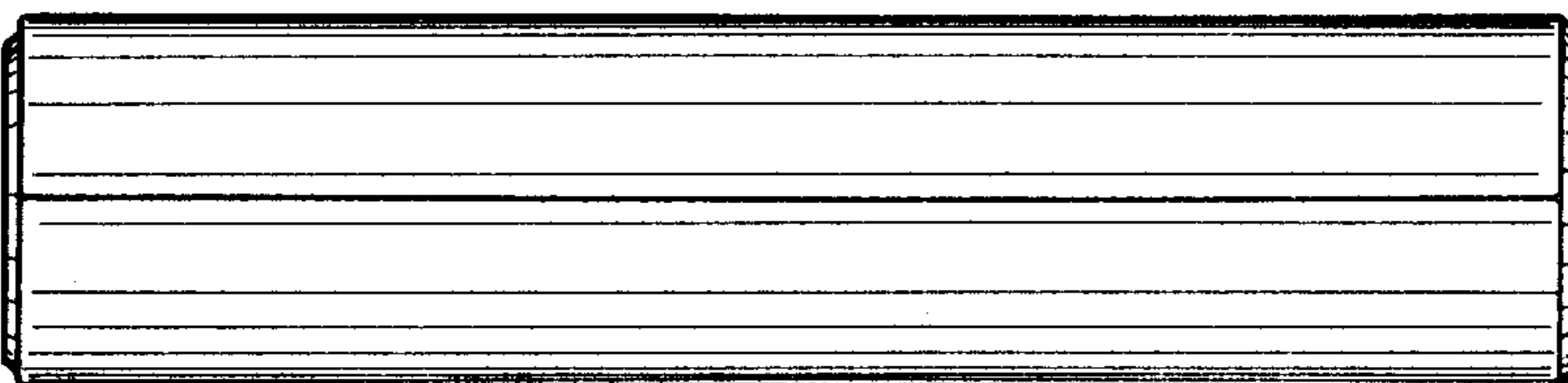


FIG. 5

FIG. 6

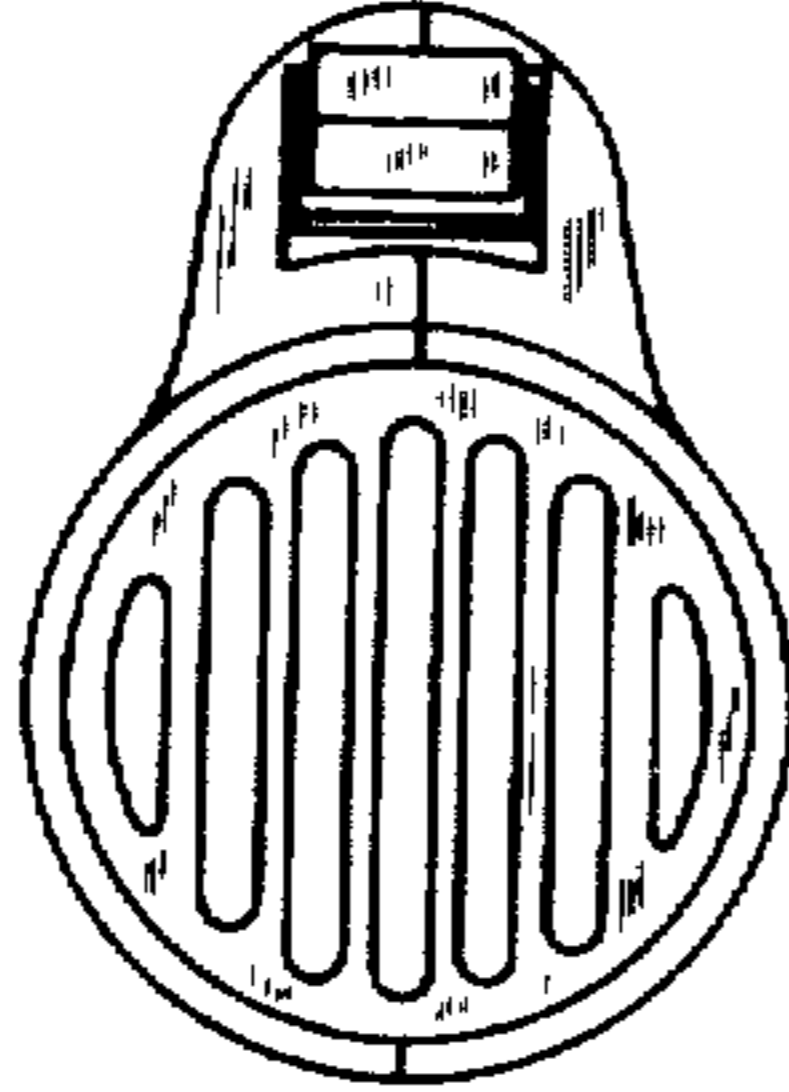


FIG. 7

