

[54] METAL MOLDING FOR DOOR JAMB OR SIMILAR ARTICLE

[75] Inventor: Donald L. Bittner, New Castle, Ind.

[73] Assignee: American Standard Inc., New York, N.Y.

[**] Term: 14 Years

[21] Appl. No.: 68,292

[22] Filed: Oct. 2, 1979

[51] Int. Cl. D25-01

[52] U.S. Cl. D25/74; D25/79

[58] Field of Search 52/716, 717, 718, 738, 52/204, 213; D25/73, 74, 75, 76, 79, 60

[56] References Cited

U.S. PATENT DOCUMENTS

- 3,173,225 3/1965 Goodwill et al. 52/738 X
- 3,394,044 7/1968 Bright 52/716 X

Primary Examiner—A. Hugo Word
Attorney, Agent, or Firm—James J. Salerno, Jr.; Robert G. Crooks; John P. Sinnott

[57] CLAIM

The ornamental design for a metal molding for door jamb or similar article, substantially as shown and described.

DESCRIPTION

FIG. 1 is a three-dimensional view of a metal molding for door jamb or similar article embodying my new design as seen from the front, top and one side thereof; FIG. 2 is a three-dimensional view similar to that of FIG. 1 but as seen from front, bottom and other side thereof, the metal molding being of indeterminate length;

The metal molding for door jamb or similar article has been shown in dot and dash lines on one end thereof in FIGS. 1, and 2 to indicate indeterminate length.

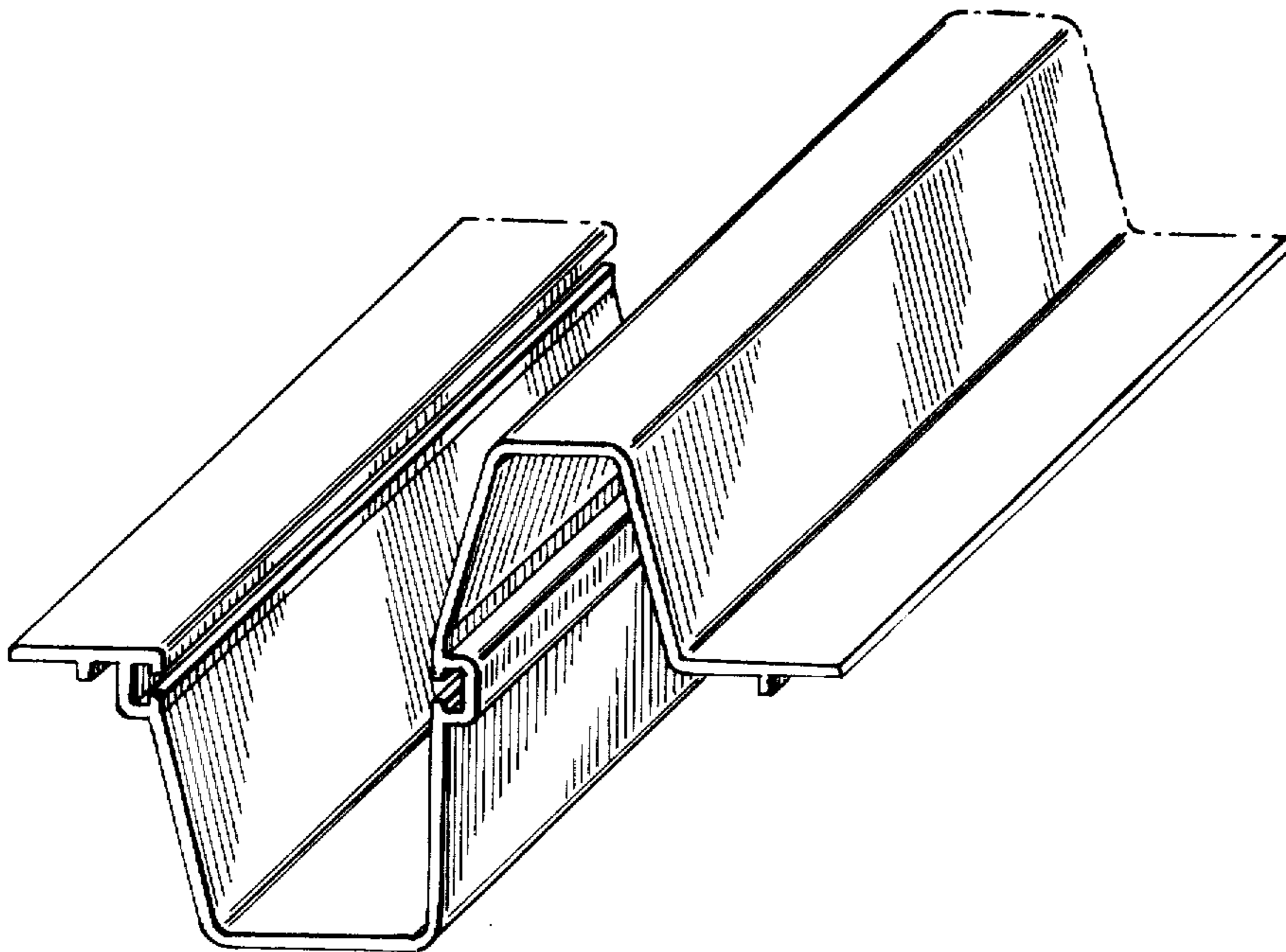


FIG. 1

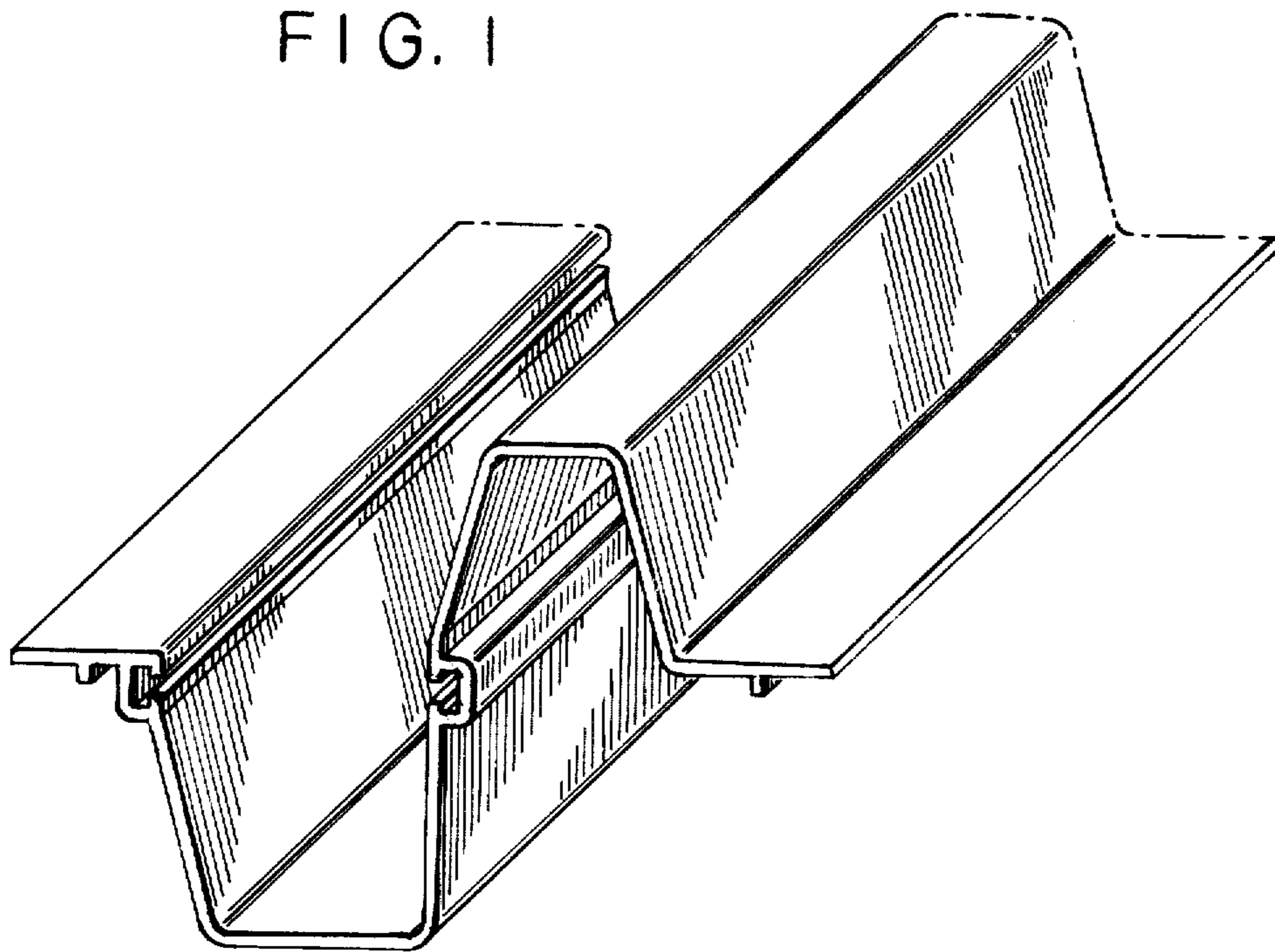


FIG. 2

