

[54] **TRANSPARENT LABORATORY SLIDE**
 [75] Inventor: **James E. Parker**, Long Beach, Calif.
 [73] Assignee: **ICL/Scientific**, Fountain Valley, Calif.
 [51] Int. Cl. **D24—02**
 [52] U.S. Cl. **D24/99; D16/131; D24/8**
 [58] Field of Search 350/92, 95; 331/94.5 L; D24/16, 8, 25, 29, 99; D16/83, 57; 356/244

4,022,521 5/1977 Hall et al. 350/92 X

Primary Examiner—Bernard Ansher
Attorney, Agent, or Firm—Fulwider, Patton, Rieber, Lee & Utecht

[**] Term: **14 Years**
 [21] Appl. No.: **41,748**
 [22] Filed: **May 23, 1979**

[57] **CLAIM**

The ornamental design for a transparent laboratory slide, substantially as shown.

DESCRIPTION

FIG. 1 is a perspective view of a transparent laboratory slide, showing my new design;
 FIG. 2 is a bottom plan view of FIG. 1;
 FIG. 3 is an elevational view taken substantially in the direction of arrow 3 in FIG. 1;
 FIG. 4 is an end elevational view taken substantially in the direction of arrow 4 of FIG. 1;
 FIG. 5 is a sectional view taken substantially along the line 5—5 of FIG. 1; and
 FIG. 6 is a sectional view taken substantially along line 6—6 of FIG. 1.

[56] **References Cited**

U.S. PATENT DOCUMENTS

D. 239,548 4/1976 Schiff et al. D24/99
 3,481,659 12/1969 Rosenberg 350/95
 3,777,283 12/1973 Elkins 350/95 X

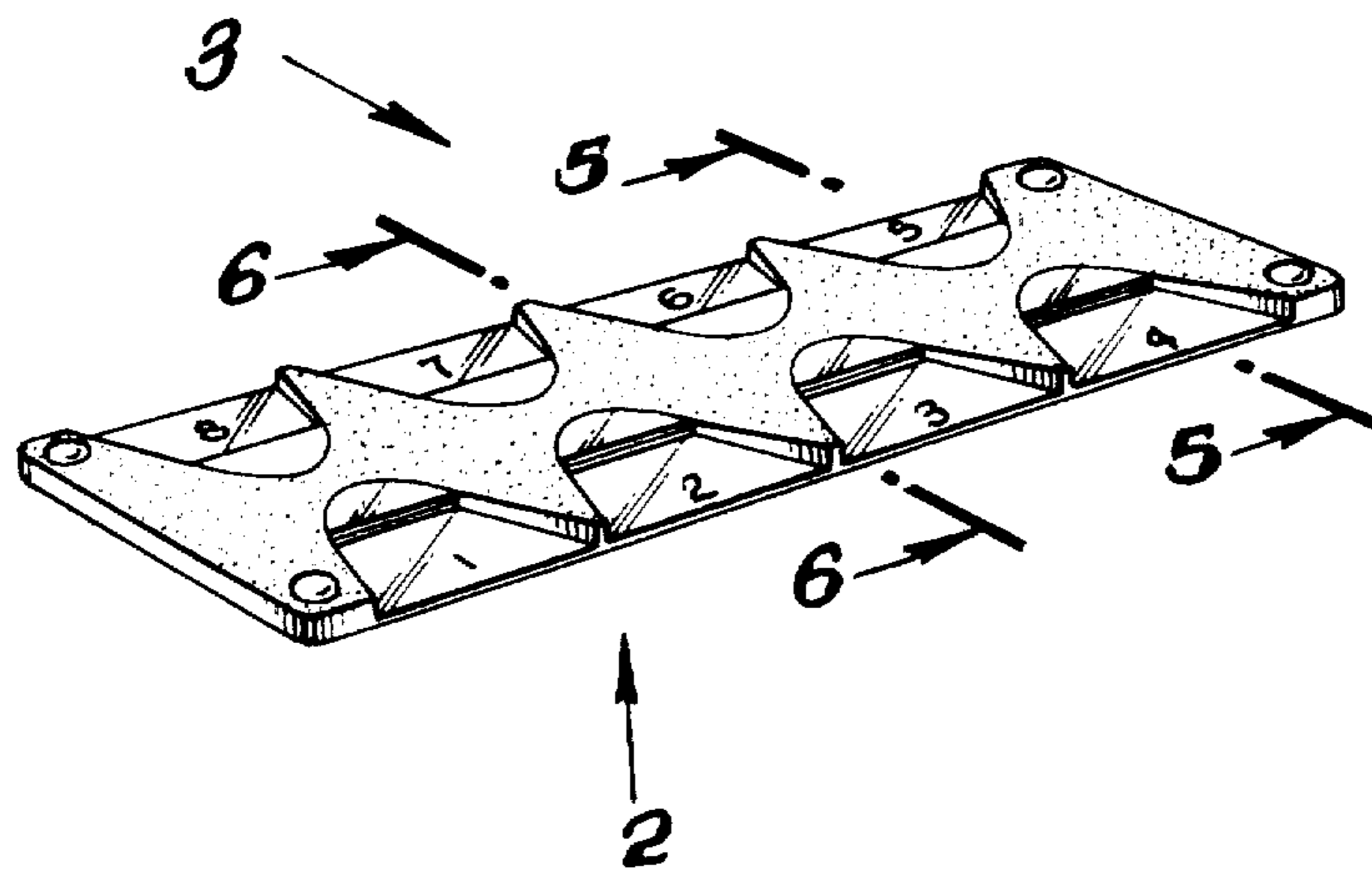


FIG. 1.

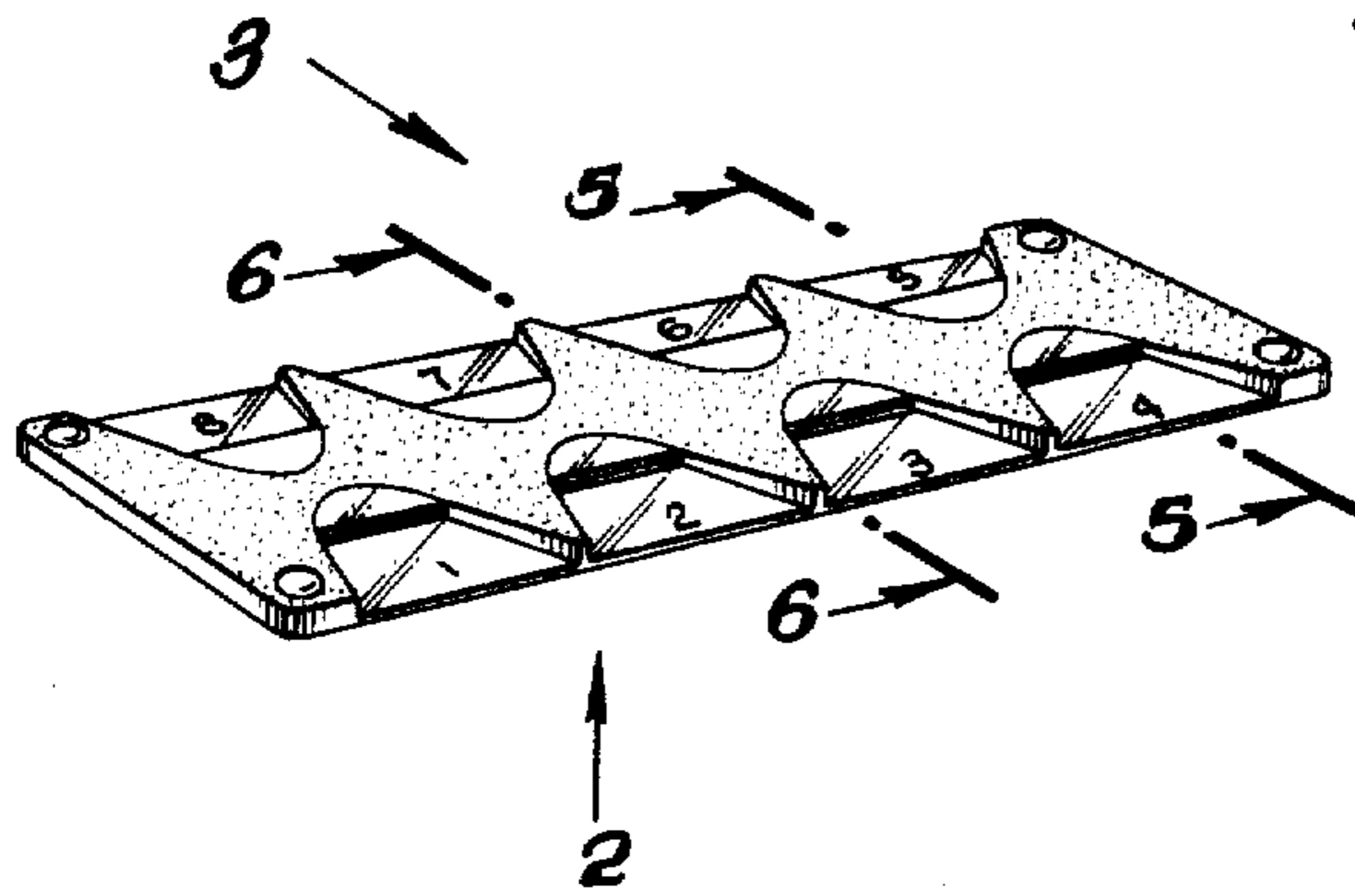


FIG. 2.

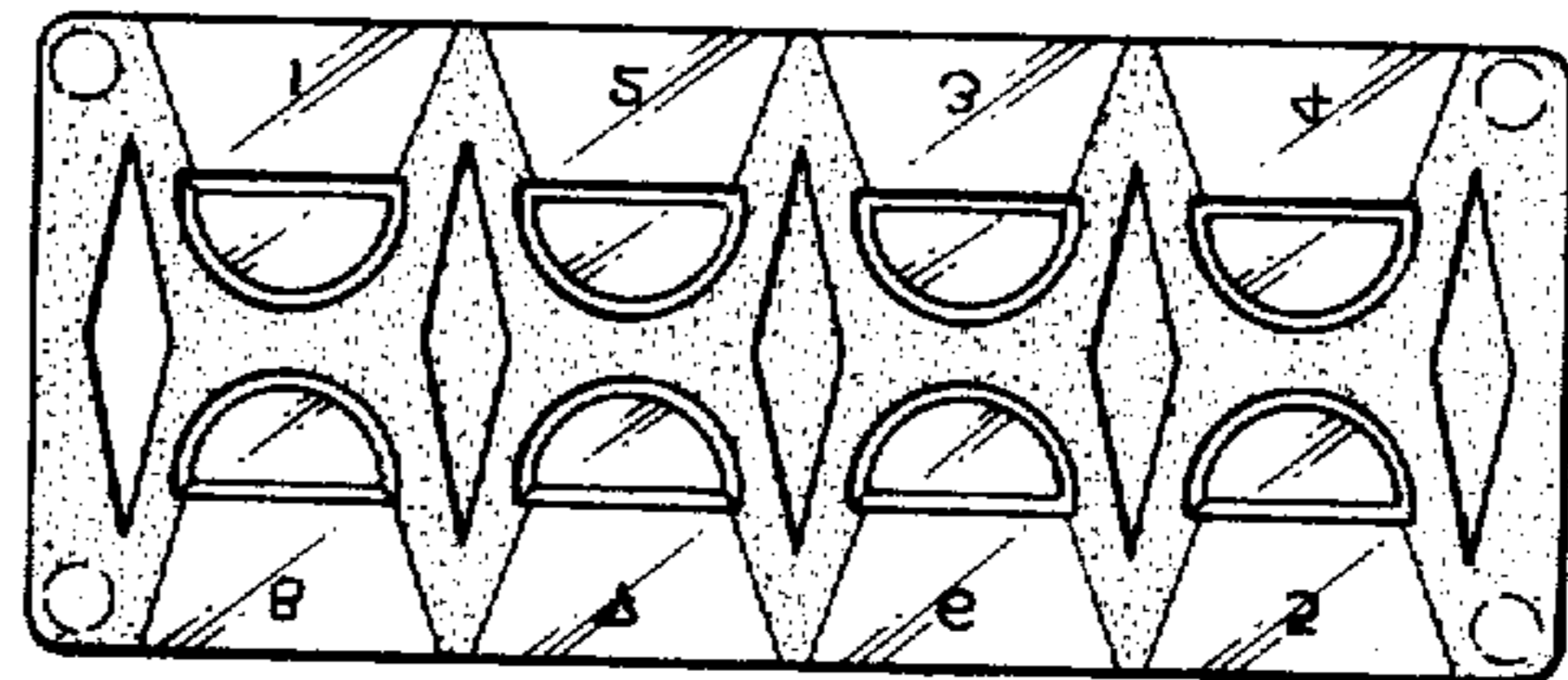


FIG. 4.



FIG. 3.



FIG. 5.



FIG. 6.

