

[54] TOY TRACKWAY HAVING MOVING ANIMATED COMPONENTS

[75] Inventor: Yuji Kato, Tokyo, Japan  
[73] Assignee: Tomy Kogyo Co., Inc., Tokyo, Japan  
[\*\*] Term: 14 Years  
[21] Appl. No.: 67,824  
[22] Filed: Aug. 20, 1979

[51] Int. Cl. .... D21-01  
[52] U.S. Cl. .... D21/143  
[58] Field of Search ..... D21/143, 150; 46/216, 46/122

[56] References Cited  
U.S. PATENT DOCUMENTS  
D. 224,089 7/1972 Takeuchi ..... D21/143

OTHER PUBLICATIONS

Montgomery Ward 1973 Xmas Cat., p. 277, top, Play World Train.

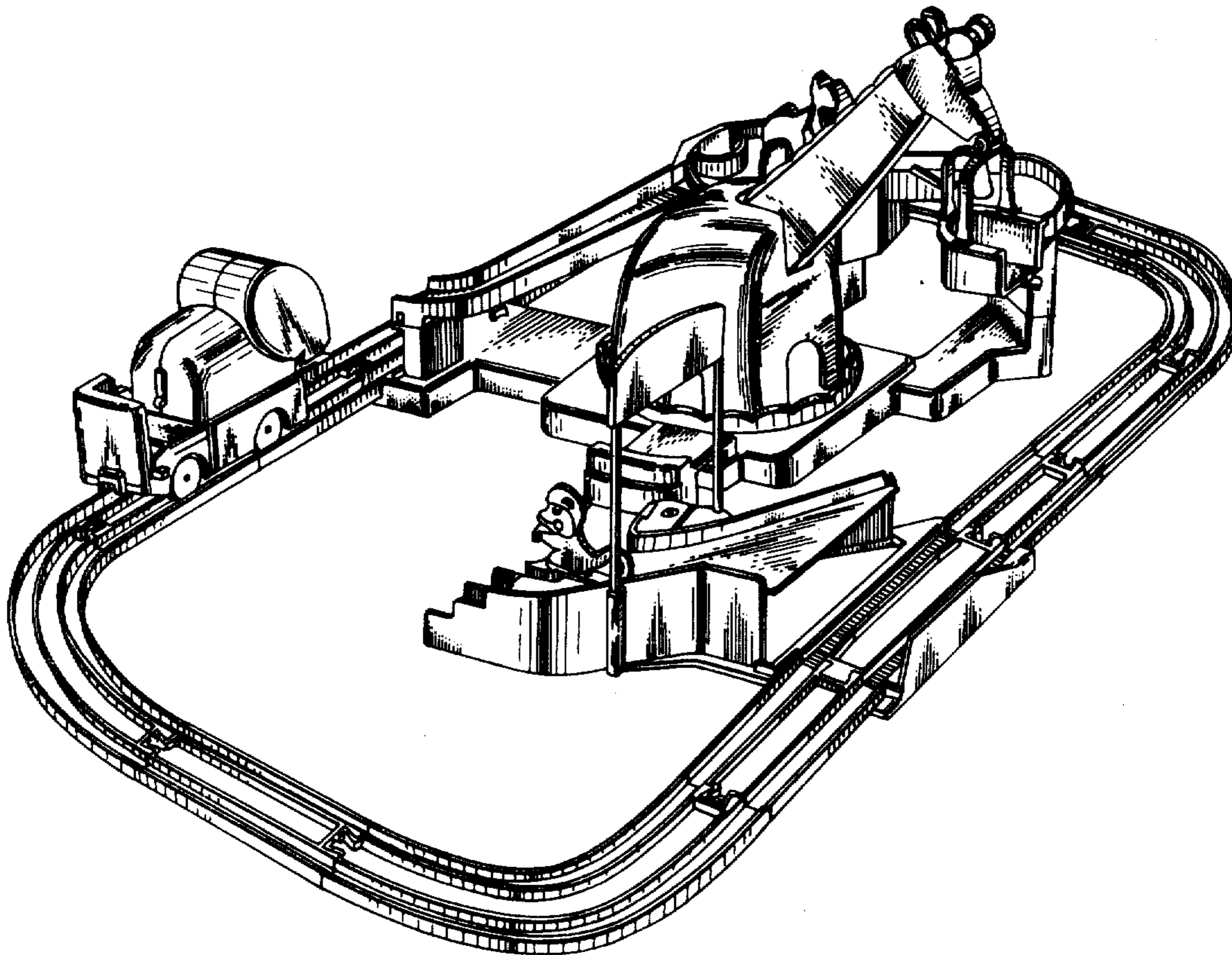
Primary Examiner—Melvin B. Feifer  
Attorney, Agent, or Firm—K. H. Boswell; Edward D. O'Brian

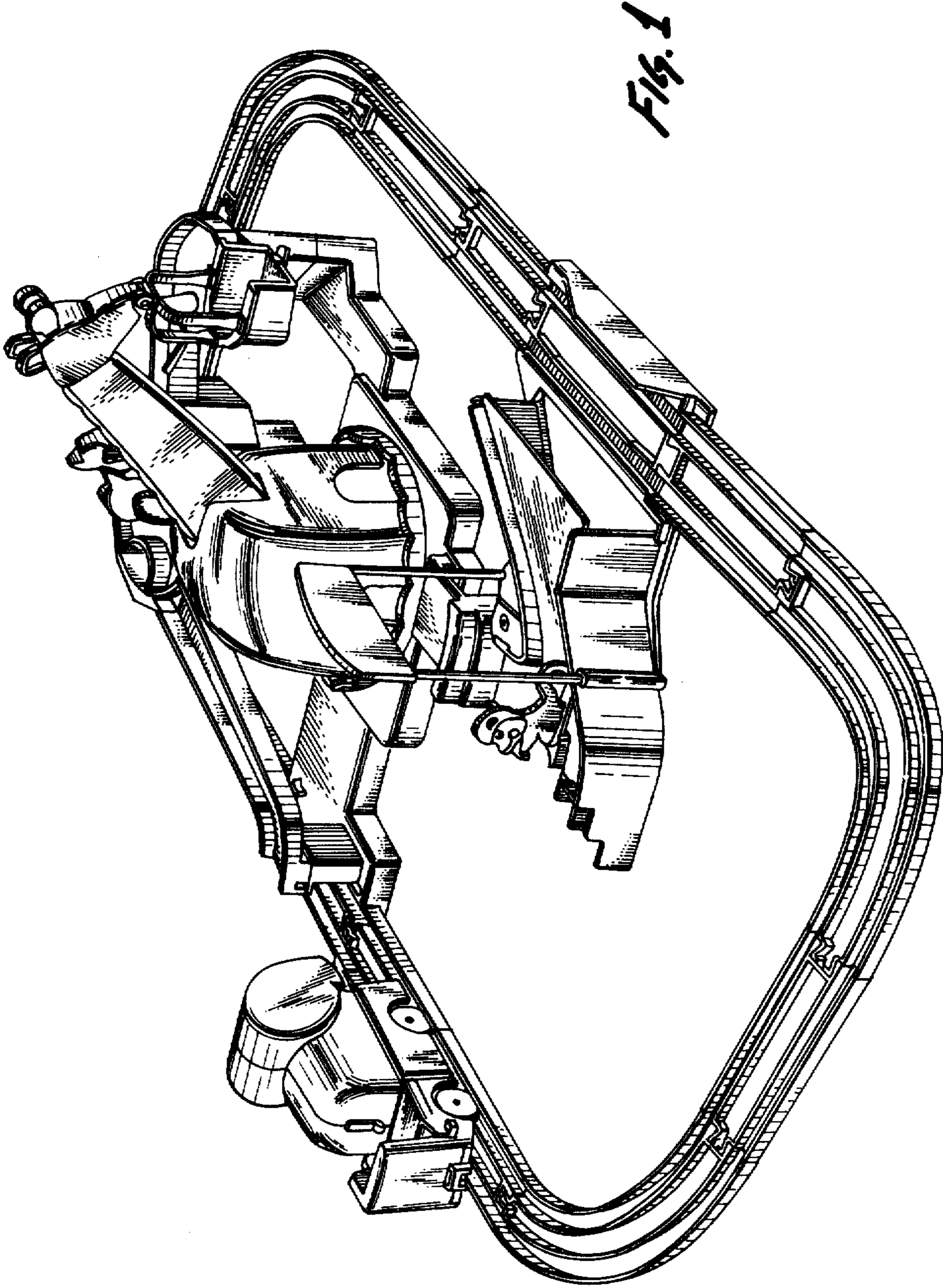
[57] CLAIM

The ornamental design for a toy trackway having moving animated components, substantially as shown and described.

DESCRIPTION

FIG. 1 is a top perspective view of a toy trackway having moving animated components showing my new design;  
FIG. 2 is a top perspective view of the opposite side of FIG. 1;  
FIG. 3 is a top plan view thereof; and  
FIG. 4 is a bottom plan view.





*Fig. 2*

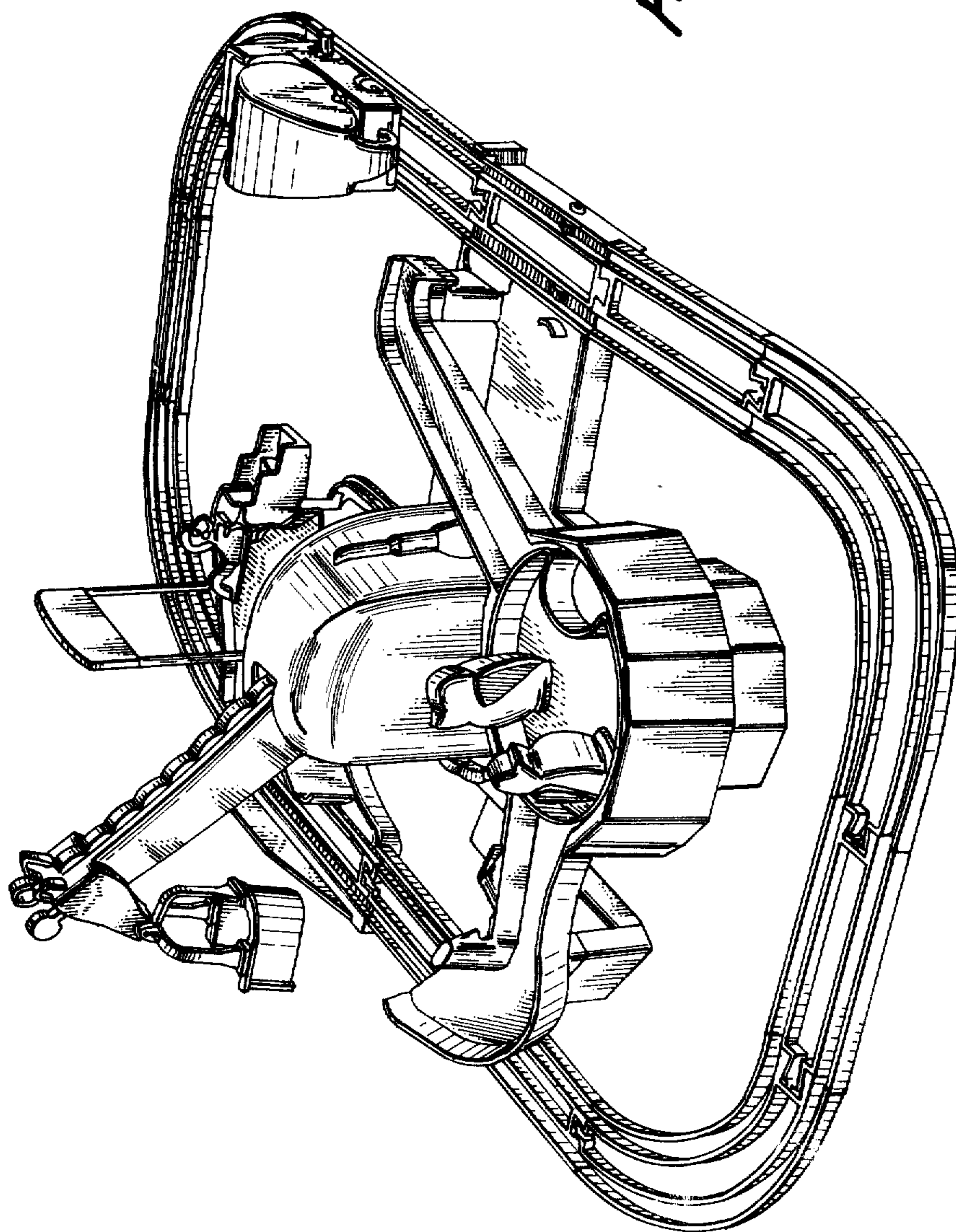
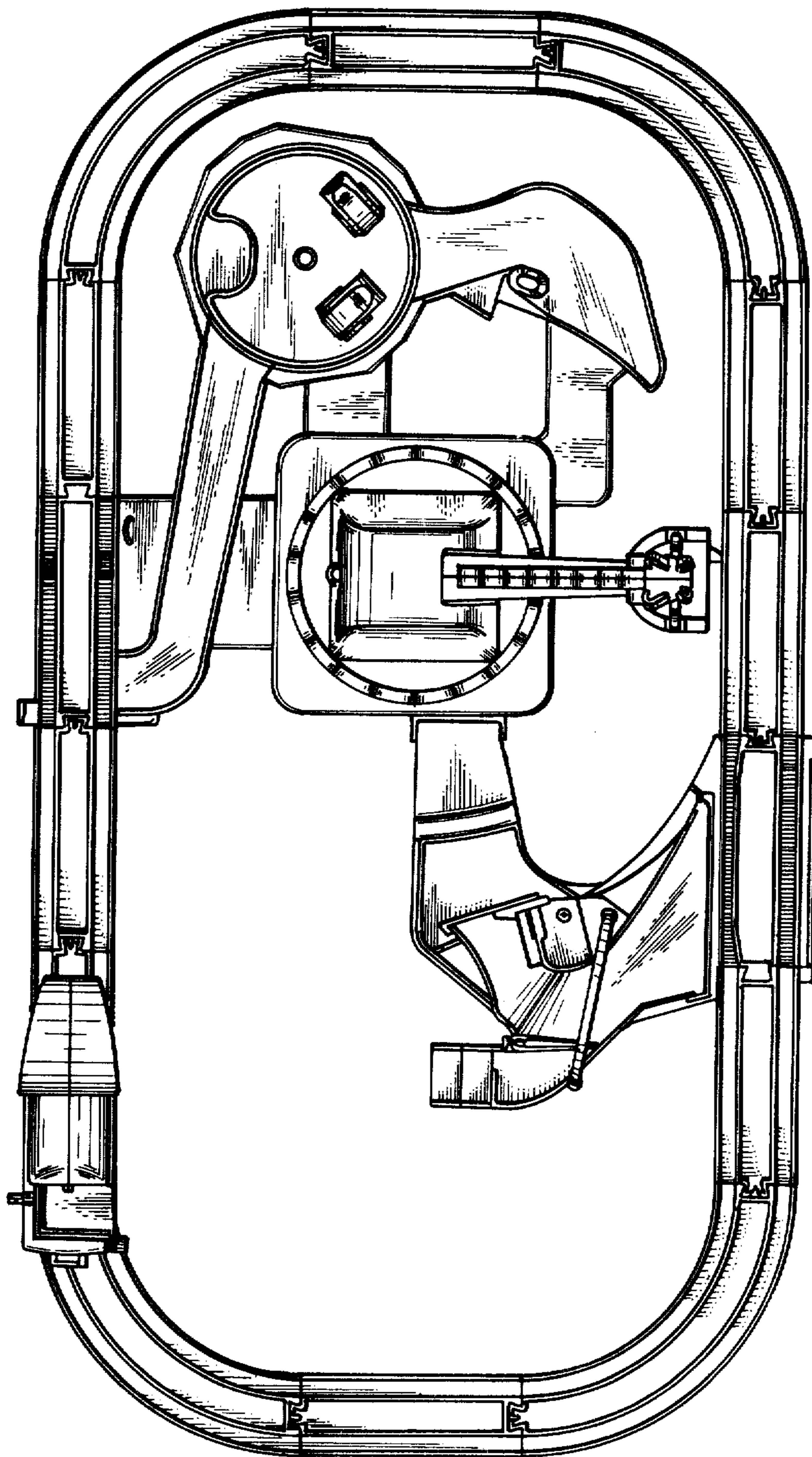


Fig. 3



*Fig. 4*

