

[54] BLOCK TOY

[75] Inventors: Shinroku Nakao, Yokohama; Yoshiyasu Ishii; Kenshun Ishii, both of Tokyo, all of Japan

[73] Assignee: Combi Co., Ltd., Tokyo, Japan

[**] Term: 14 Years

[21] Appl. No.: 60,302

[22] Filed: Jul. 25, 1979

[51] Int. Cl. D21-01

[52] U.S. Cl. D21/108; D21/128

[58] Field of Search D21/76, 78, 79, 81, D21/128, 132, 135, 108; D12/34, 32; 46/201, 204, 206, 210, 214, 221, 222, 223

[56] References Cited

U.S. PATENT DOCUMENTS

4,222,181 9/1980 Cummings 46/201

OTHER PUBLICATIONS

Johnson & Co. Flier, 3-1949, "Midget Seeder".

Yachting, 9-1976, p. 42, Item #2, Dolly.

Primary Examiner—Charles A. Rademaker
Attorney, Agent, or Firm—Sughrue, Mion, Zinn, Macpeak and Seas

[57] CLAIM

The ornamental design for a block toy, as shown and described.

DESCRIPTION

FIG. 1 is a front, top and left side perspective view of a block toy showing our new design; FIG. 2 is a front elevational view thereof; FIG. 3 is a right side elevational view thereof; FIG. 4 is a top plan view thereof; FIG. 5 is a bottom plan view thereof; FIG. 6 is a rear elevational view thereof; FIG. 7 is a front, top and left side perspective view of a second embodiment thereof; FIG. 8 is a front elevational view thereof; FIG. 9 is a right side elevational view thereof; FIG. 10 is a top plan view thereof; FIG. 11 is a top plan view thereof; and FIG. 12 is a rear elevational view thereof.

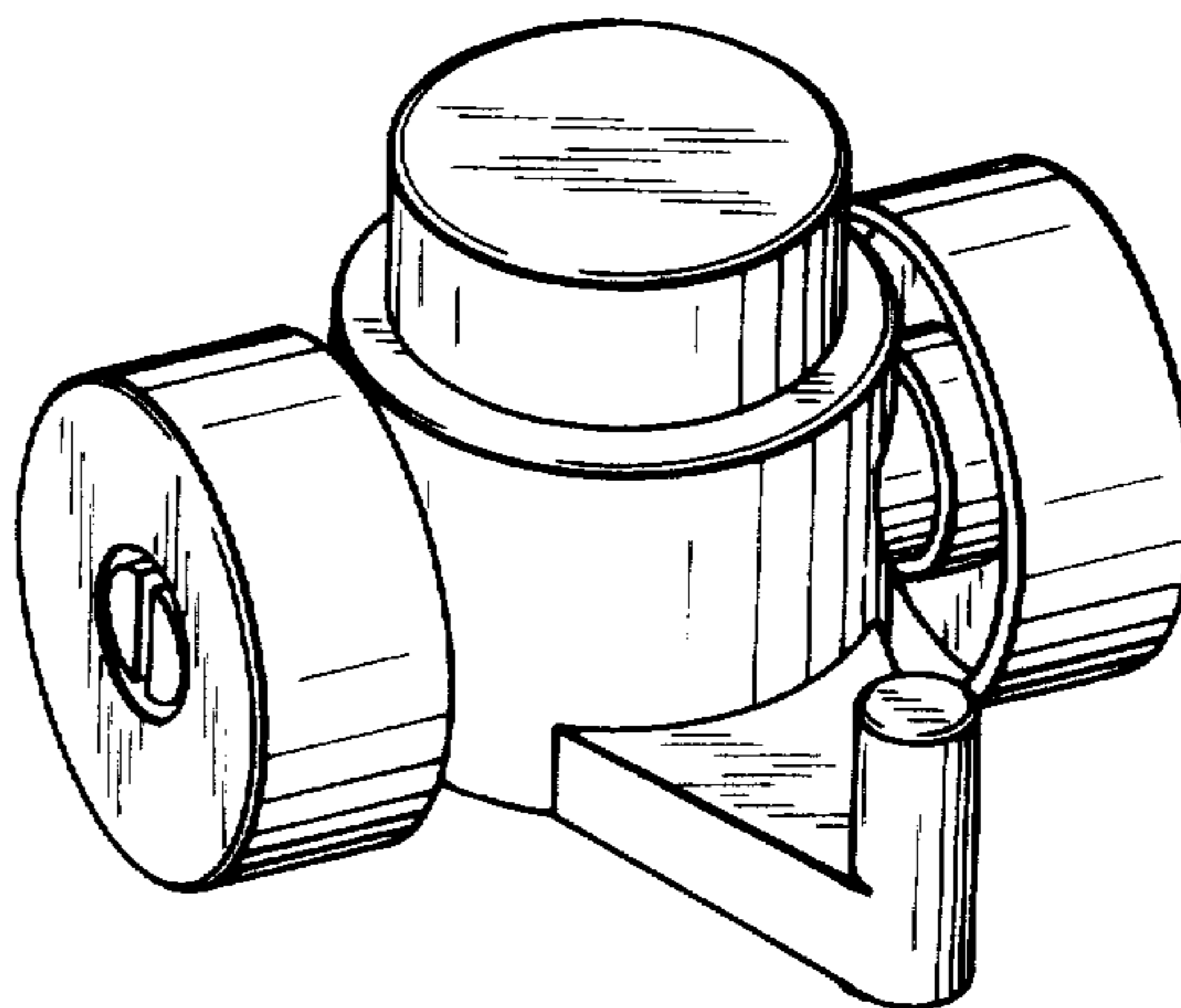
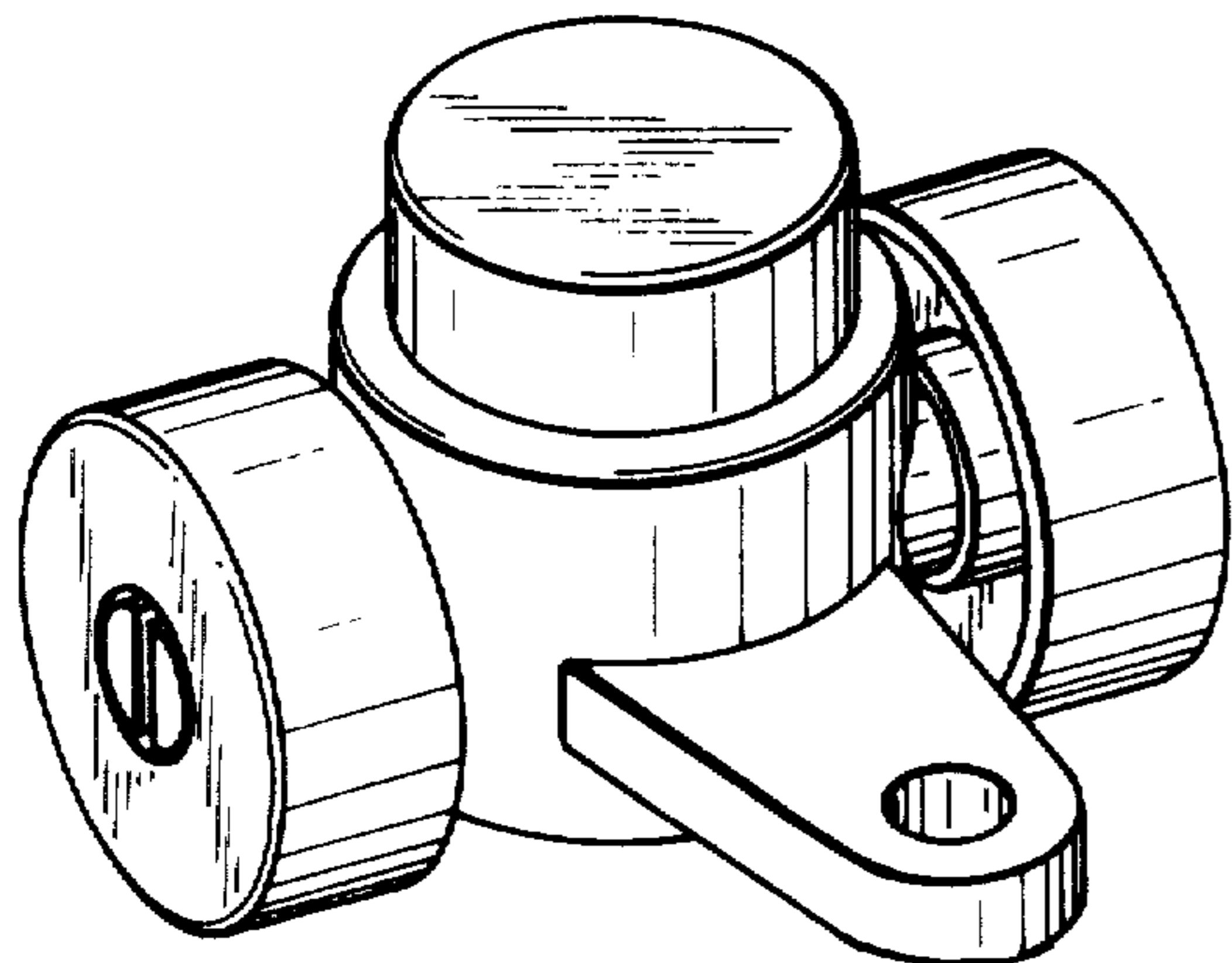


FIG. 1

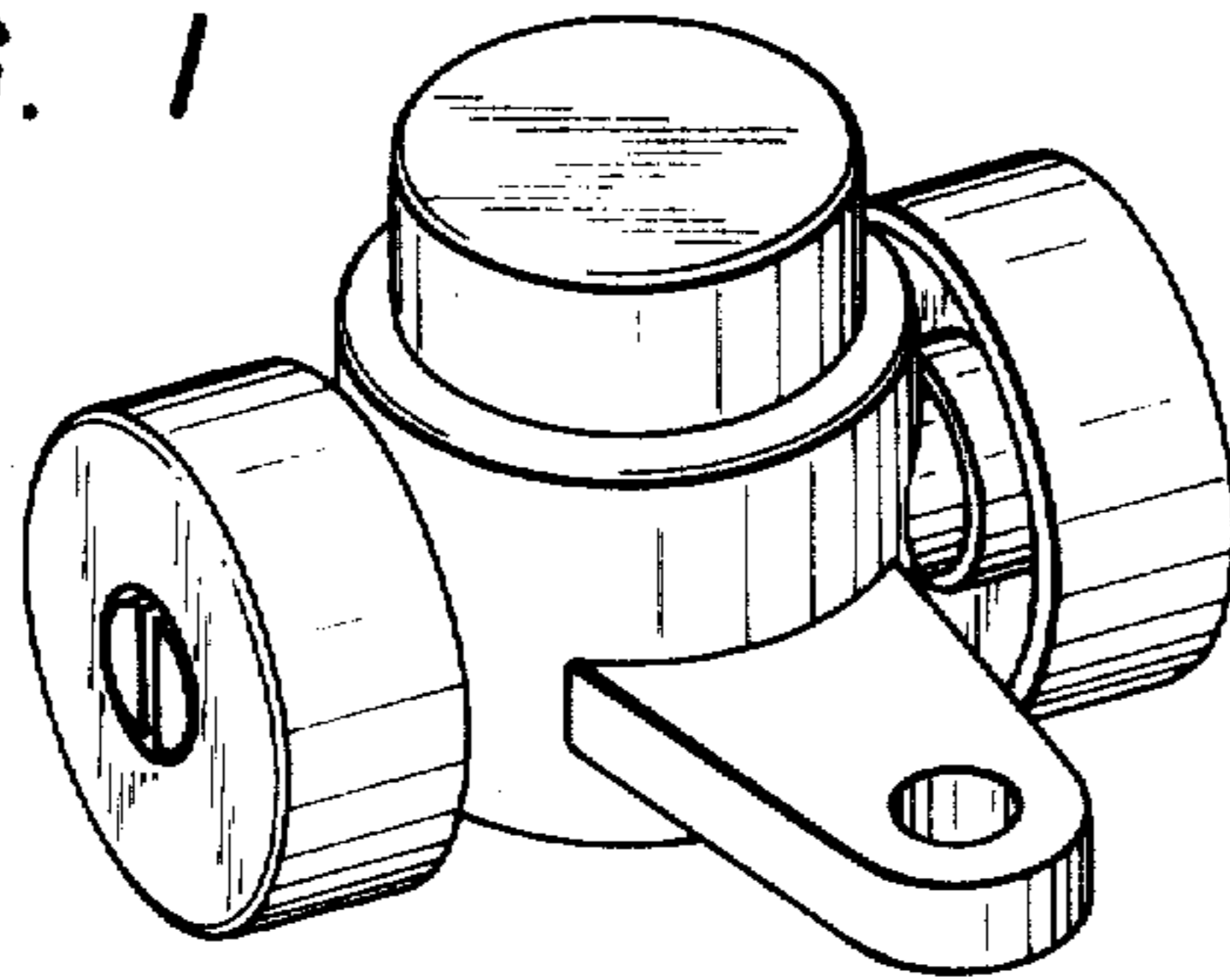


FIG. 2

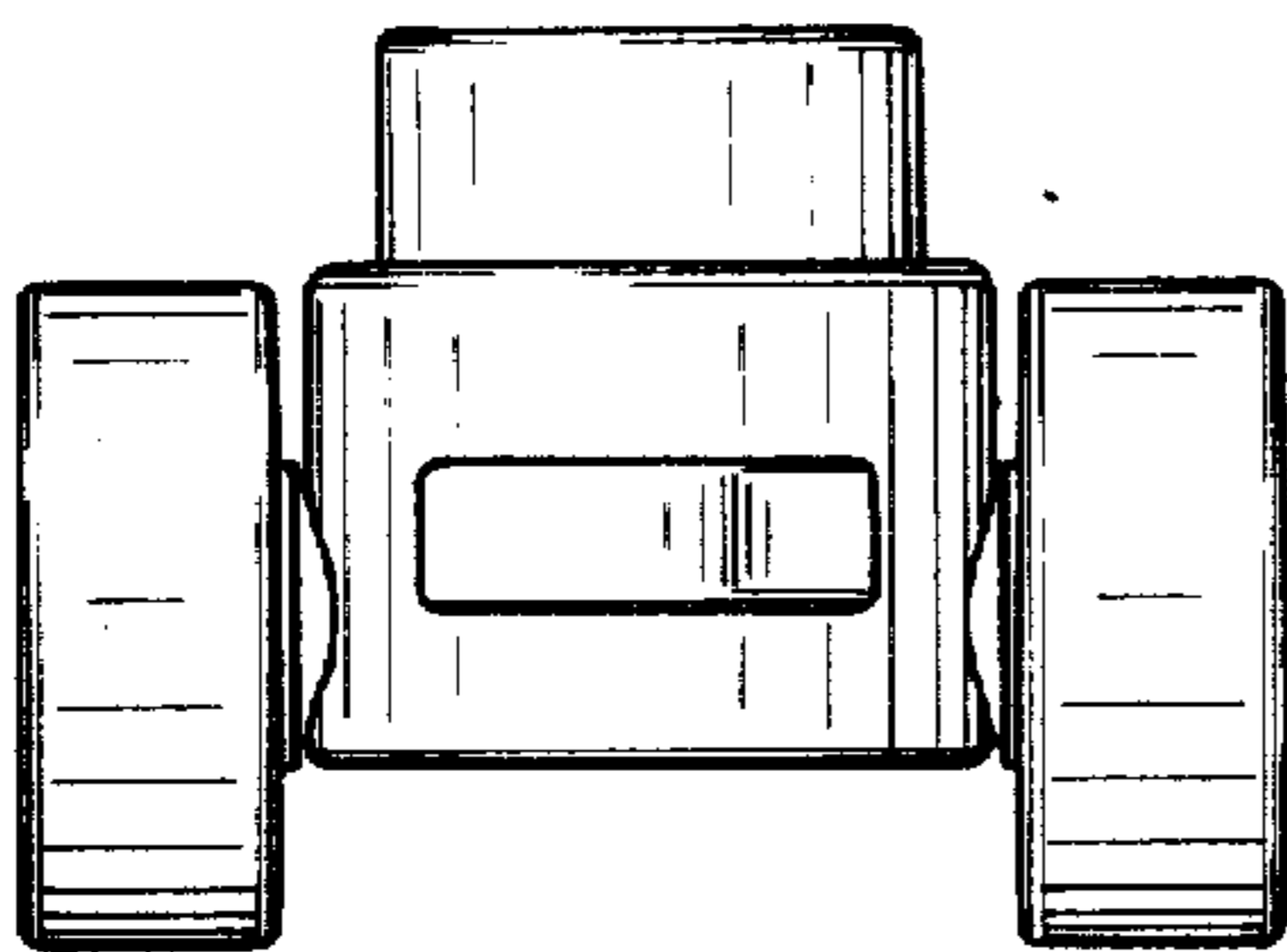


FIG. 3

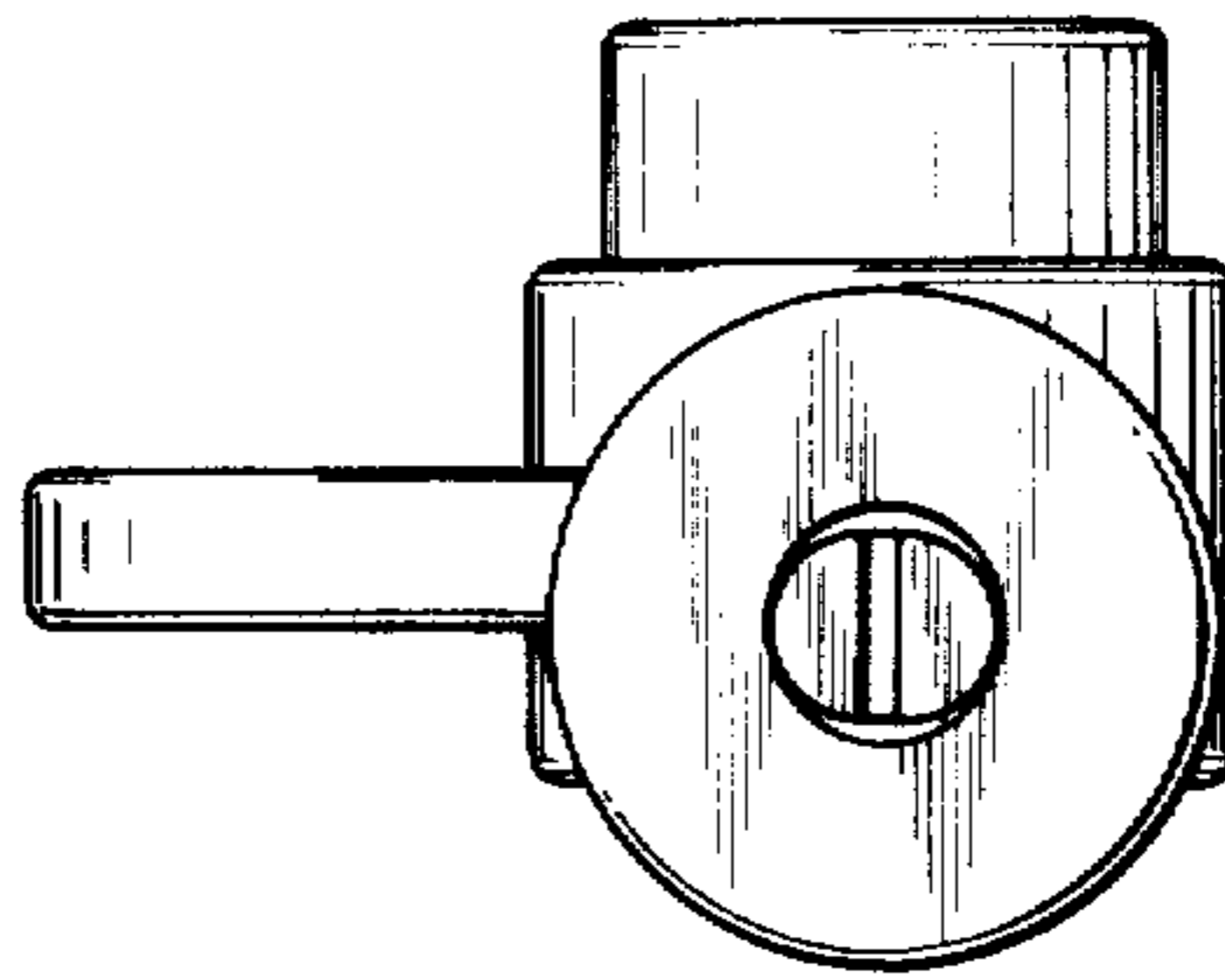


FIG. 4

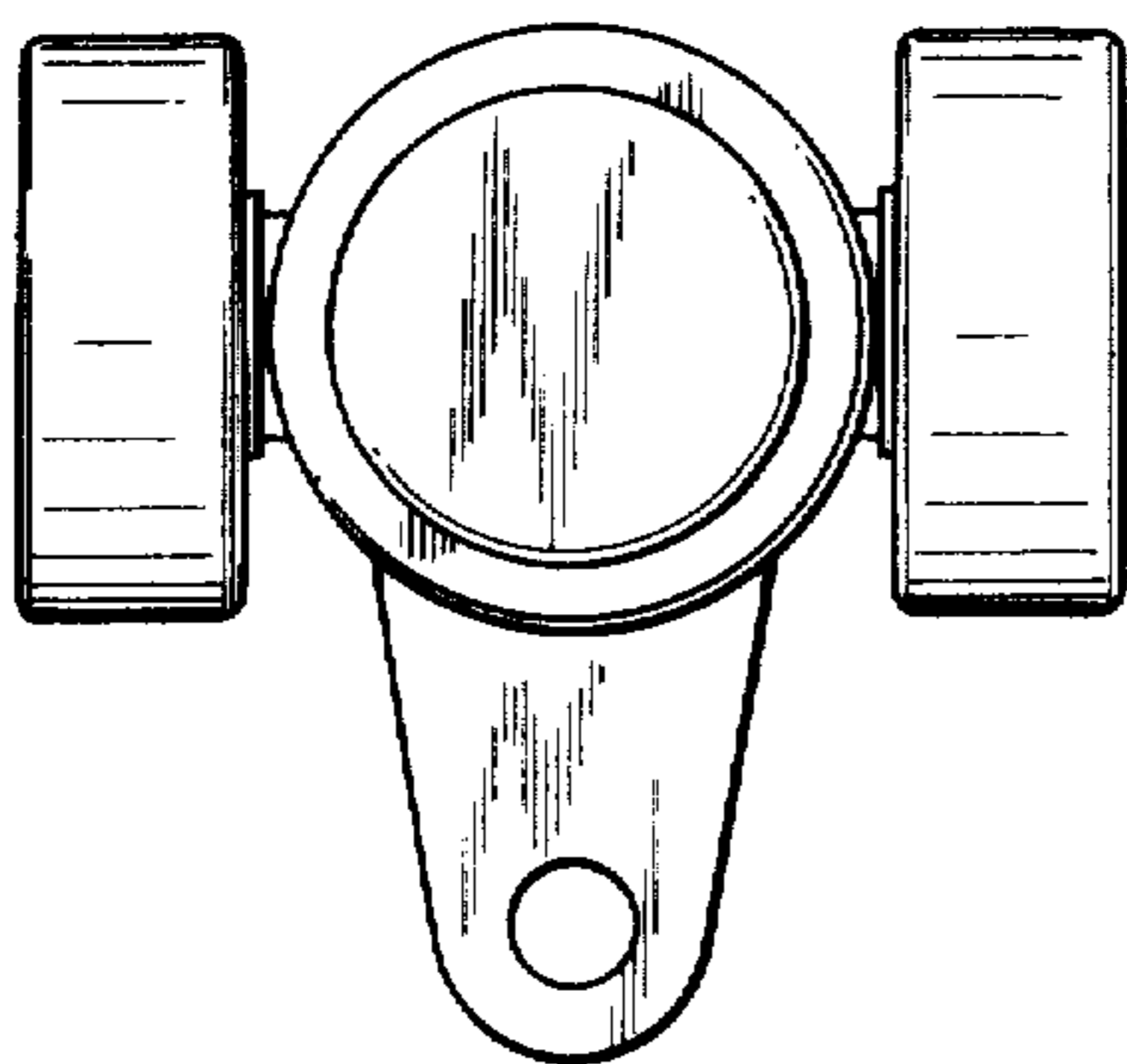


FIG. 5

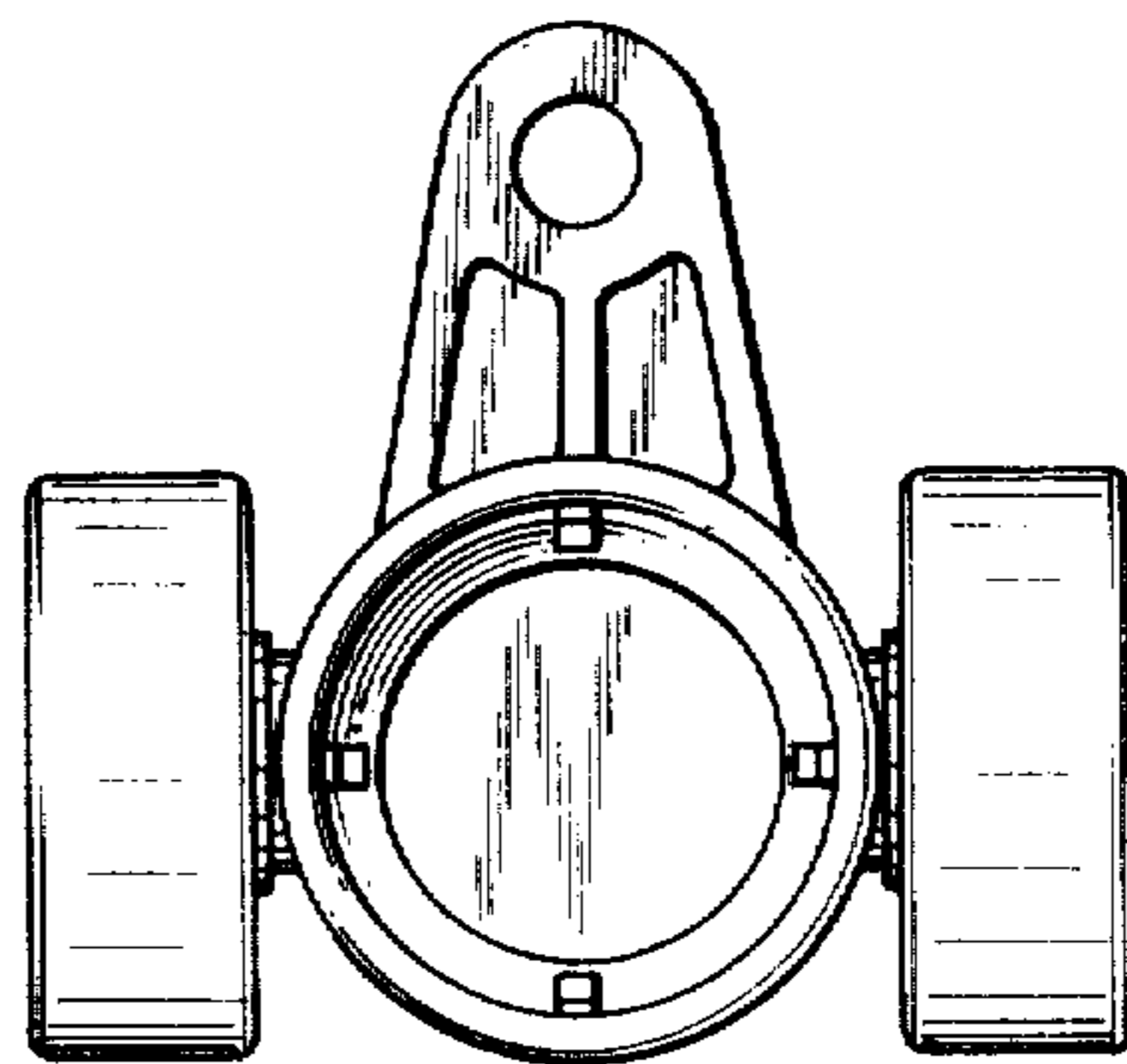


FIG. 6

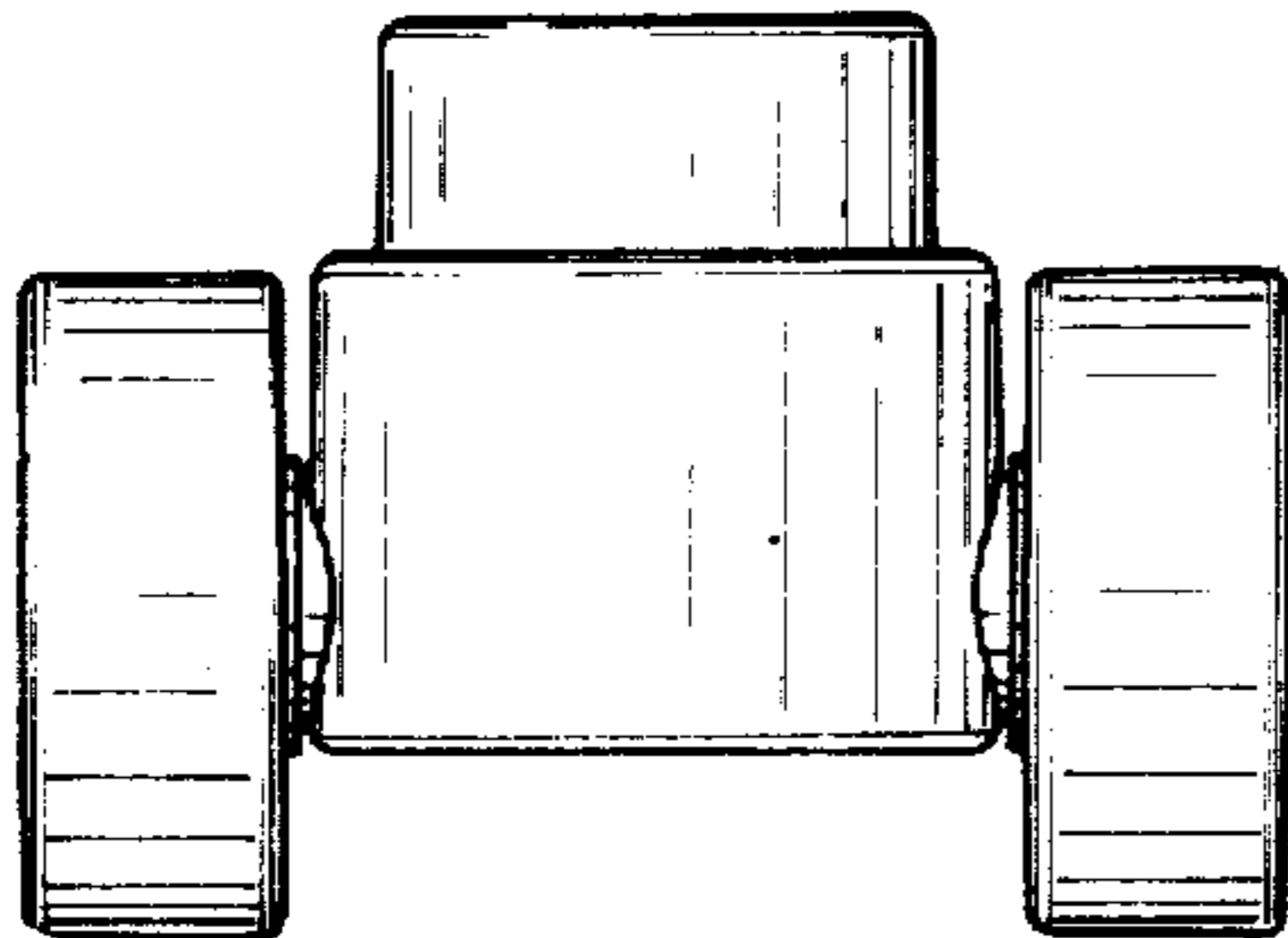


FIG. 7

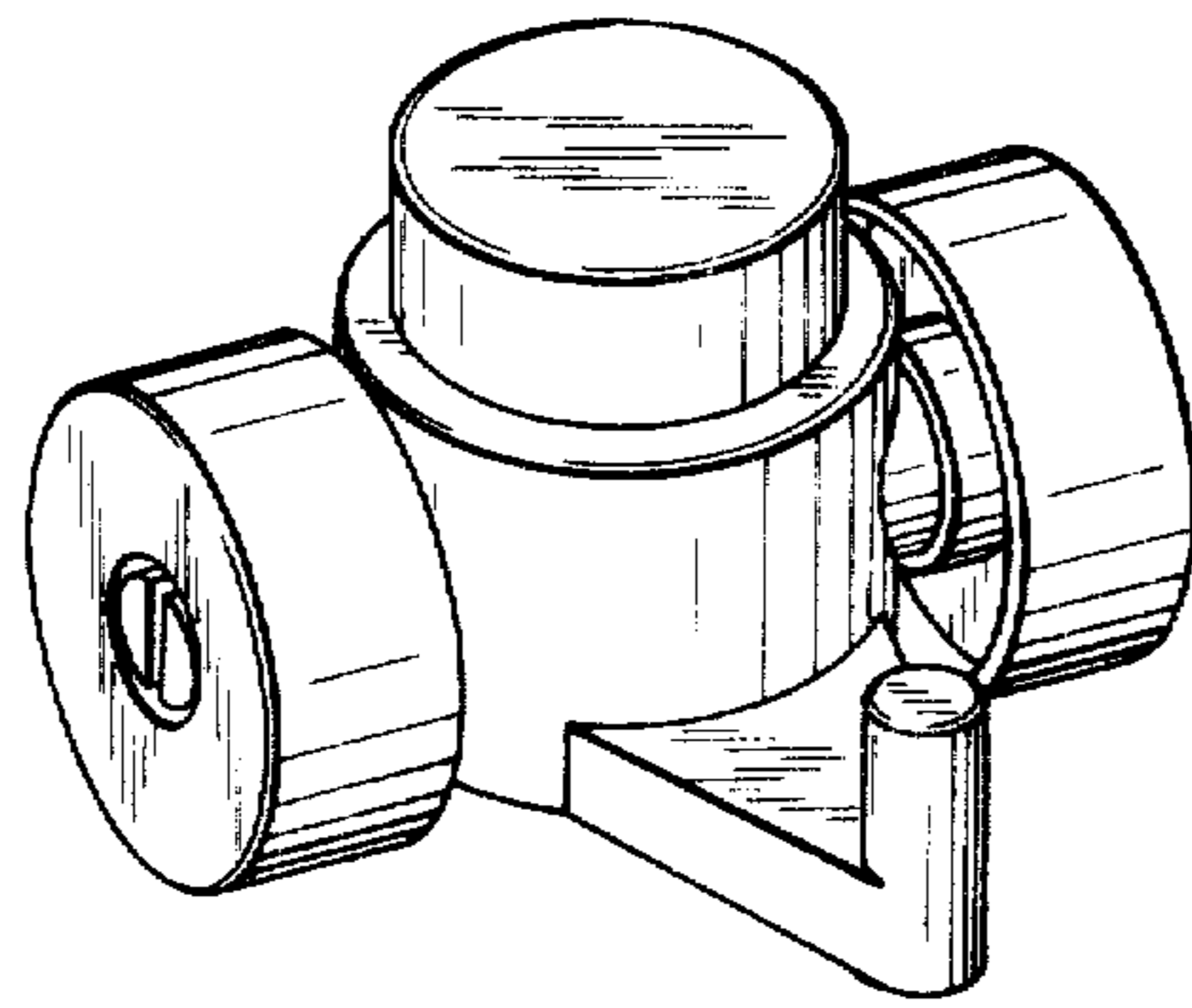


FIG. 8

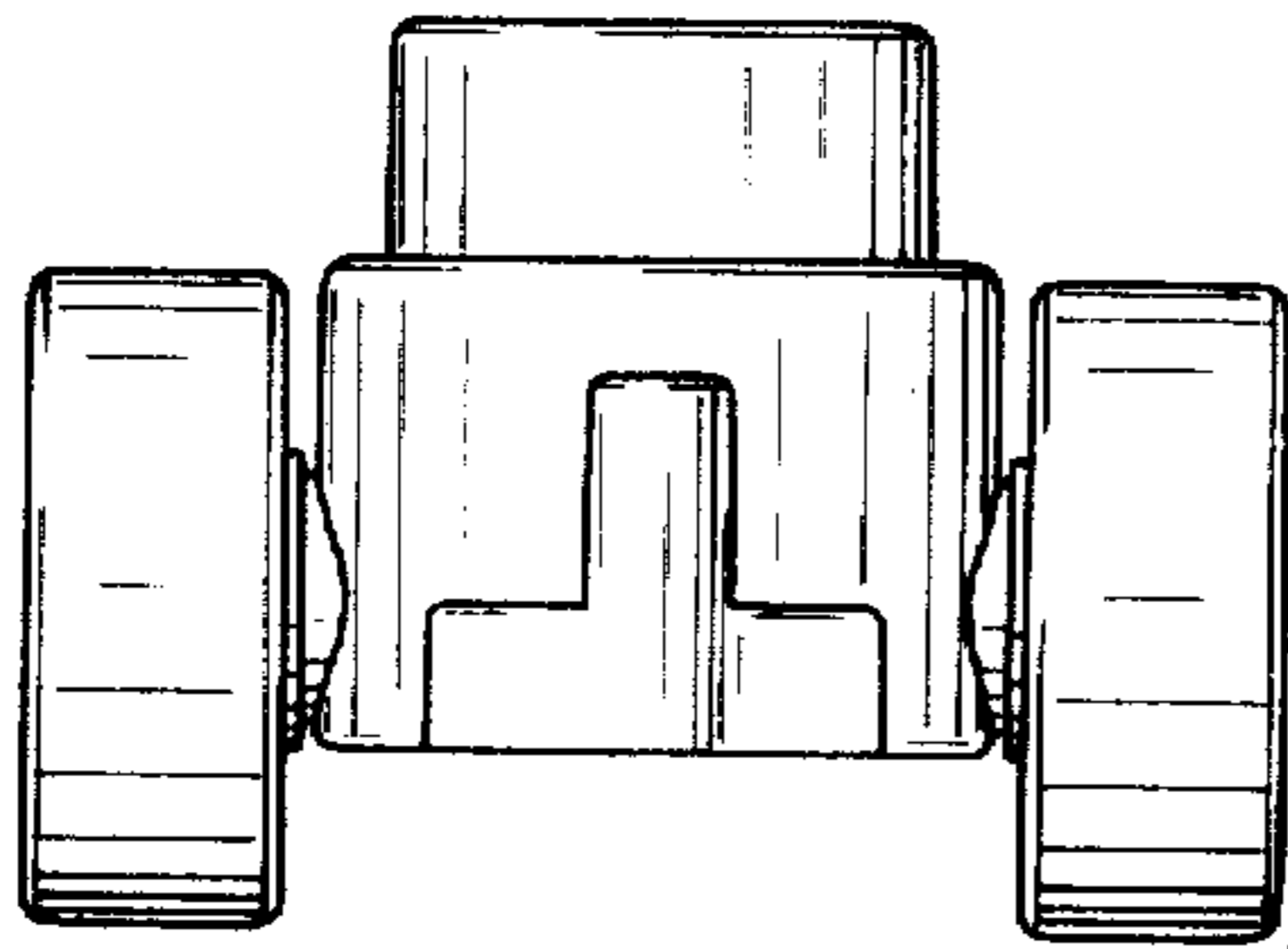


FIG. 9

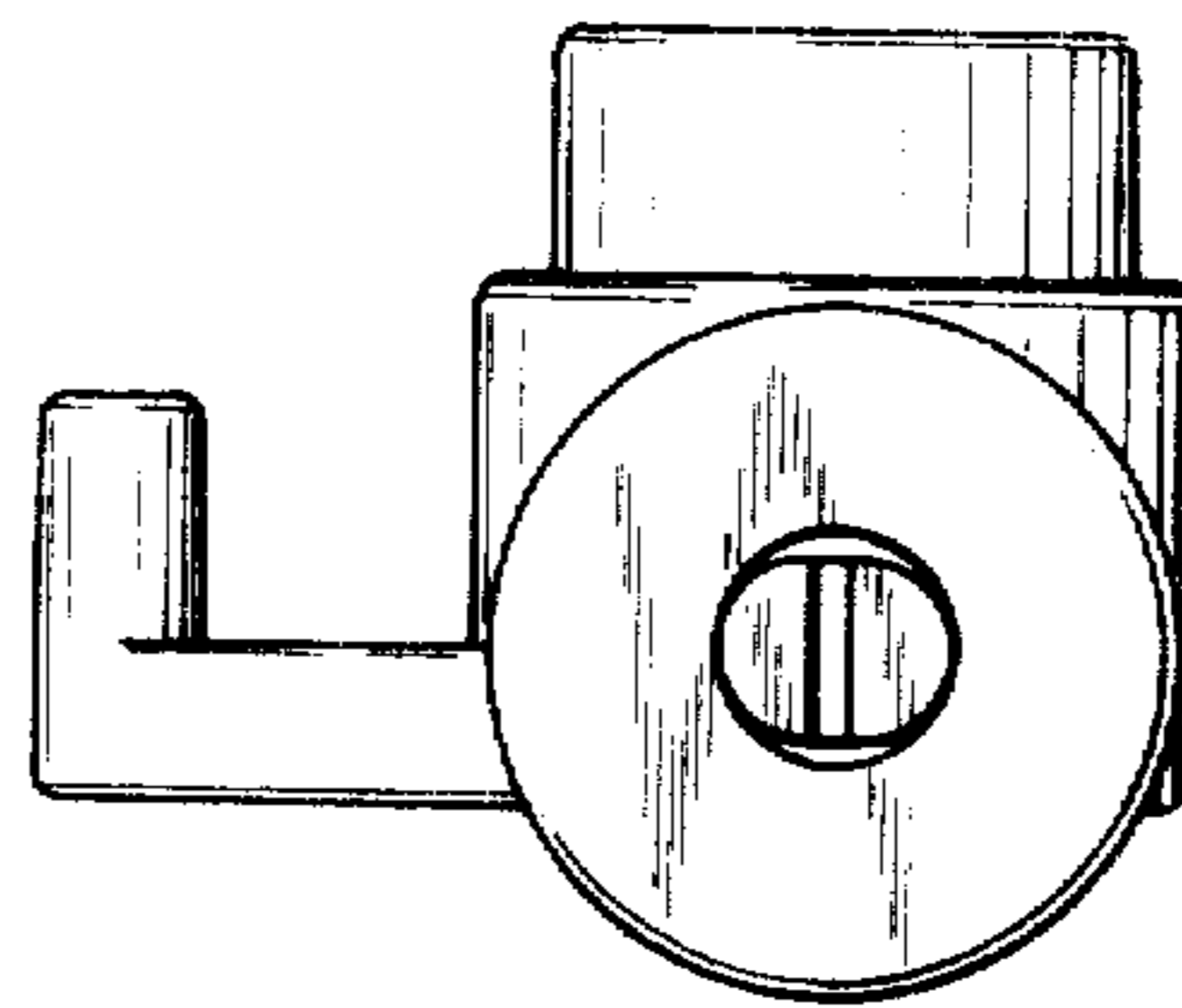


FIG. 10

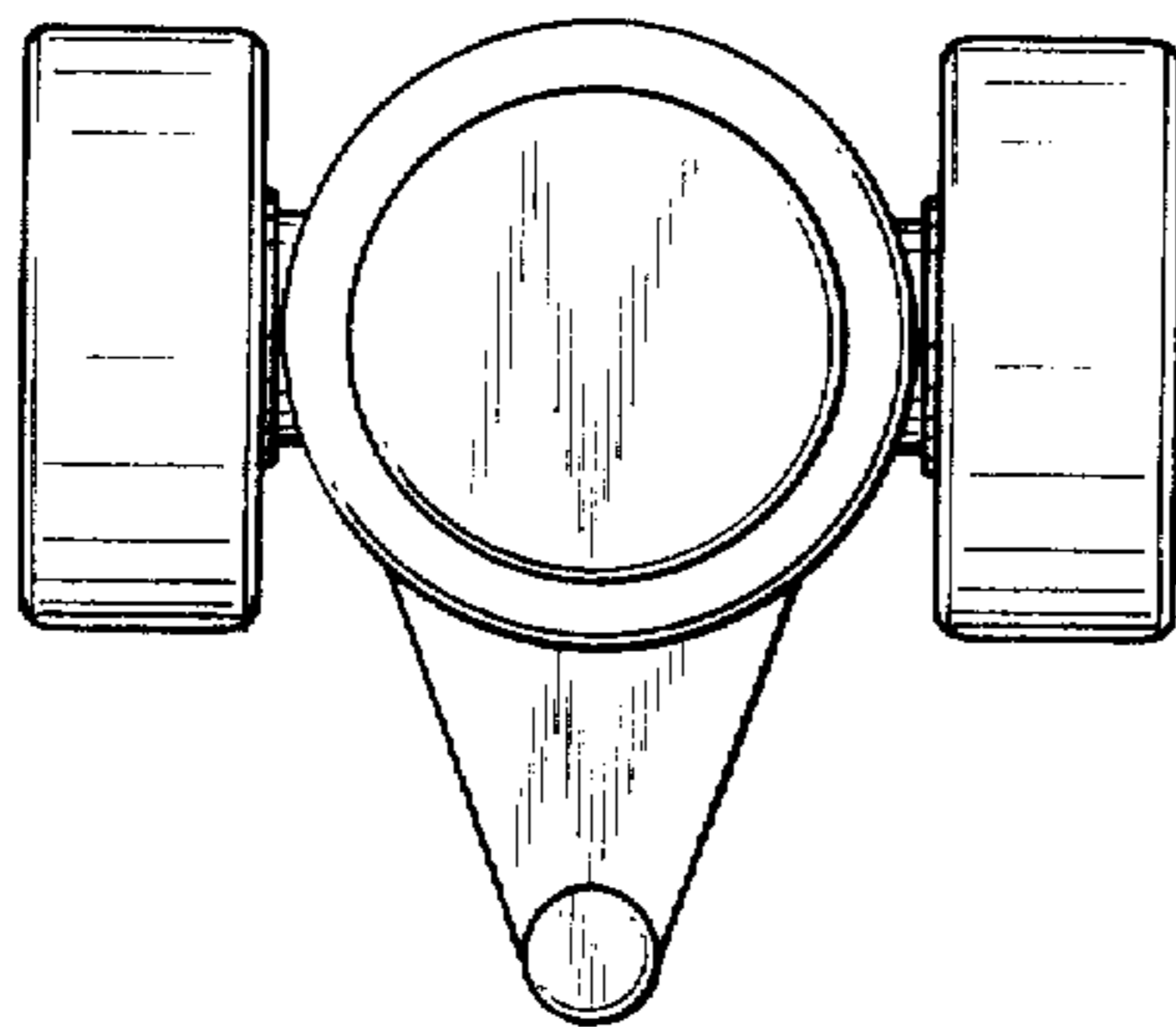


FIG. 11

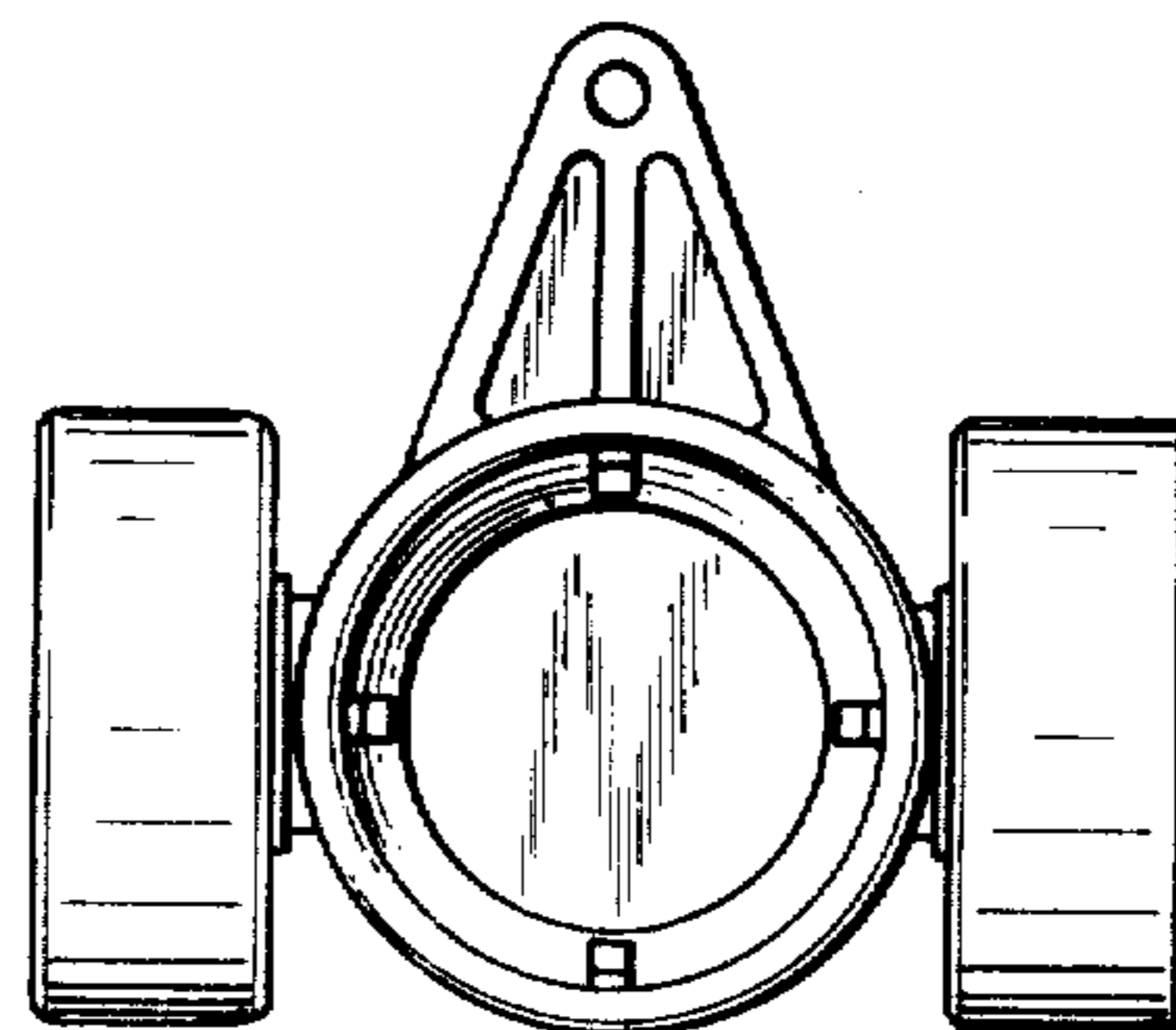


FIG. 12

