

[54] SPINDLECASE ATTACHMENT FOR TAPPING MACHINES TO CHANGE THE ROTATION OF THE TOOL

[75] Inventor: Eiji Miyakawa, Tokyo, Japan

[73] Assignee: Miyakawa Industry Company, Limited, Seki, Japan

[**] Term: 14 Years

[21] Appl. No.: 89,055

[22] Filed: Oct. 29, 1979

Related U.S. Application Data

[63] Continuation-in-part of Ser. No. 917,827, Jun. 22, 1978, abandoned.

[30] Foreign Application Priority Data

Dec. 27, 1977 [JP] Japan 52-52203

[51] Int. Cl. D15-09

[52] U.S. Cl. D15/140; D15/138

[58] Field of Search D15/127, 130, 138, 140; 408/199, 222, 238, 239 R, 239 A, 9, 129, 134, 139, 141, 142; 29/39-41, 57, 64; 279/1 A, 1 B; 10/136 R

[56] References Cited

U.S. PATENT DOCUMENTS

1,401,594	12/1921	Drowns	408/139
2,368,359	1/1945	Hellstrom	408/9
3,466,681	9/1969	Benjamin et al.	408/139
3,717,892	2/1973	Johnson	408/142
4,014,421	3/1977	Johnson	408/139

Primary Examiner—B. J. Bullock
Attorney, Agent, or Firm—Jordan and Hamburg

[57] CLAIM

The ornamental design for a spindlecase attachment for tapping machines to change the rotation of the tool, substantially as shown.

DESCRIPTION

FIG. 1 is a front elevational view of a spindlecase attachment for tapping machines to change the rotation of the tool incorporating my new design;

FIG. 2 is a side elevational view taken from the left of FIG. 1;

FIG. 3 is a bottom plan view thereof;

FIG. 4 is a rear elevational view thereof;

FIG. 5 is a side elevational view taken from the right of FIG. 1; and

FIG. 6 is a top plan view thereof.

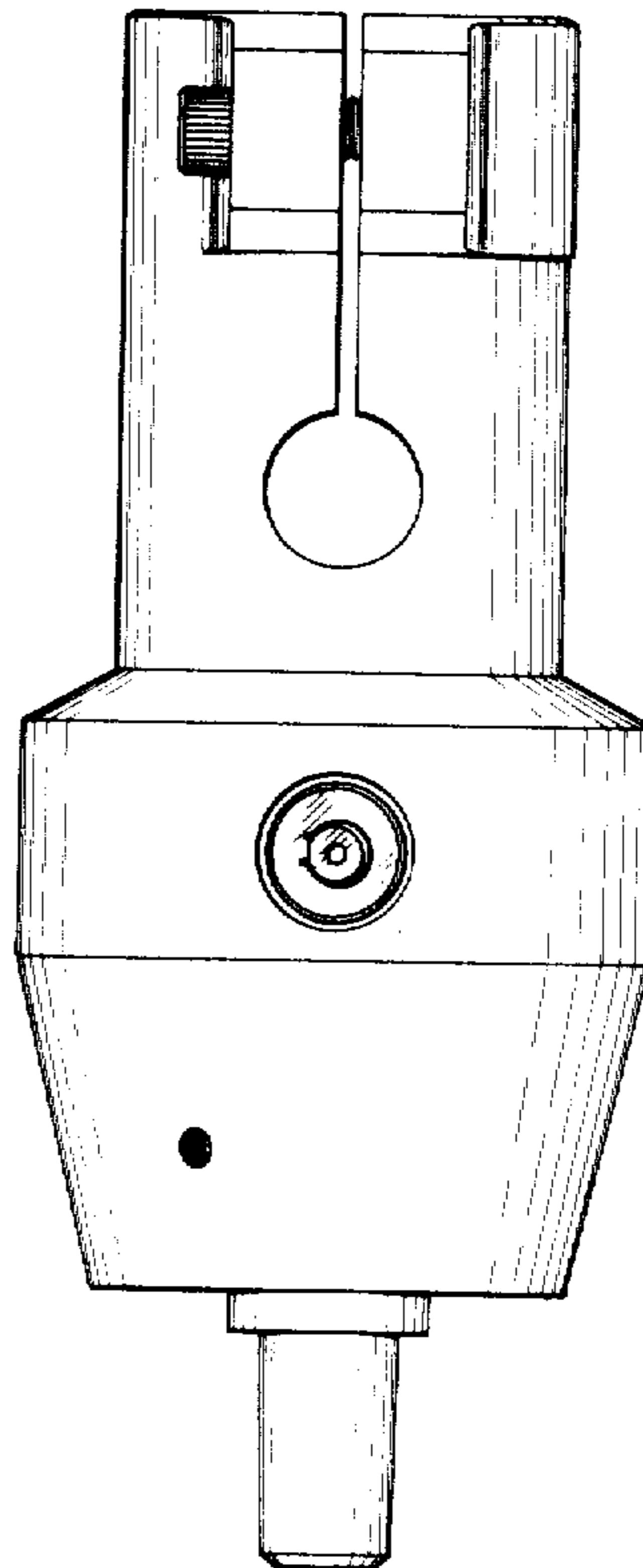
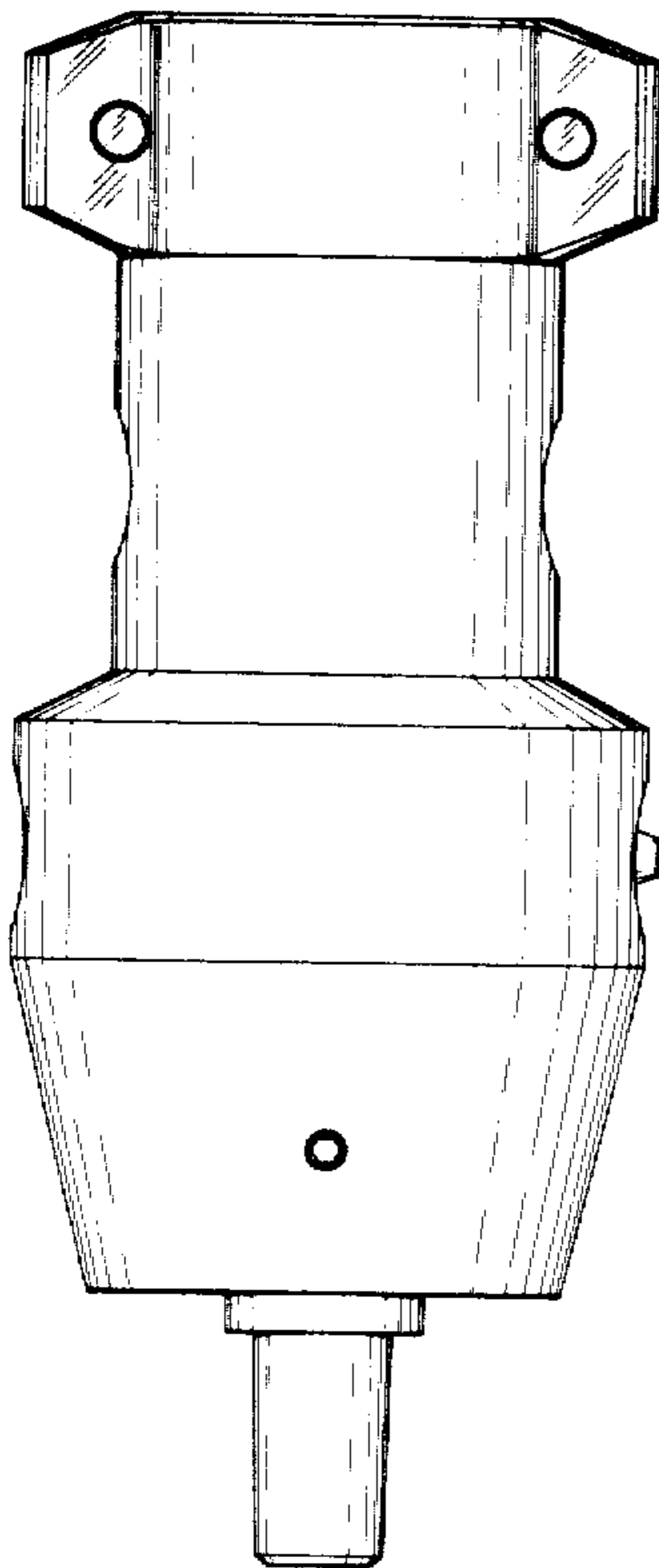


FIG. 1

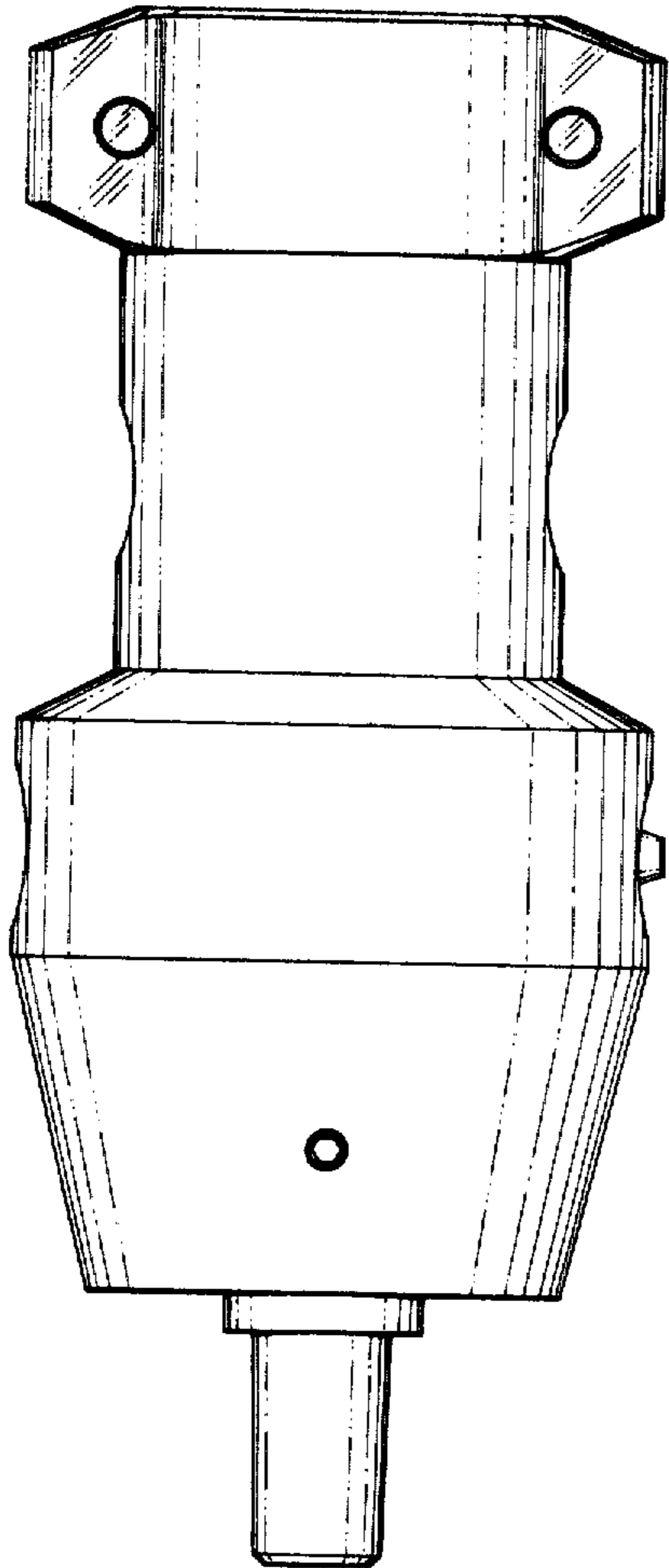


FIG. 2

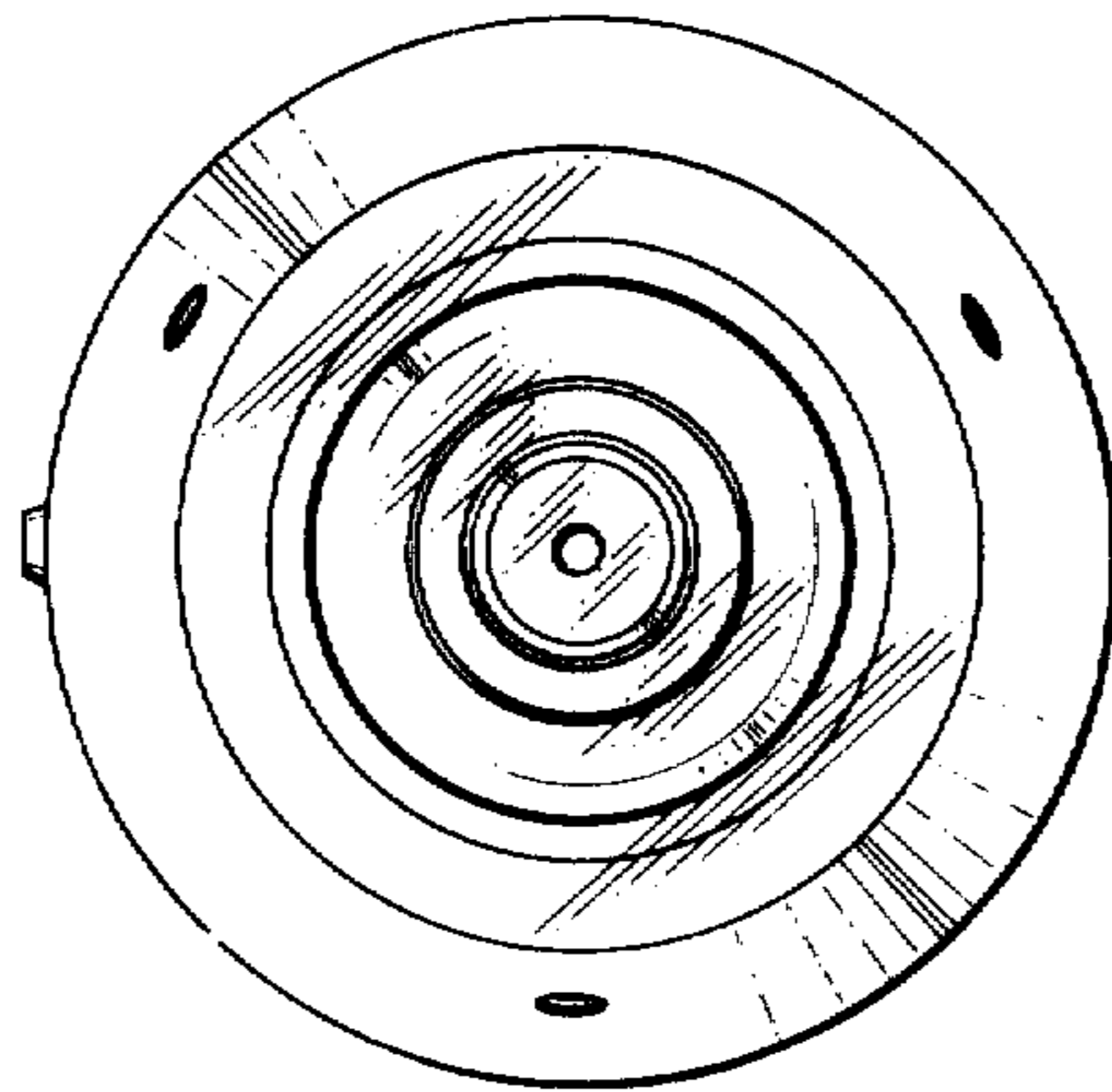
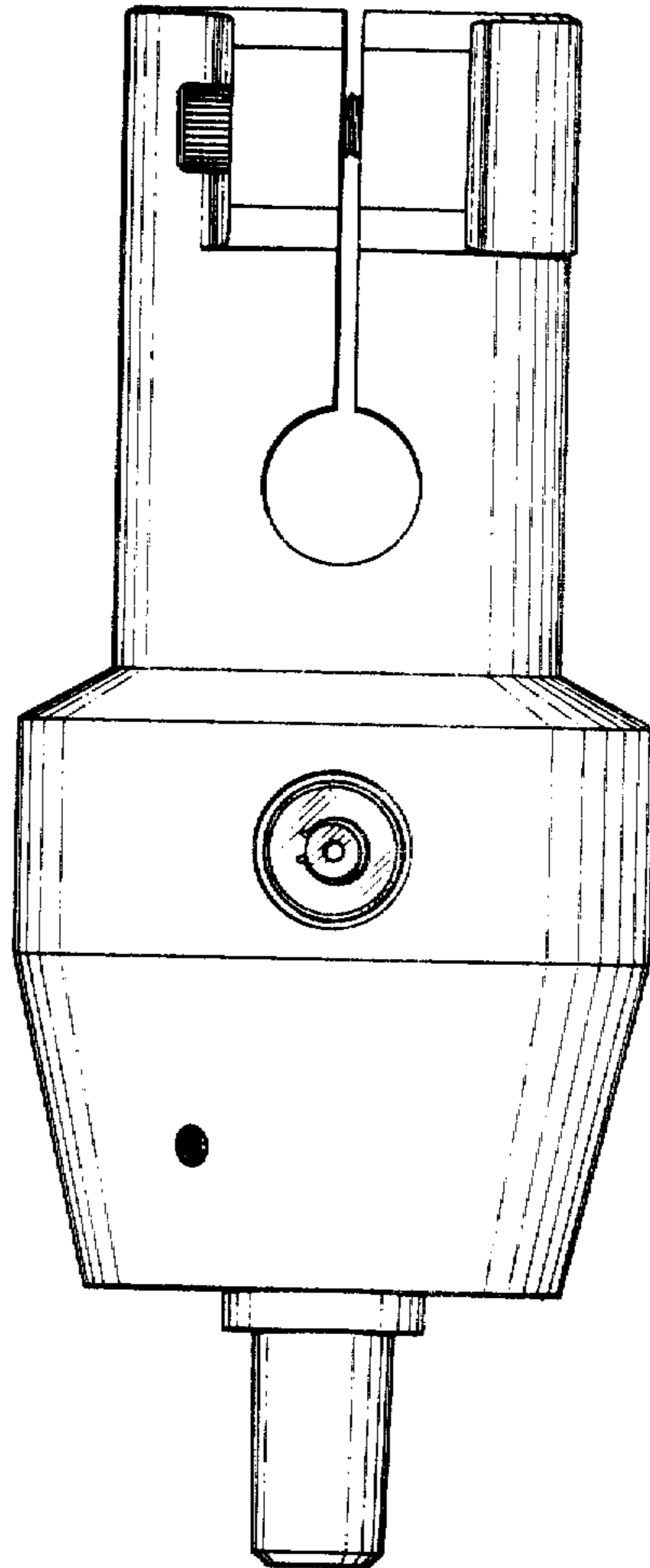


FIG. 3

FIG. 4

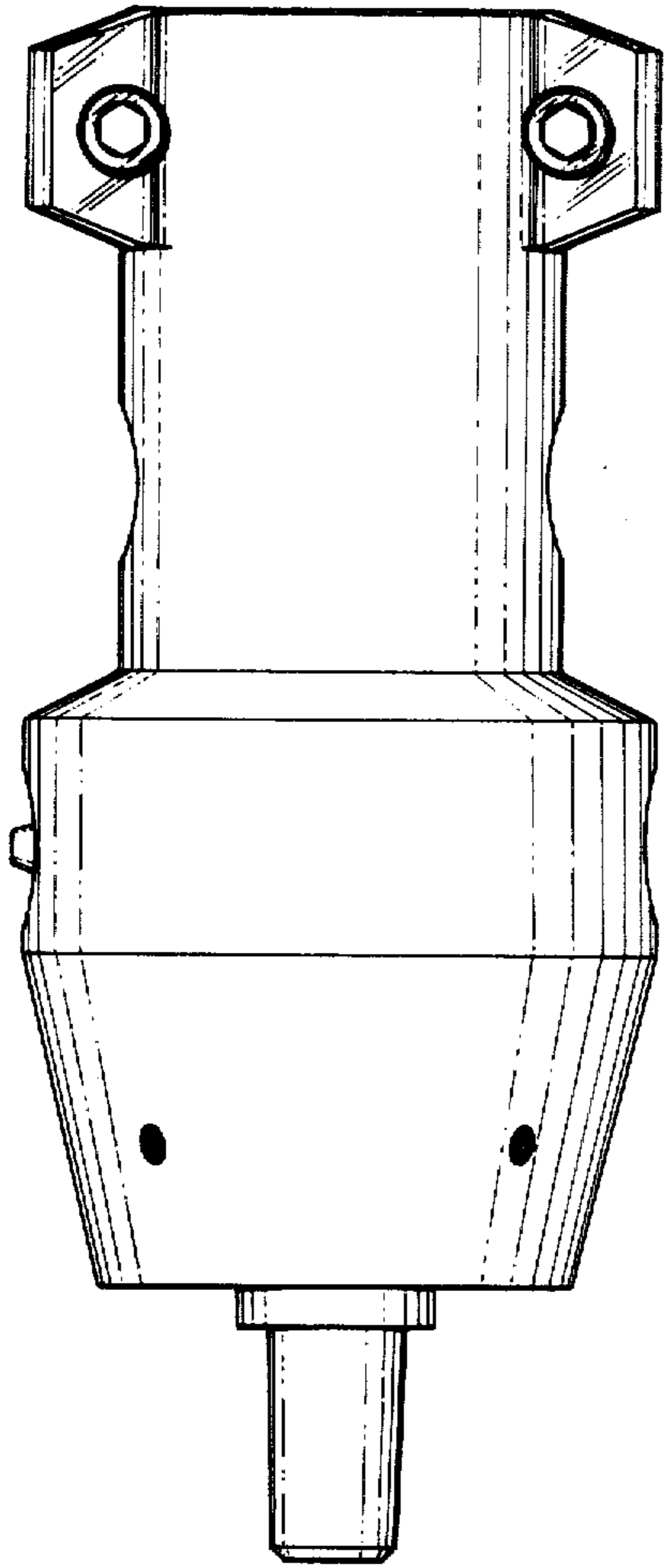


FIG. 5

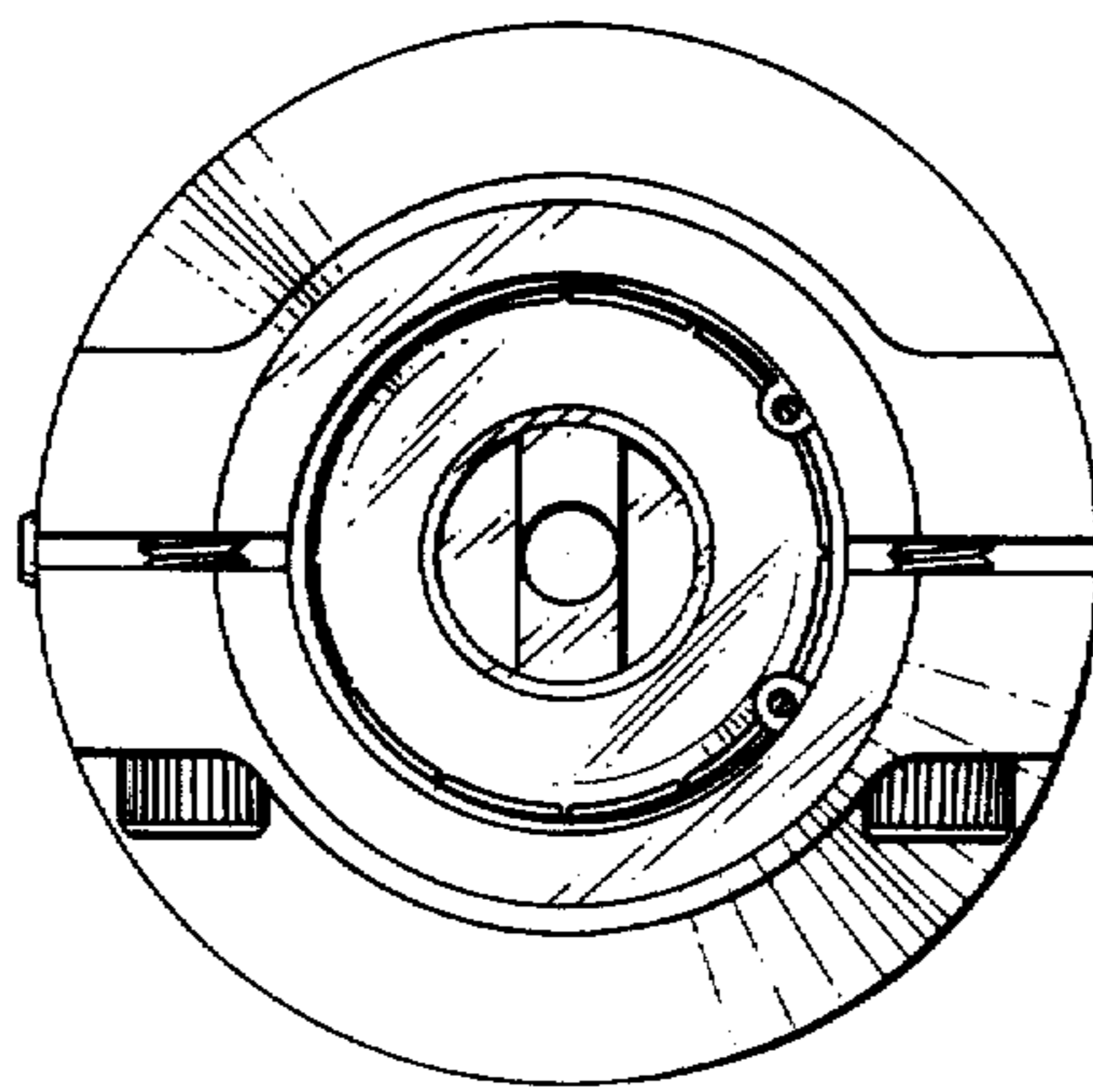
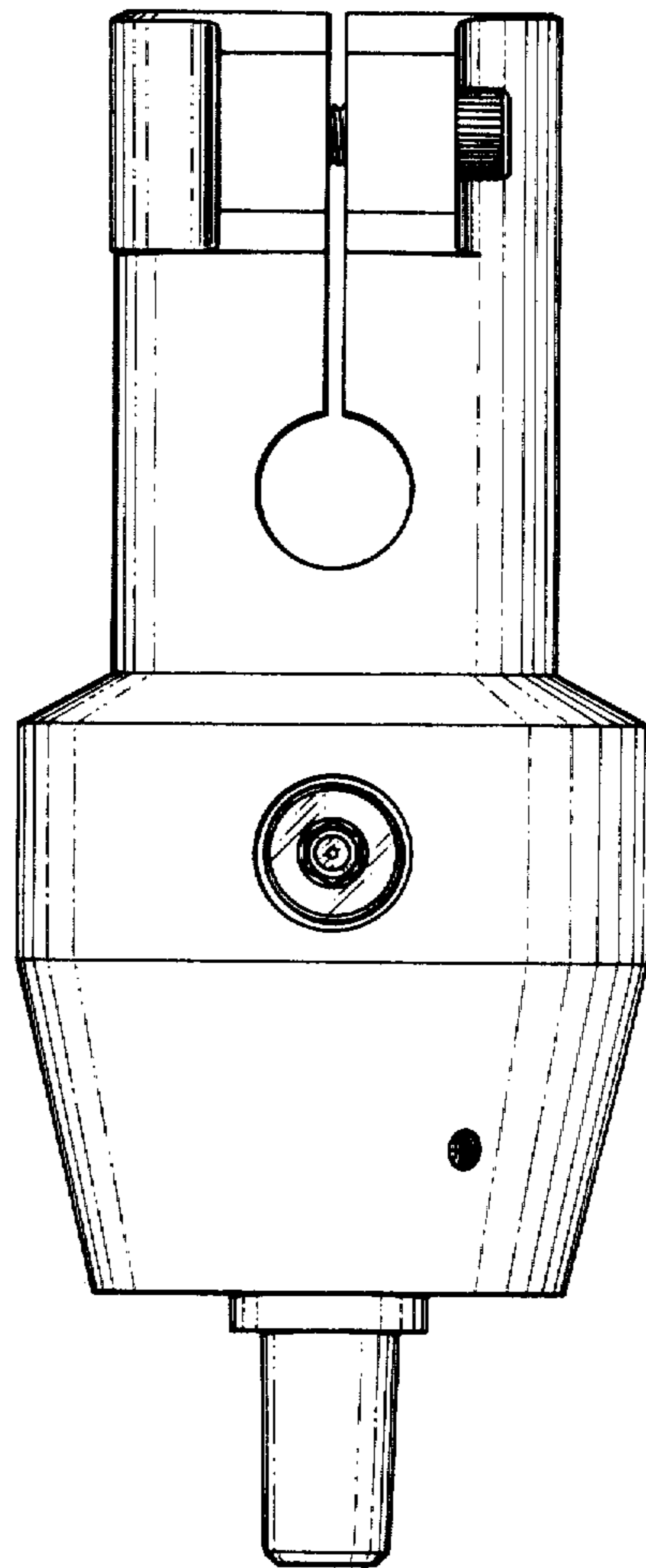


FIG. 6