

[54] OUTER CASING FOR PLANETARY GEAR ASSEMBLY

D. 199,865 12/1964 Wellauer D15/149
D. 201,917 8/1965 Heyer D15/149

[76] Inventor: Katsuyuki Totsu, No. 1-17-8, Higashi Mukojima, Sumida-ku, Tokyo, Japan

Primary Examiner—Sam Rosen

[**] Term: 14 Years

[57] CLAIM

[21] Appl. No.: 931,116

The ornamental design for an outer casing for planetary gear assembly, substantially as shown and described.

[22] Filed: Aug. 4, 1978

DESCRIPTION

[51] Int. Cl. D15—99; D8—99

[52] U.S. Cl. D15/138; D8/70

[58] Field of Search D15/135, 149, 138; 74/606 R, 607; D8/61, 68, 70

FIG. 1 is a perspective front view of an outer casing for planetary gear assembly showing my design;
FIG. 2 is a front elevational view thereof;
FIG. 3 is a rear elevational view thereof;
FIG. 4 is a side view thereof;
FIG. 5 is a view as seen by rotating FIG. 4, 90° to the right;
FIG. 6 is a sectional view taken along the line A—A of FIG. 3.

[56] References Cited

U.S. PATENT DOCUMENTS

D. 186,954 12/1959 Schumb D15/149

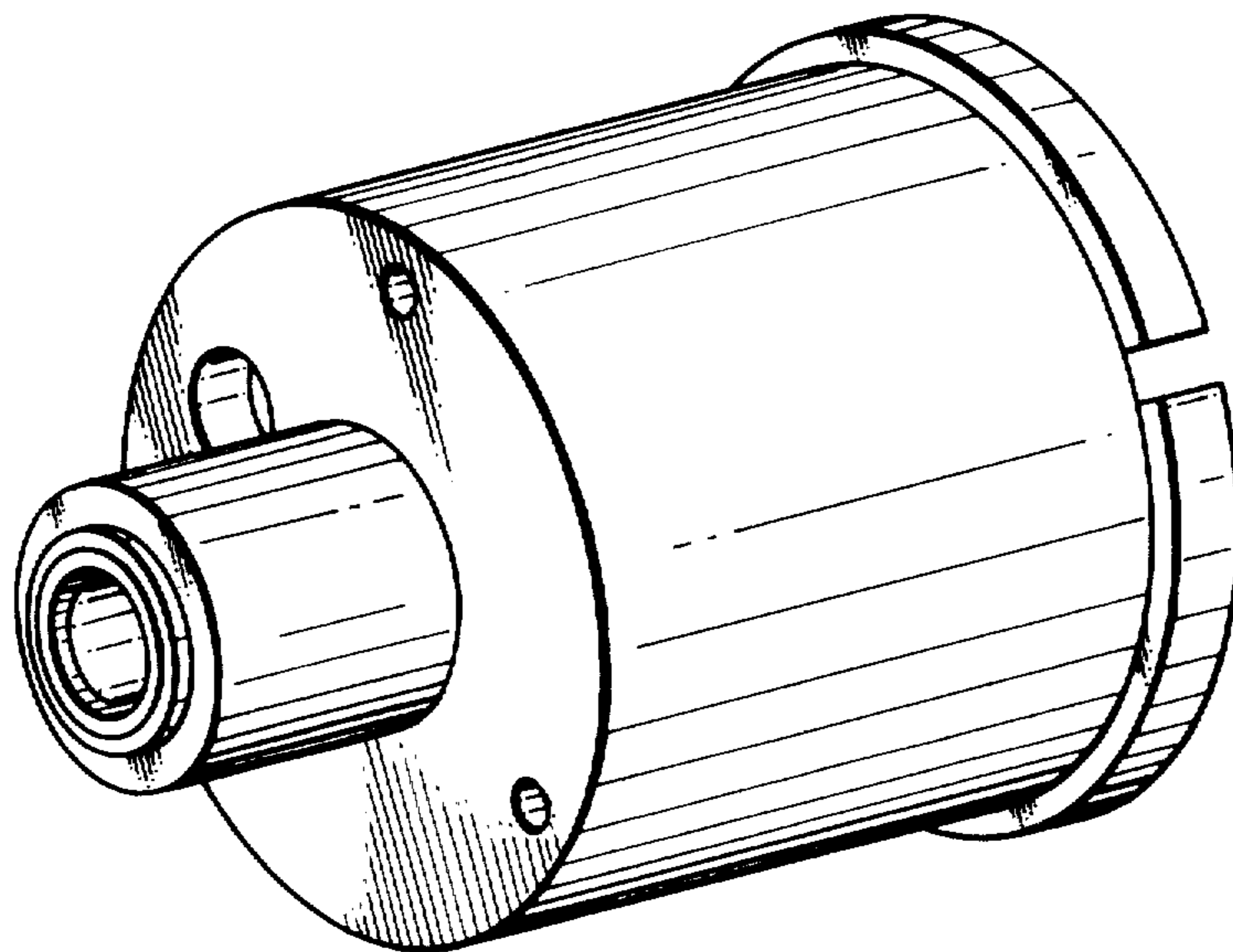


FIG.1

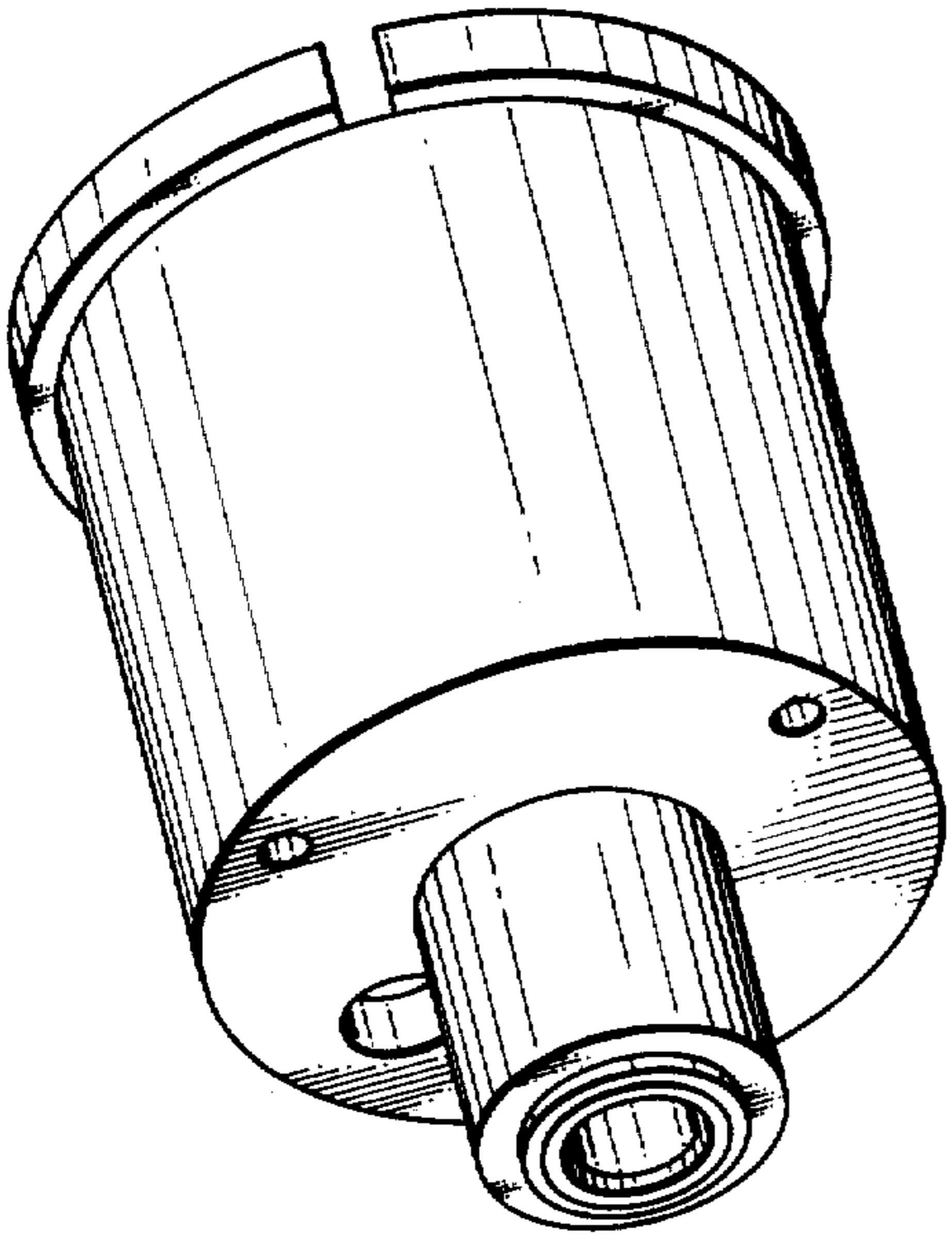


FIG.3

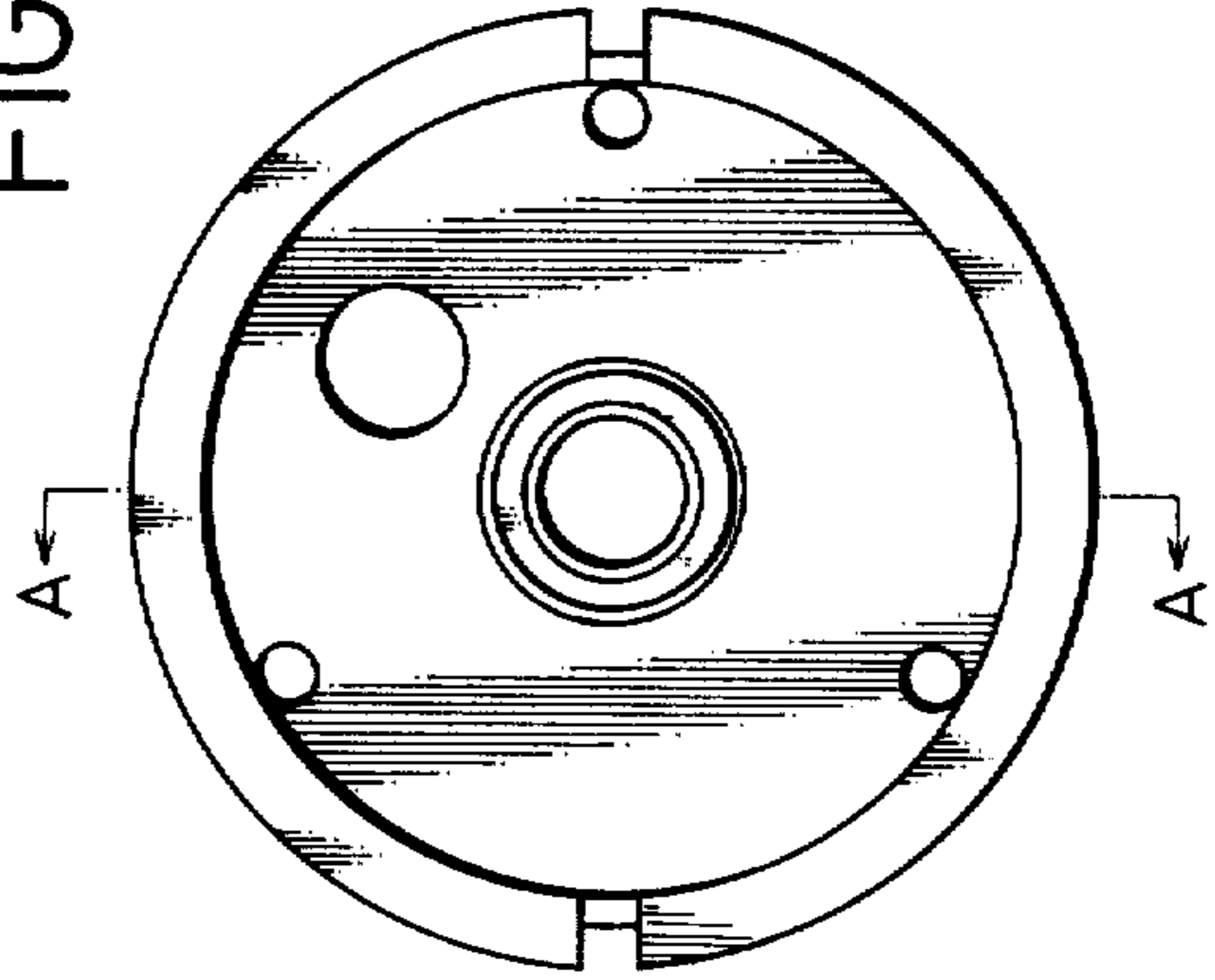


FIG.5

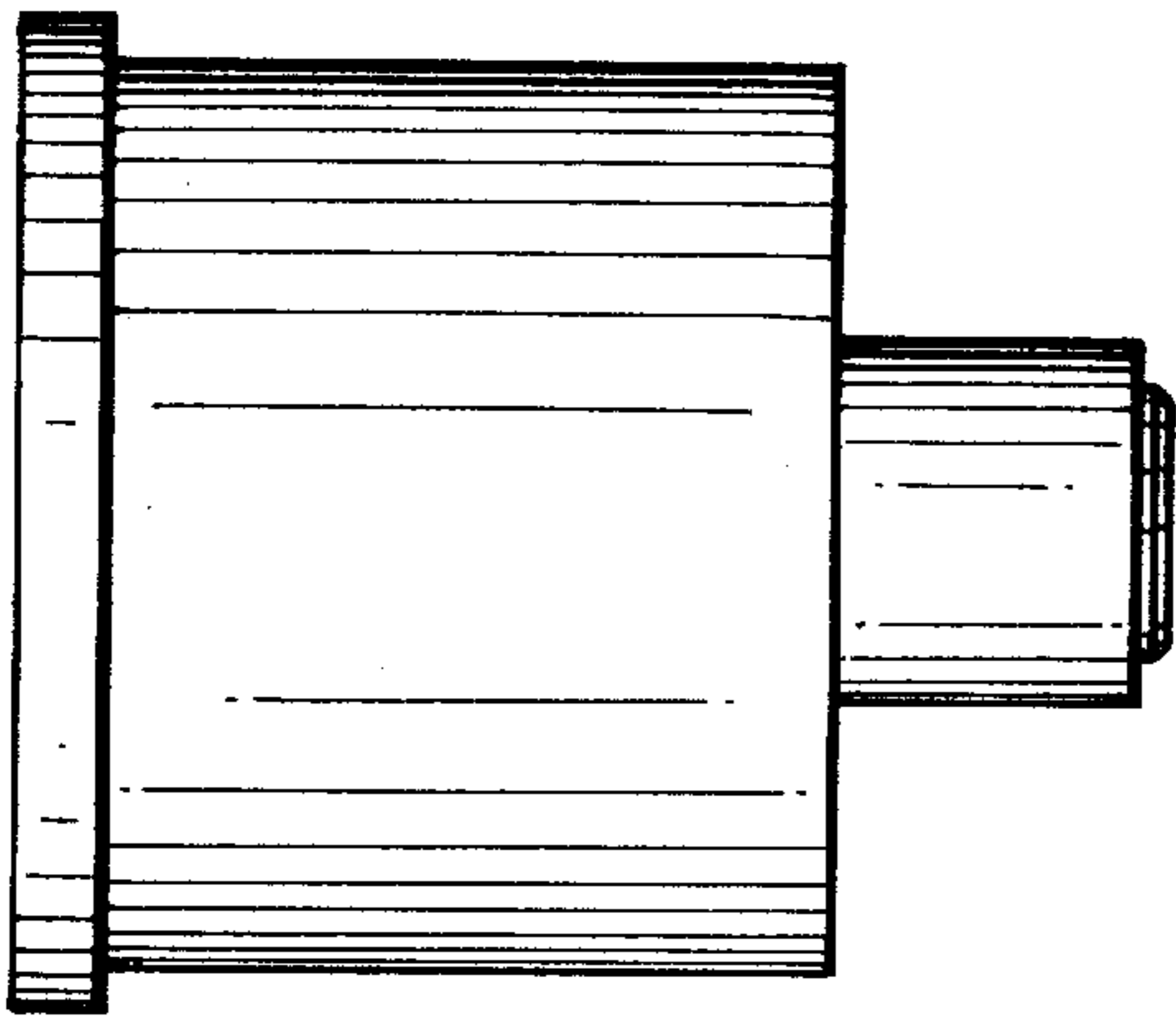


FIG.2

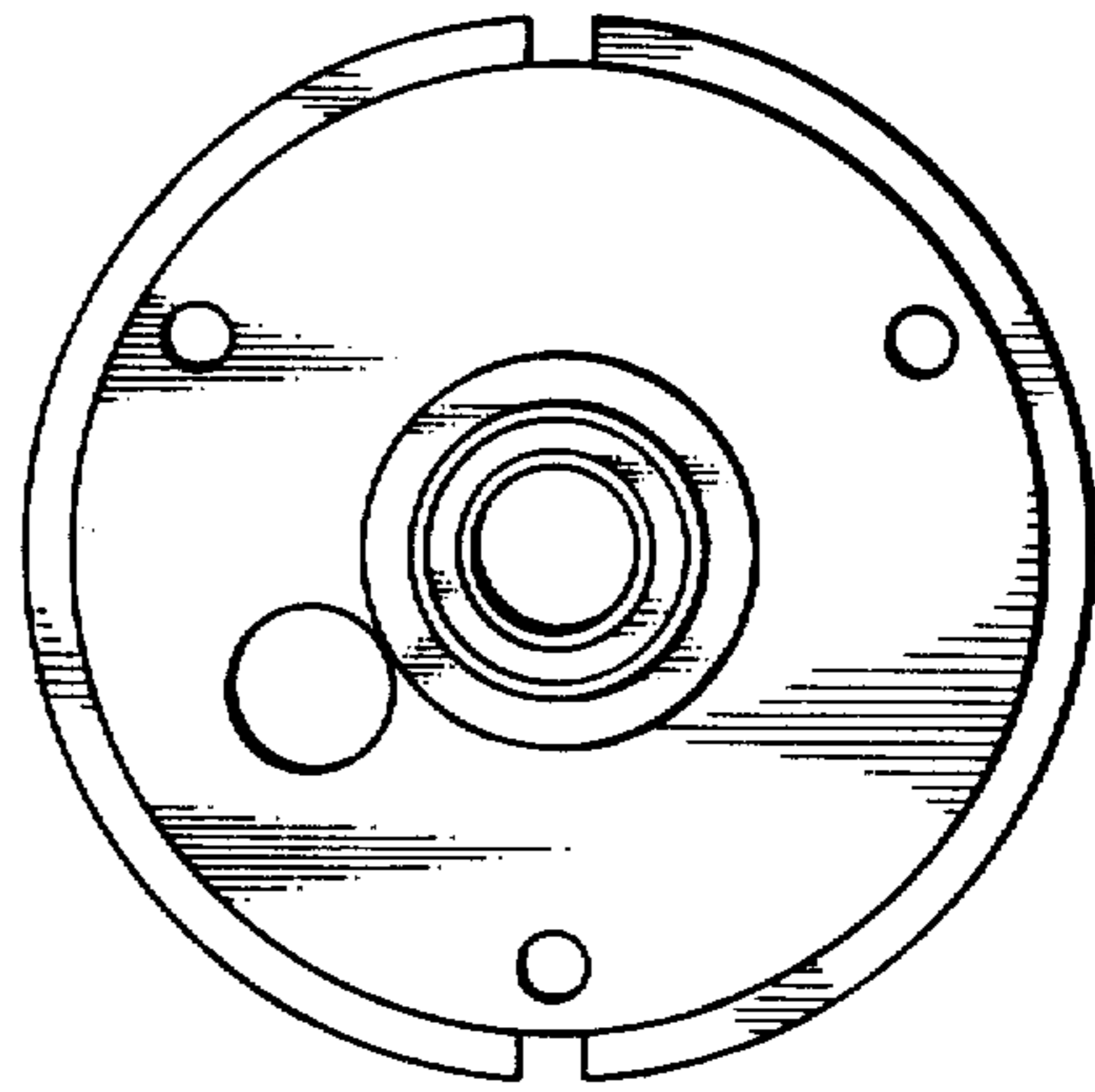


FIG.6

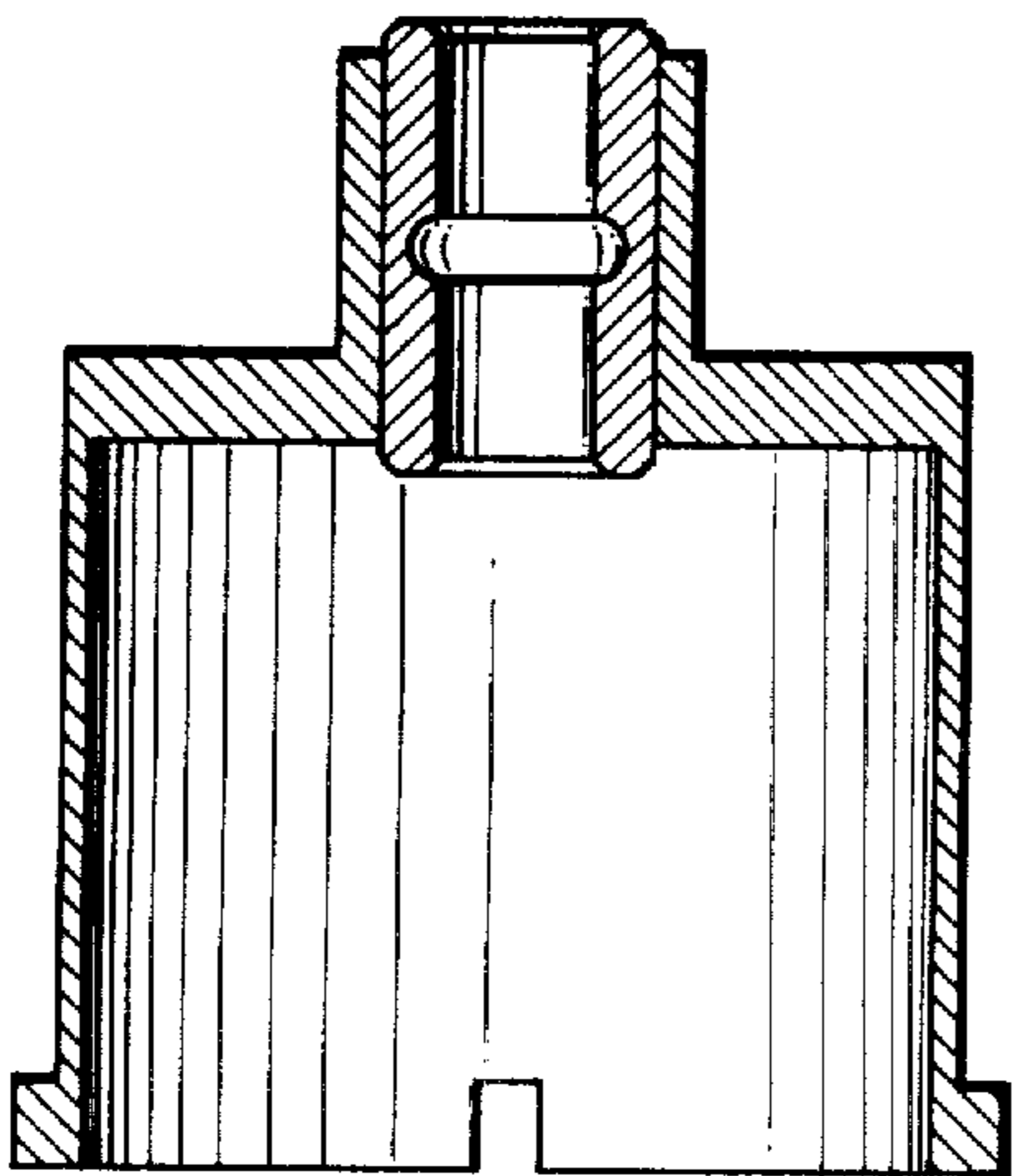


FIG.4

