

[54] MULTI-PURPOSE POWER TOOL

[76] Inventor: Anthony Fox, 8306 Queen Ave. South, Minneapolis, Minn. 55431

[**] Term: 14 Years

[21] Appl. No.: 59,882

[22] Filed: Jul. 23, 1979

[51] Int. Cl. D15-09

[52] U.S. Cl. D15/122; D15/125; D15/127; D15/130; D15/131; D15/132; D15/133; 144/1 C

[58] Field of Search D15/122, 125, 127, 130; 144/1 C, 1 B

[56] References Cited

U.S. PATENT DOCUMENTS

D. 118,930	2/1940	Frushour	D15/130
D. 135,669	5/1943	Logan	D15/130
D. 139,476	11/1944	Miller	D15/133
2,905,211	9/1959	Weinstein	144/1 C

OTHER PUBLICATIONS

Shop Smith Mark 5, Magna Engineering Corp., Menlo Park, Calif.

Primary Examiner—Veronica O'Keefe
Attorney, Agent, or Firm—Orrin M. Haugen; Thomas J. Nikolai

[57] CLAIM

The ornamental design for a multi-purpose power tool, as shown and described.

DESCRIPTION

FIG. 1 is a perspective view of the multi-purpose power tool with the tool supporting means in a horizontal orientation;

FIG. 2 is a perspective view thereof with the tool supporting means in a vertical orientation;

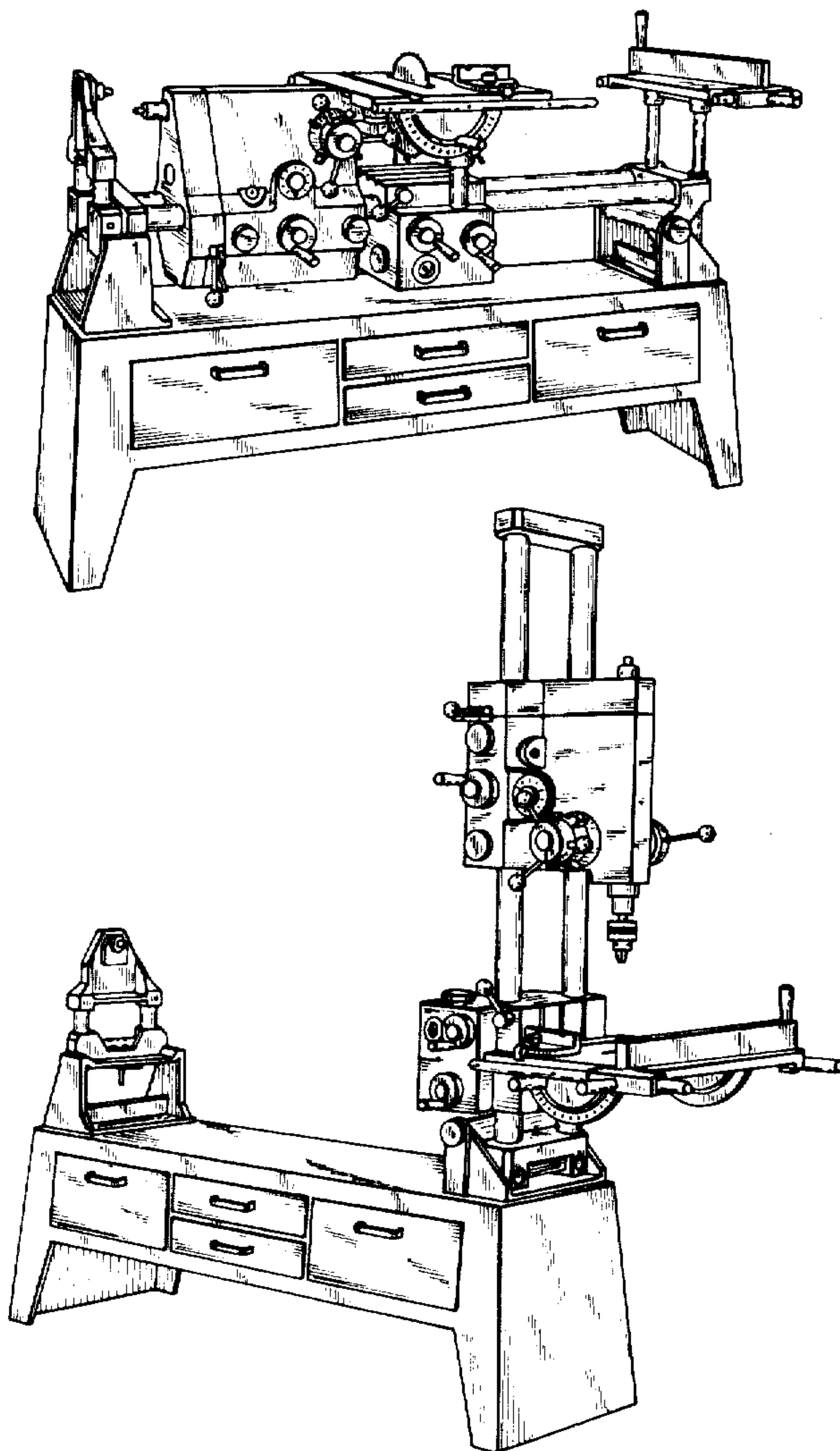
FIG. 3 is a front plan view thereof;

FIG. 4 is a rear view thereof;

FIG. 5 is a left end view thereof;

FIG. 6 is a right end view thereof; and

FIG. 7 is a top plan view thereof.



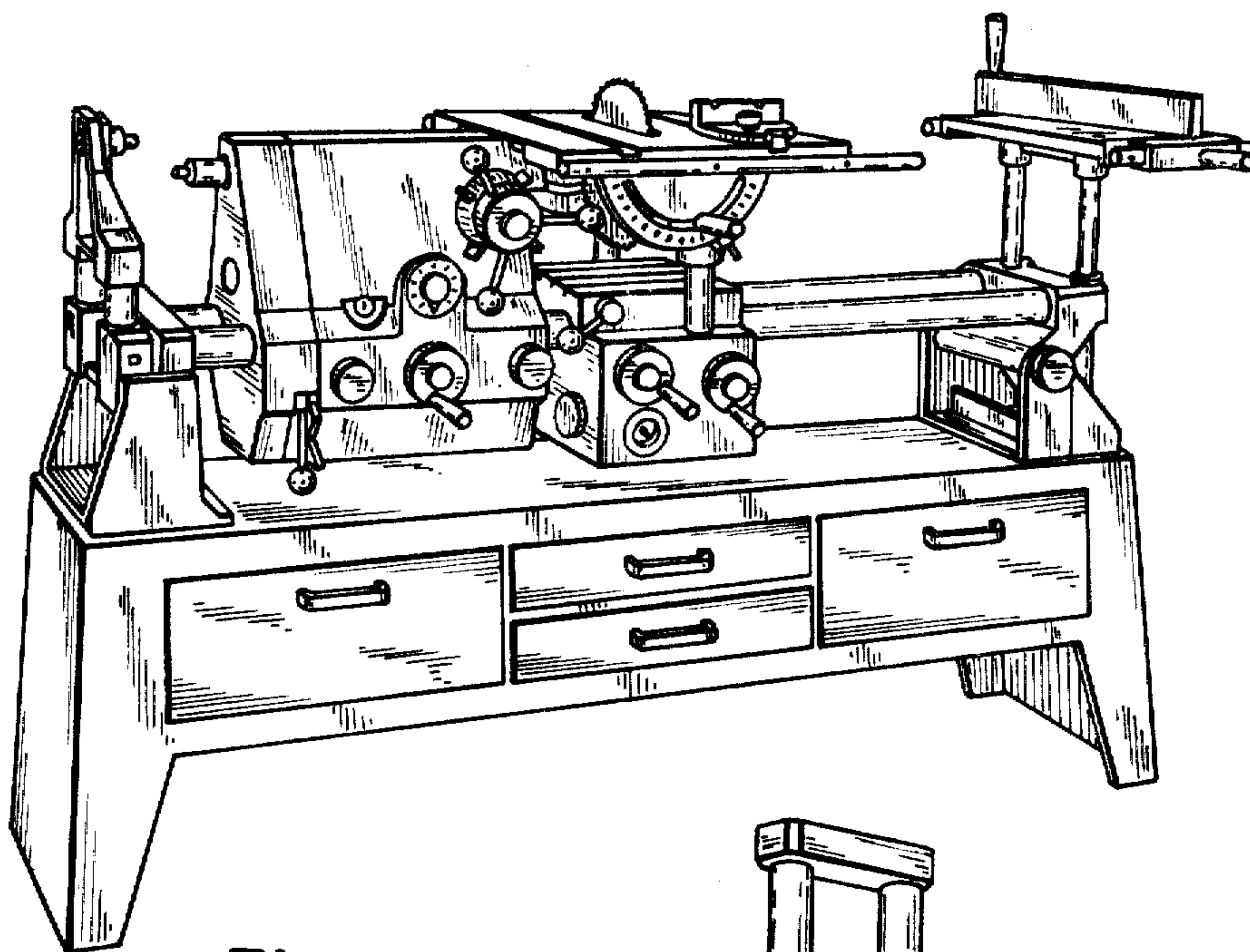


Fig. 1

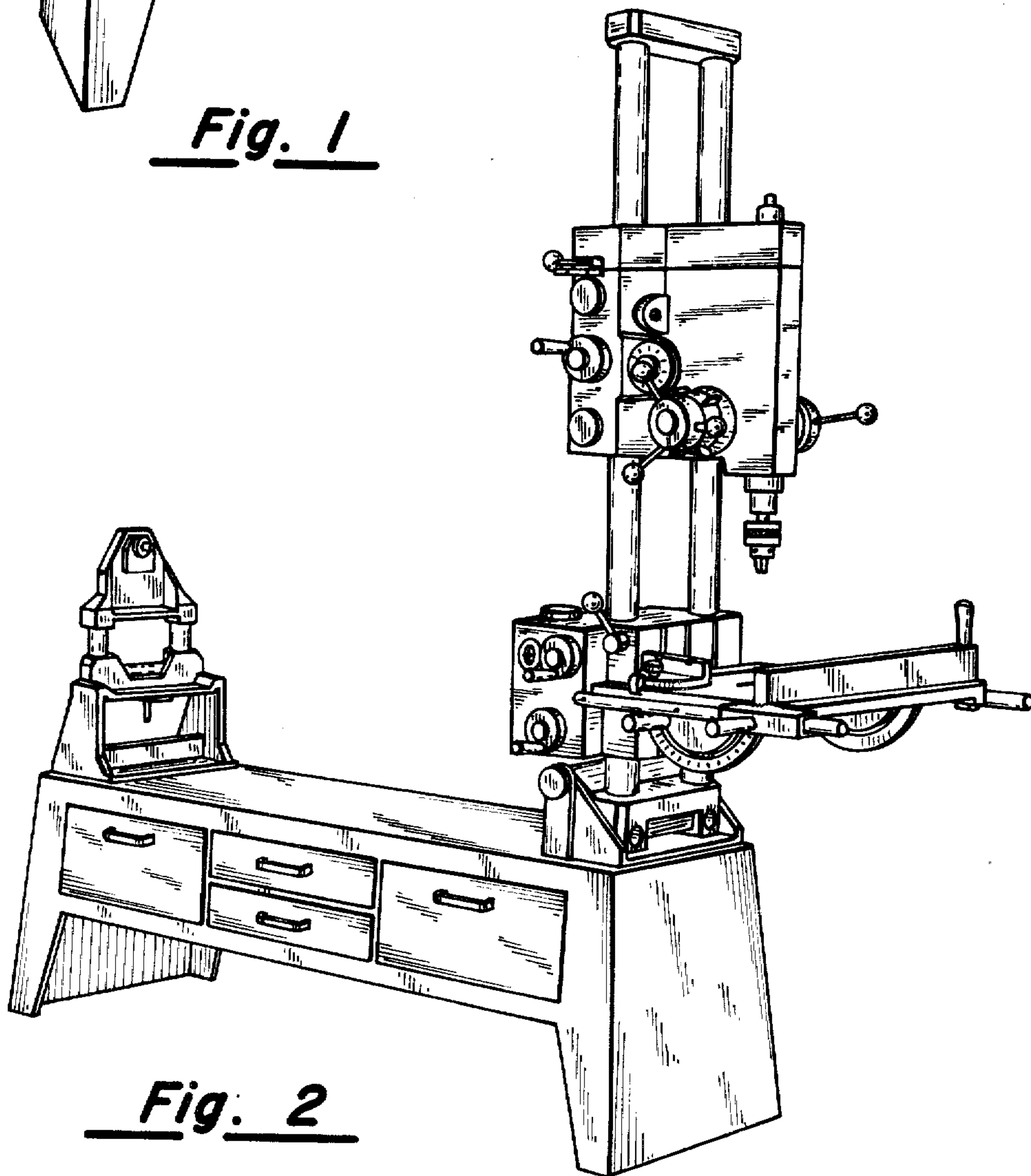


Fig. 2

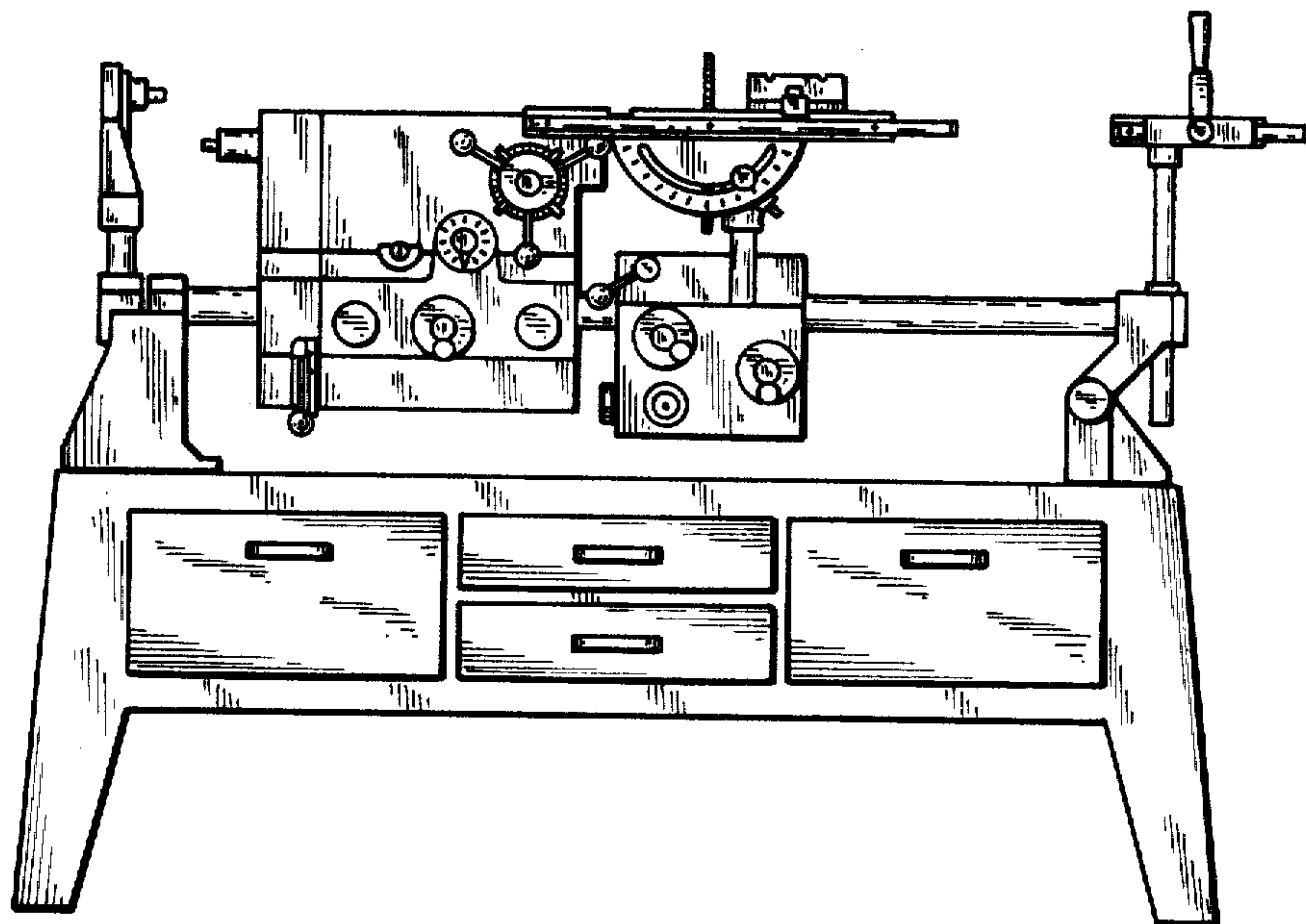


Fig. 3

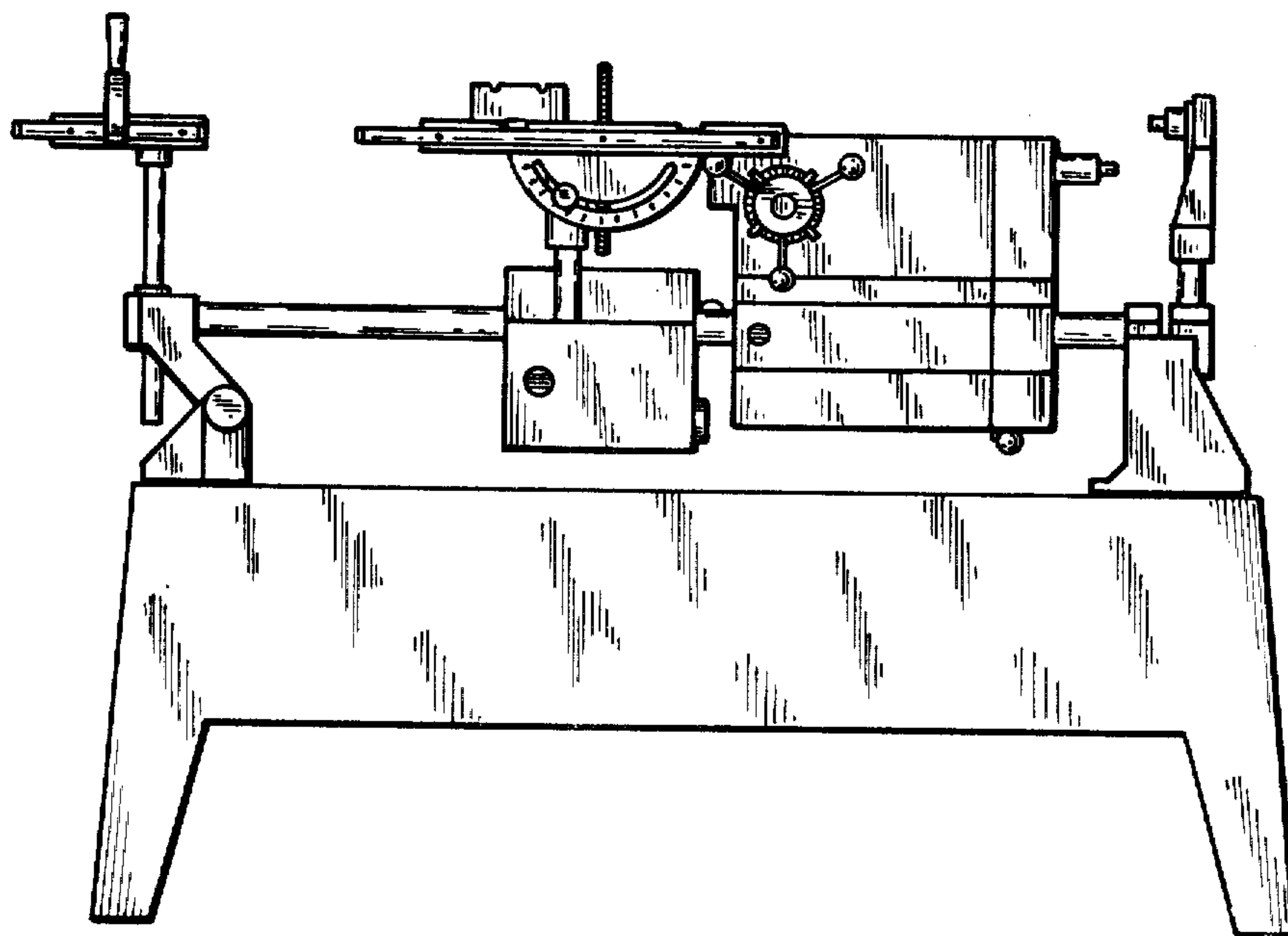


Fig. 4

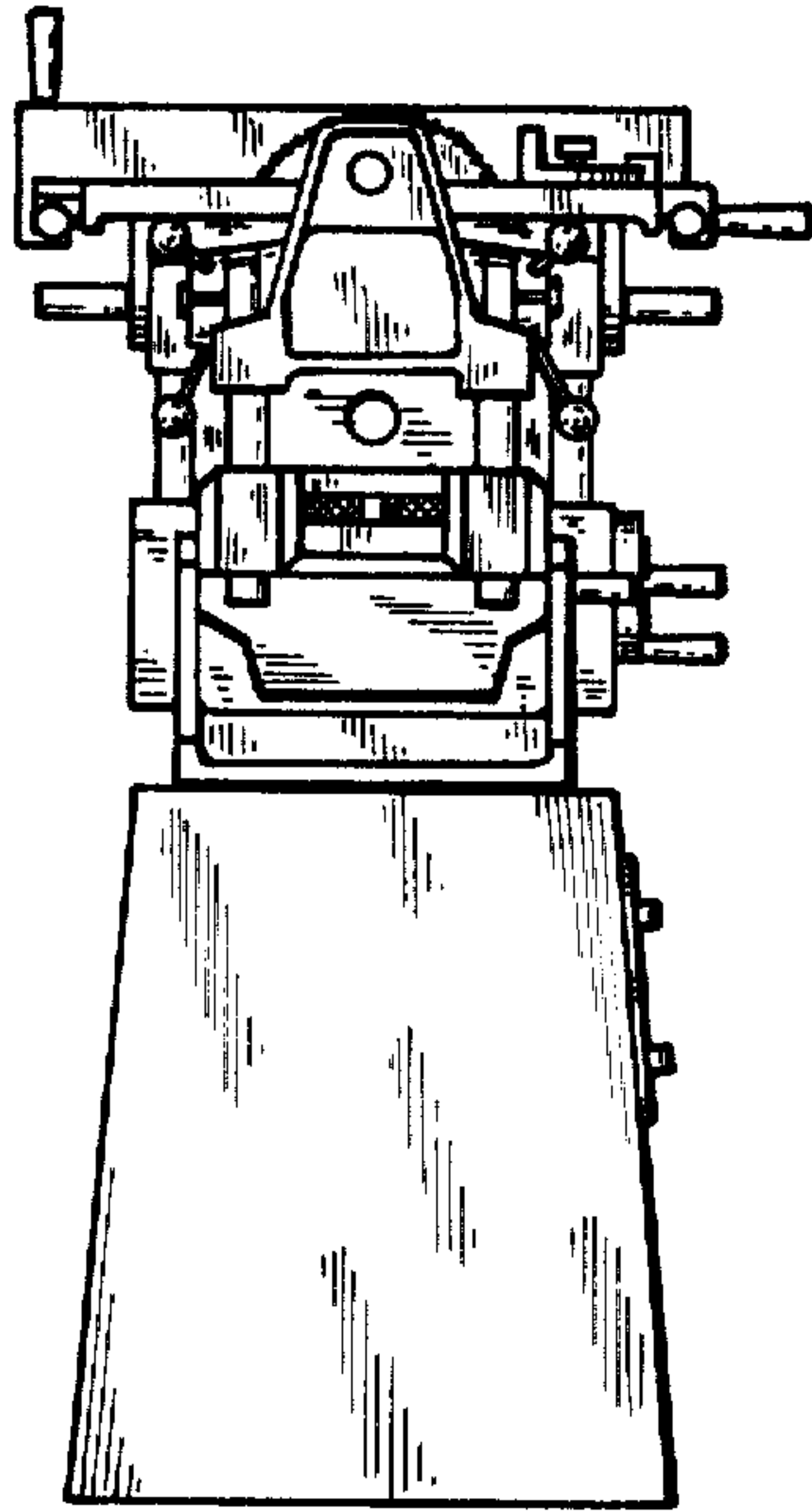


Fig. 5

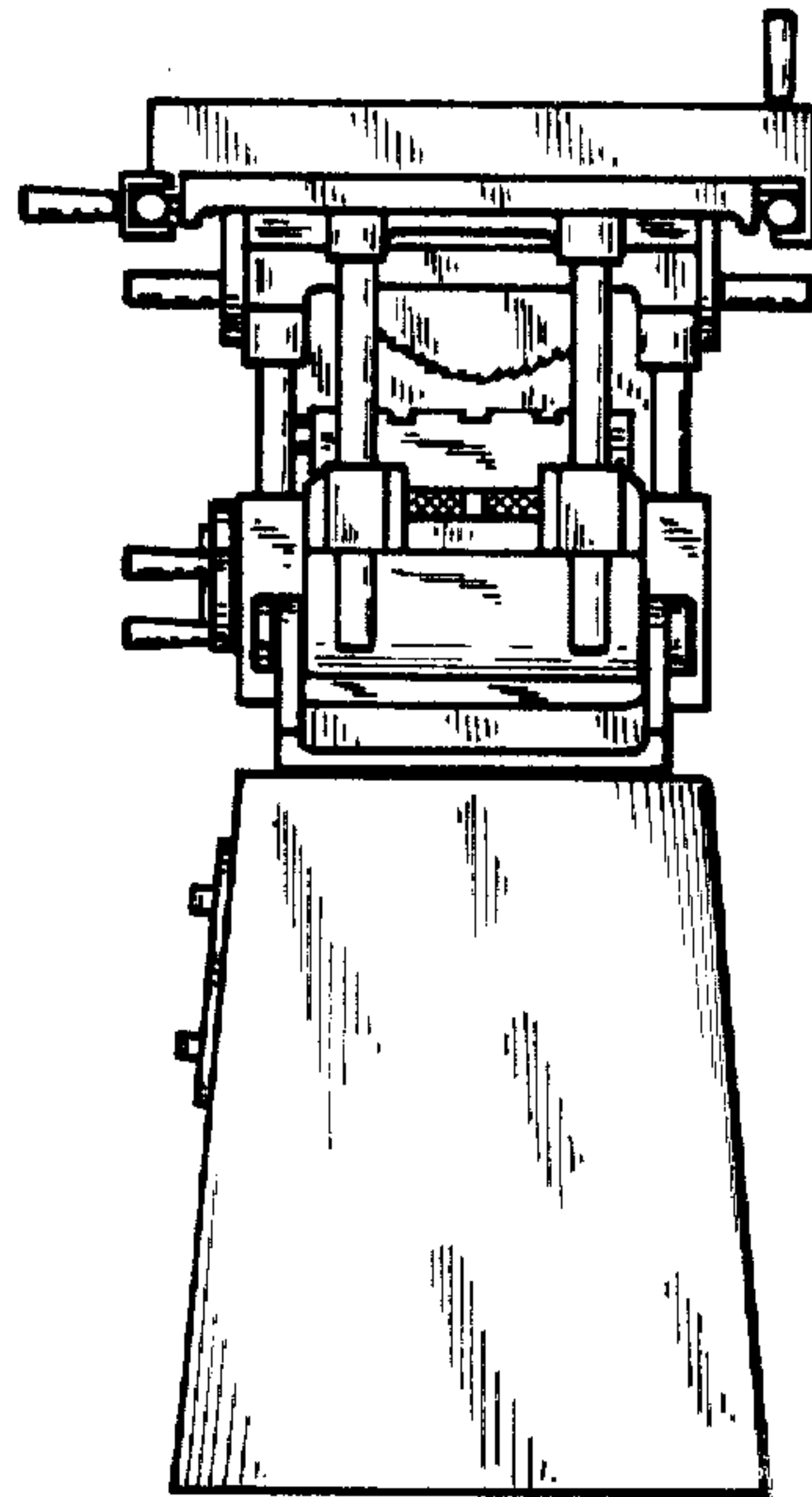


Fig. 6

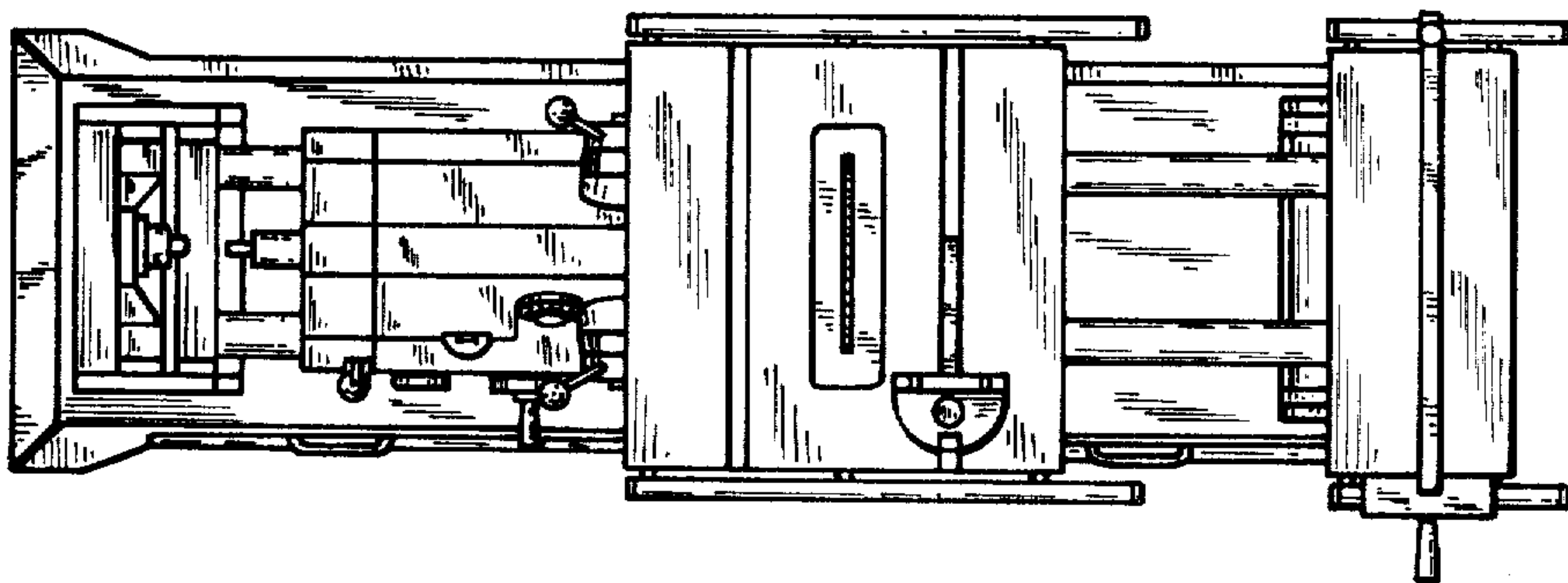


Fig. 7