

[54] DISPENSING CABINET

[76] Inventor: Alton D. Reece, 2115 Scott Rd.,
Brown Summit, N.C. 27214

[**] Term: 14 Years

[21] Appl. No.: 124,729

[22] Filed: Feb. 26, 1980

[51] Int. Cl. D15-99

[52] U.S. Cl. D15/111; D15/115

[58] Field of Search D6/114, 127, 130-132;
D7/52, 59, 213; D9/359-365, 435, 447, 454;
D15/92, 111, 119, 120; D16/27; 141/100, 321;
222/129, 165, 185; 312/35, 36, 42, 98, 248, 296,
305, 327

[56] References Cited

U.S. PATENT DOCUMENTS

31,633	3/1861	Schultz	312/327
D. 46,699	11/1914	Schuiling	D7/52
D. 170,777	11/1953	Trout et al.	D6/127
222,816	12/1879	Daniel	312/327

626,085	5/1899	Ormerod	222/165
924,197	6/1909	Shook	312/327
1,055,519	3/1913	Conser	312/327
1,192,228	7/1916	Rhodes	222/129 X
1,219,657	3/1917	Melchert	312/35
2,617,702	11/1952	Manning et al.	312/296
2,720,439	10/1955	San Cristoval	312/206
2,903,024	9/1959	Lohse et al.	141/100
3,162,497	12/1964	Boswikle et al.	312/248
3,344,958	10/1967	Kaanehe	222/181
3,722,972	3/1973	Deeds et al.	312/305

Primary Examiner—Leland A. Sebastian

[57] CLAIM

The ornamental design for a dispensing cabinet, as shown and described.

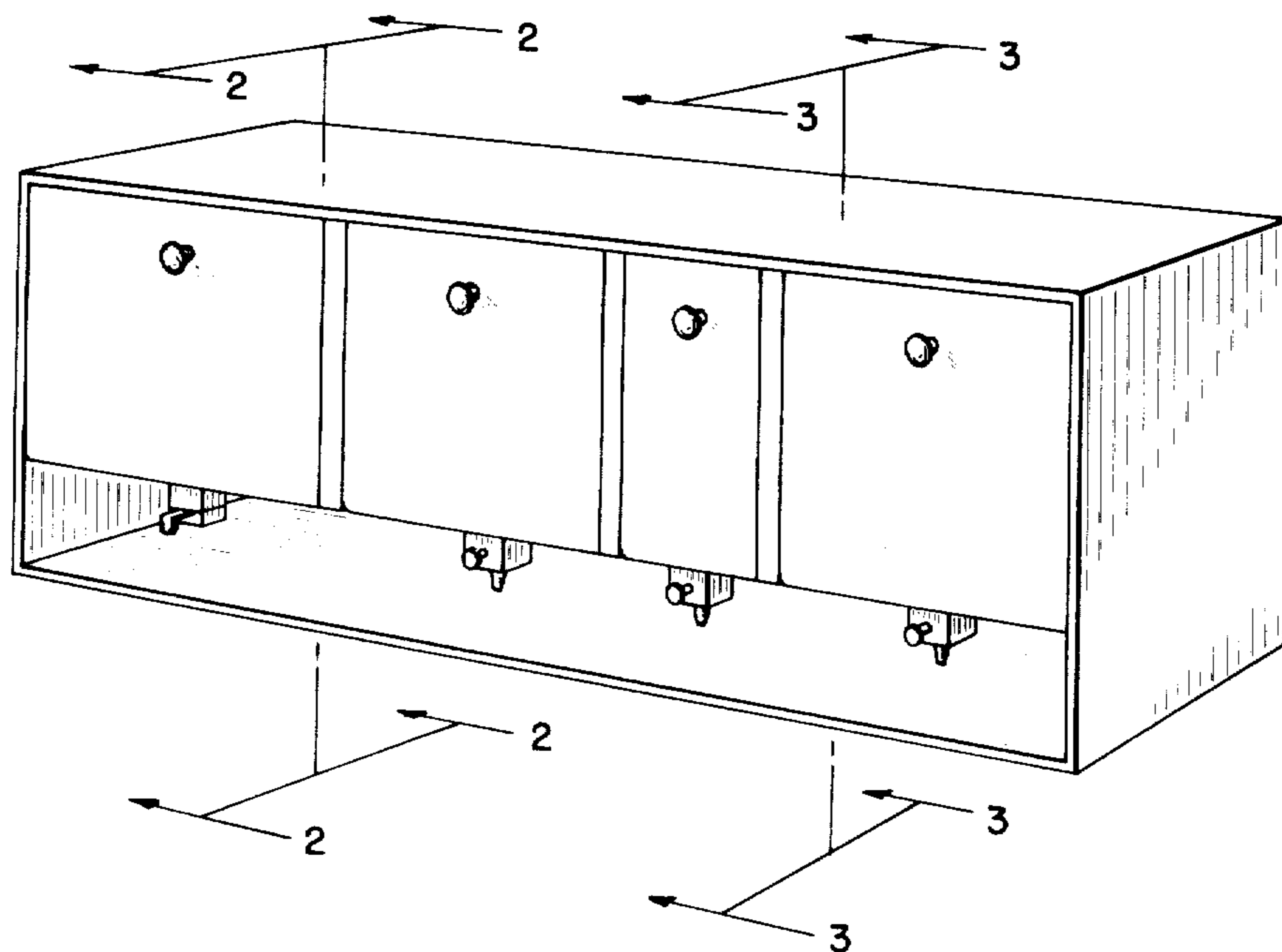
DESCRIPTION

FIG. 1 is a front perspective view of a dispensing cabinet showing my design;

FIG. 2 is a cross-sectional view taken along lines 2—2 of FIG. 1; and

FIG. 3 is a cross-sectional view taken along lines 3—3 of FIG. 1.

The back and bottom are plain and unornamented.



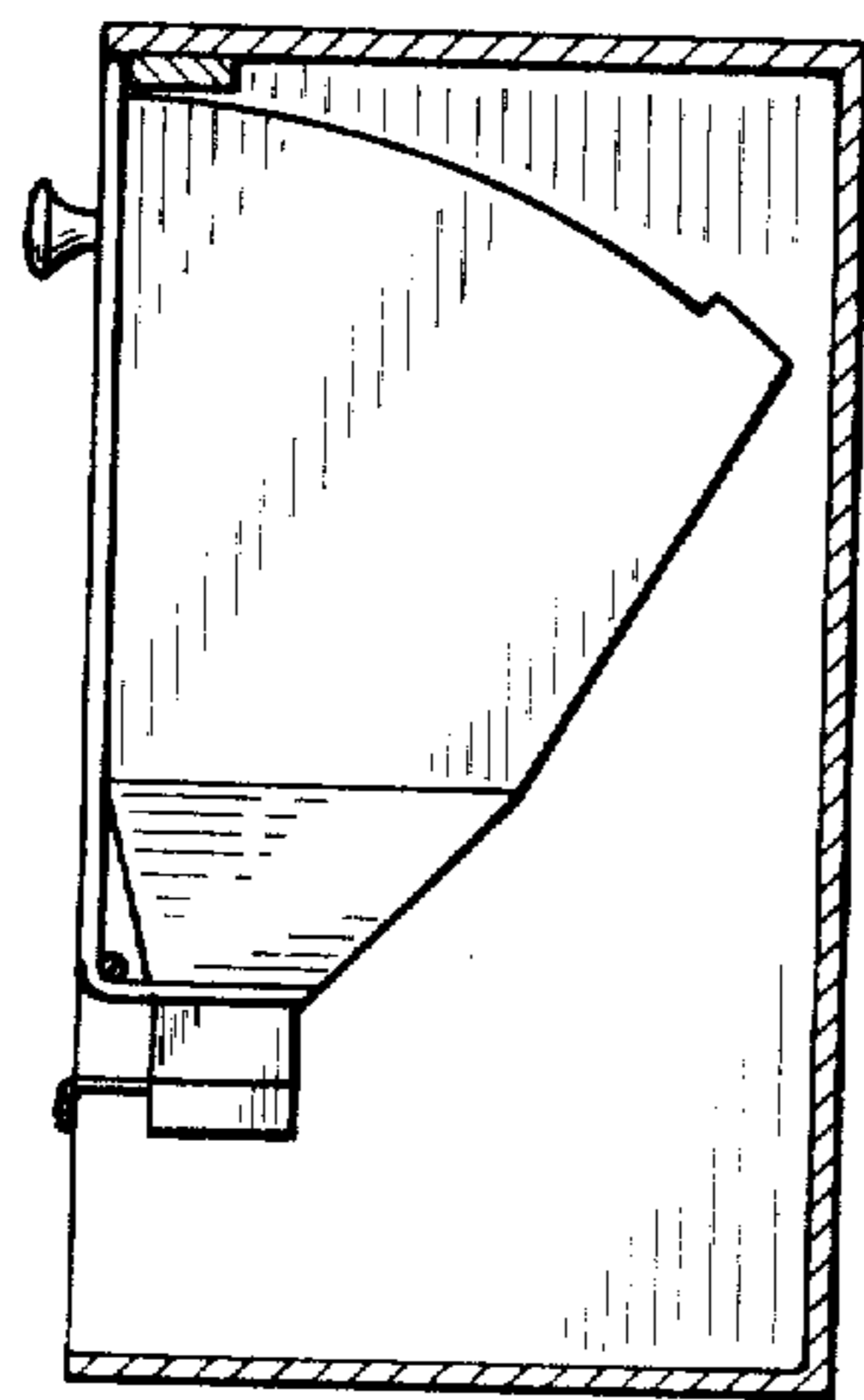
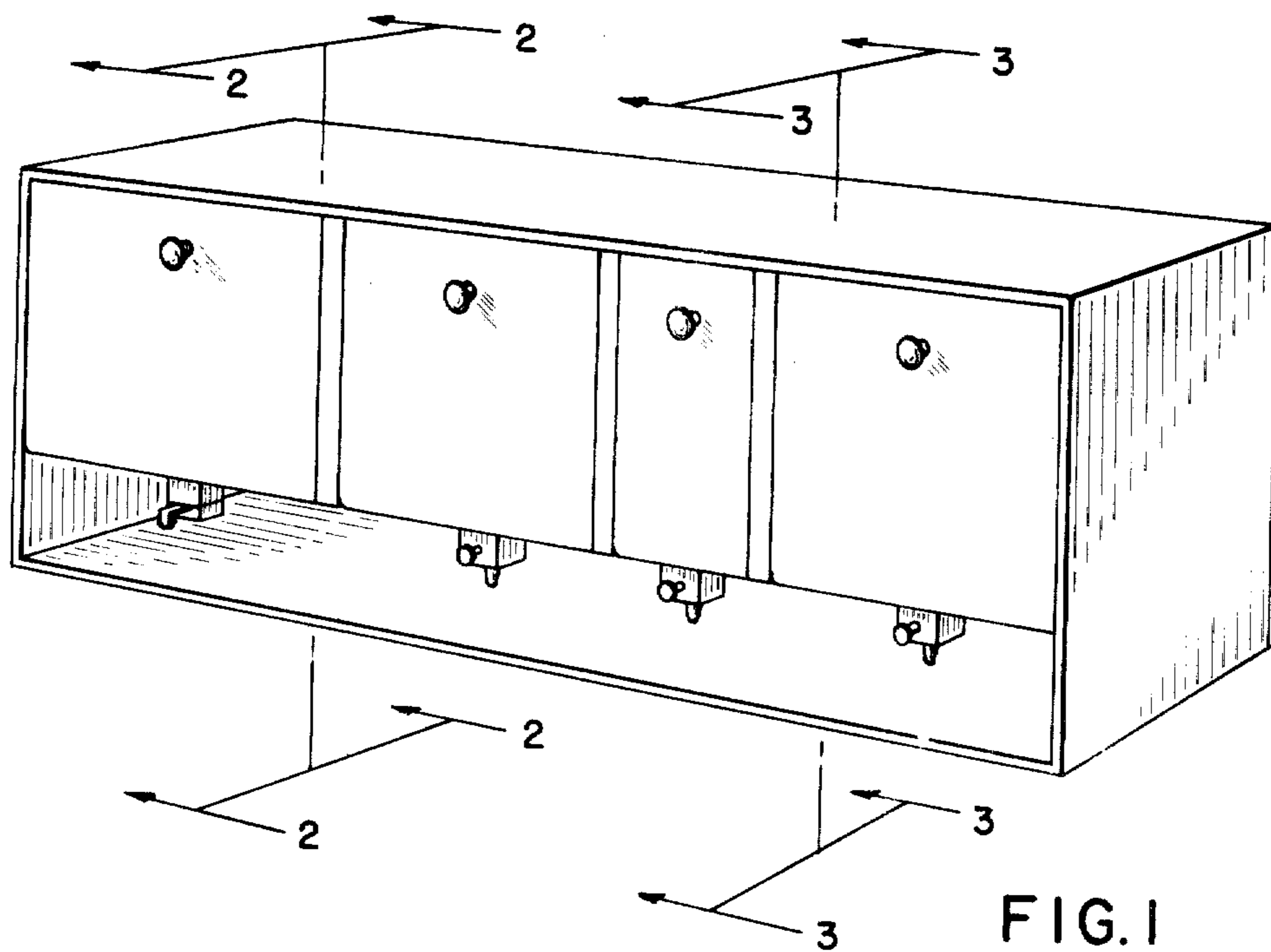


FIG. 2

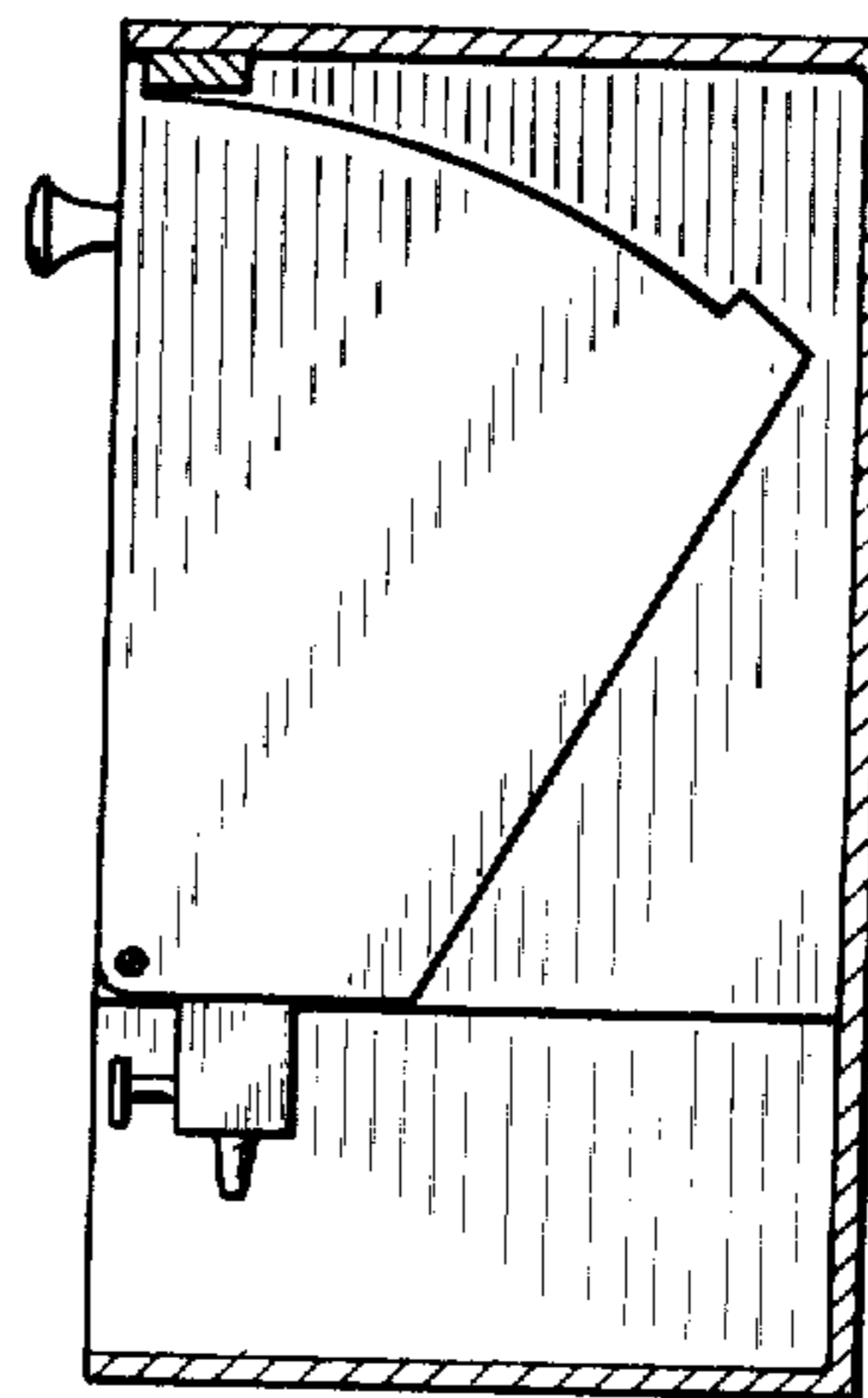


FIG. 3