

[54] AUTOMOBILE VACUUM CLEANER

[75] Inventors: Harold Osrow; Jacques L. Le Baigue; Armando A. Araujo, Jr., all of Old Bethpage, N.Y.

[73] Assignee: Osrow Products Corp., Old Bethpage, N.Y.

[\*\*] Term: 14 Years

[21] Appl. No.: 44,009

[22] Filed: May 31, 1979

[51] Int. Cl. .... D15-05

[52] U.S. Cl. .... D32/23

[58] Field of Search .... D15/52-55, D15/62-64; 15/320, 321, 324, 325, 327, 344

[56] References Cited

U.S. PATENT DOCUMENTS

- D. 174,841 5/1955 Trombley .
- D. 178,199 7/1956 Martinec .
- D. 178,322 7/1956 Kasper .
- D. 182,257 3/1958 Trombley .
- D.187,064 1/1960 Kasper .
- D. 189,743 2/1961 Happe .
- D. 230,692 3/1974 Wachsman .
- D. 230,693 3/1974 Wachsman .

- D. 238,742 2/1976 Brickley .
- D. 243,574 3/1977 Bartlett ..... D15/54
- 2,295,984 9/1942 Wilson .
- 2,892,511 6/1959 Gall et al. .... D15/54 X
- 3,246,359 4/1966 Griffiths ..... 15/323
- 4,218,805 8/1980 Brazier ..... 15/321

FOREIGN PATENT DOCUMENTS

1060405 4/1954 France .

Primary Examiner—Catherine E. Kemper  
Attorney, Agent, or Firm—Kirschstein, Kirschstein, Ottinger & Cobrin

[57] CLAIM

The ornamental design for an automobile vacuum cleaner, substantially as shown and described.

DESCRIPTION

FIG. 1 is a perspective view of an automobile vacuum cleaner showing our new design and shown with a hose and nozzle in broken lines for illustrative purposes only; FIG. 2 is a top plan view thereof, shown on a larger scale; FIG. 3 is a right side elevational view, the left side being a mirror image thereof; FIG. 4 is a rear elevational view thereof; FIG. 5 is a front elevational view thereof; and FIG. 6 is a bottom plan view thereof.

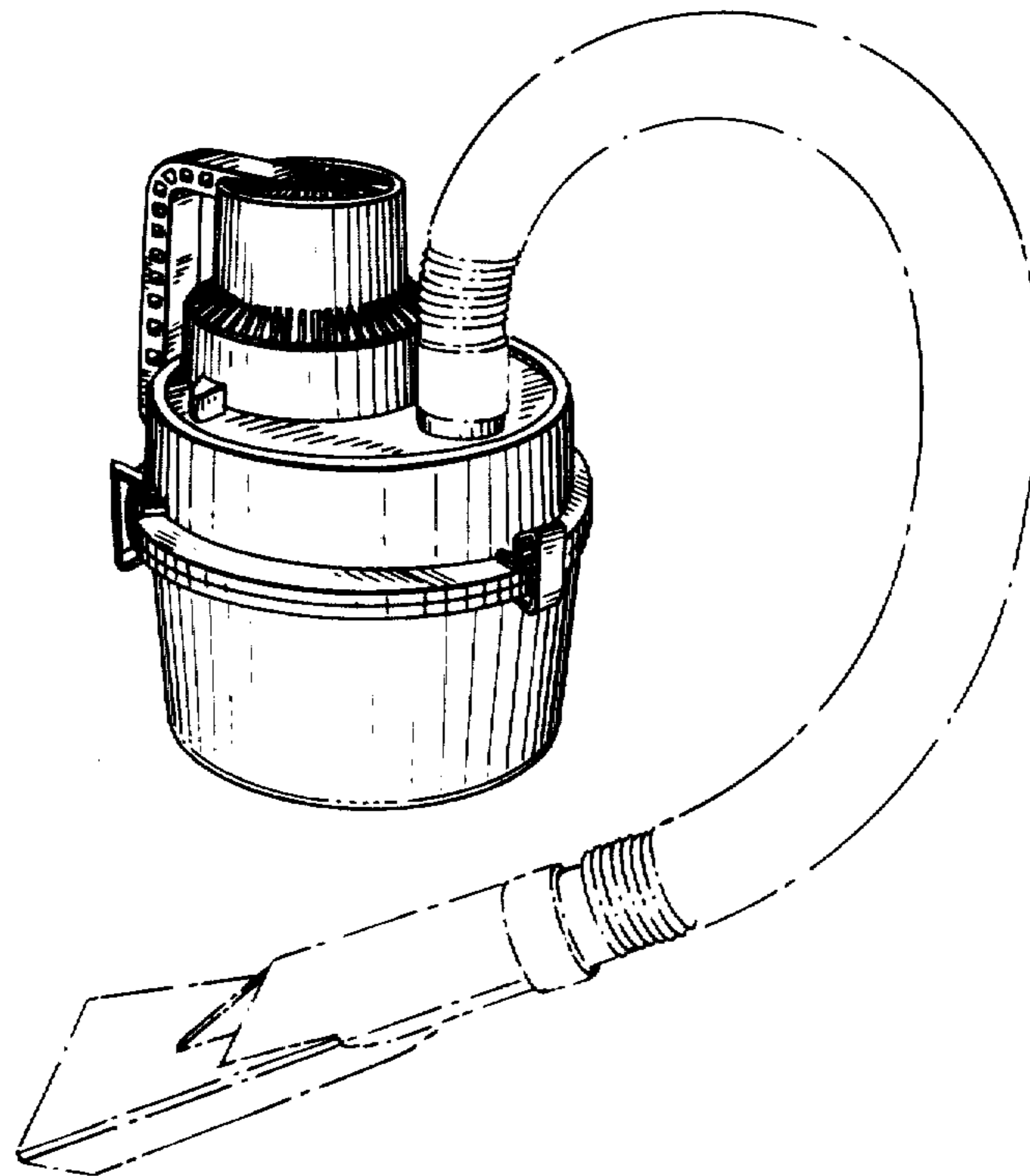


FIG. 2

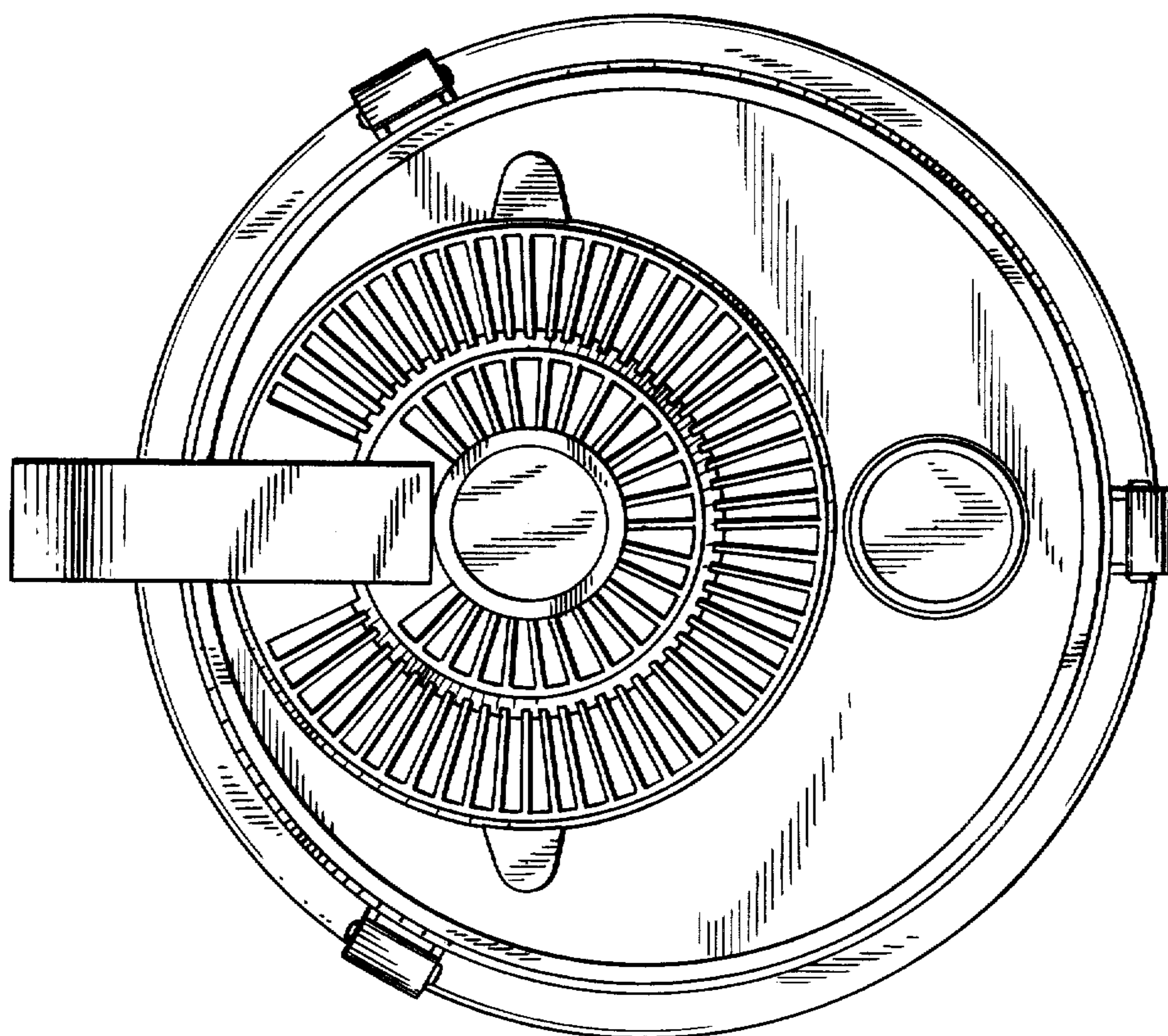


FIG. 1

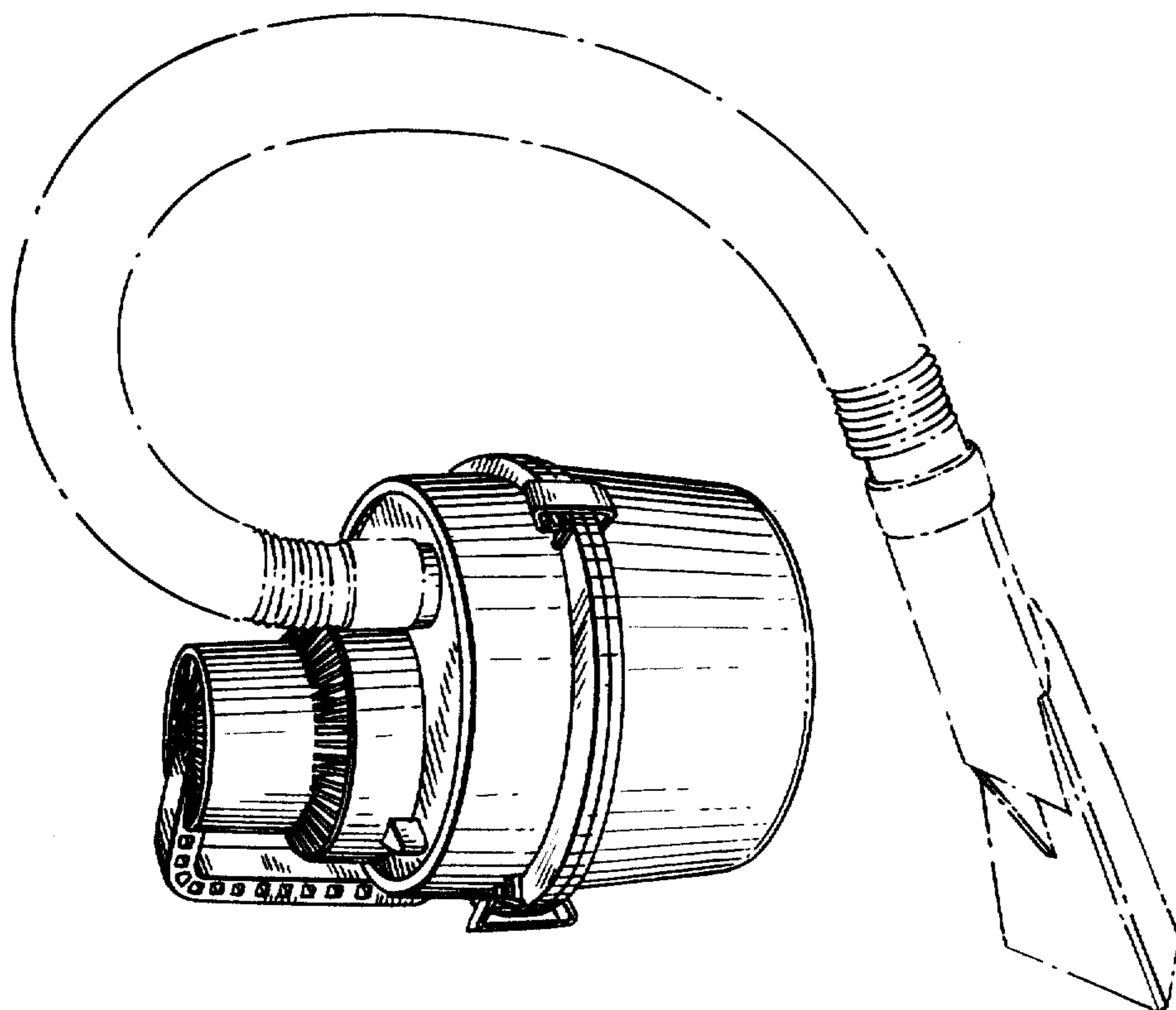


FIG. 4

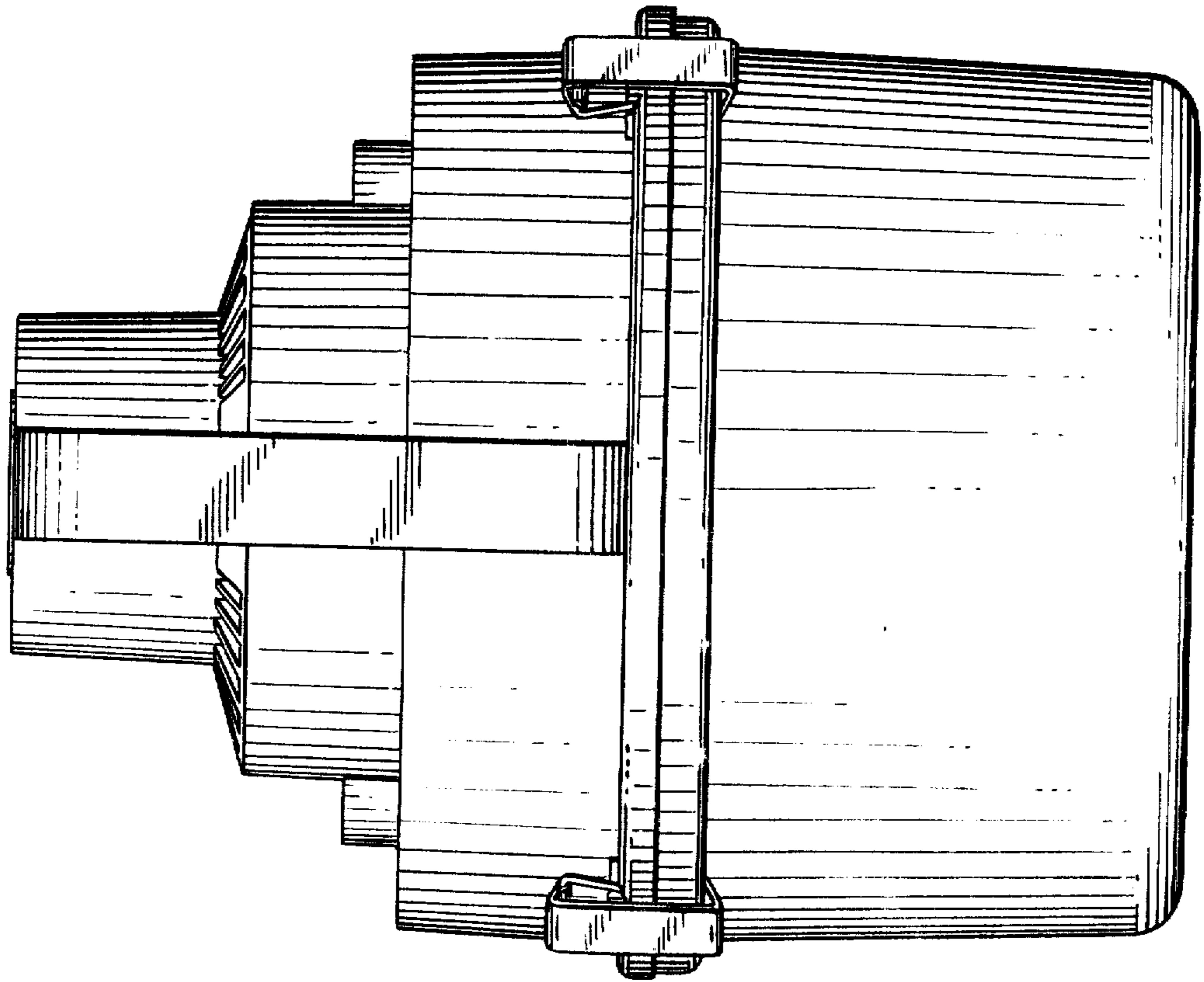


FIG. 3

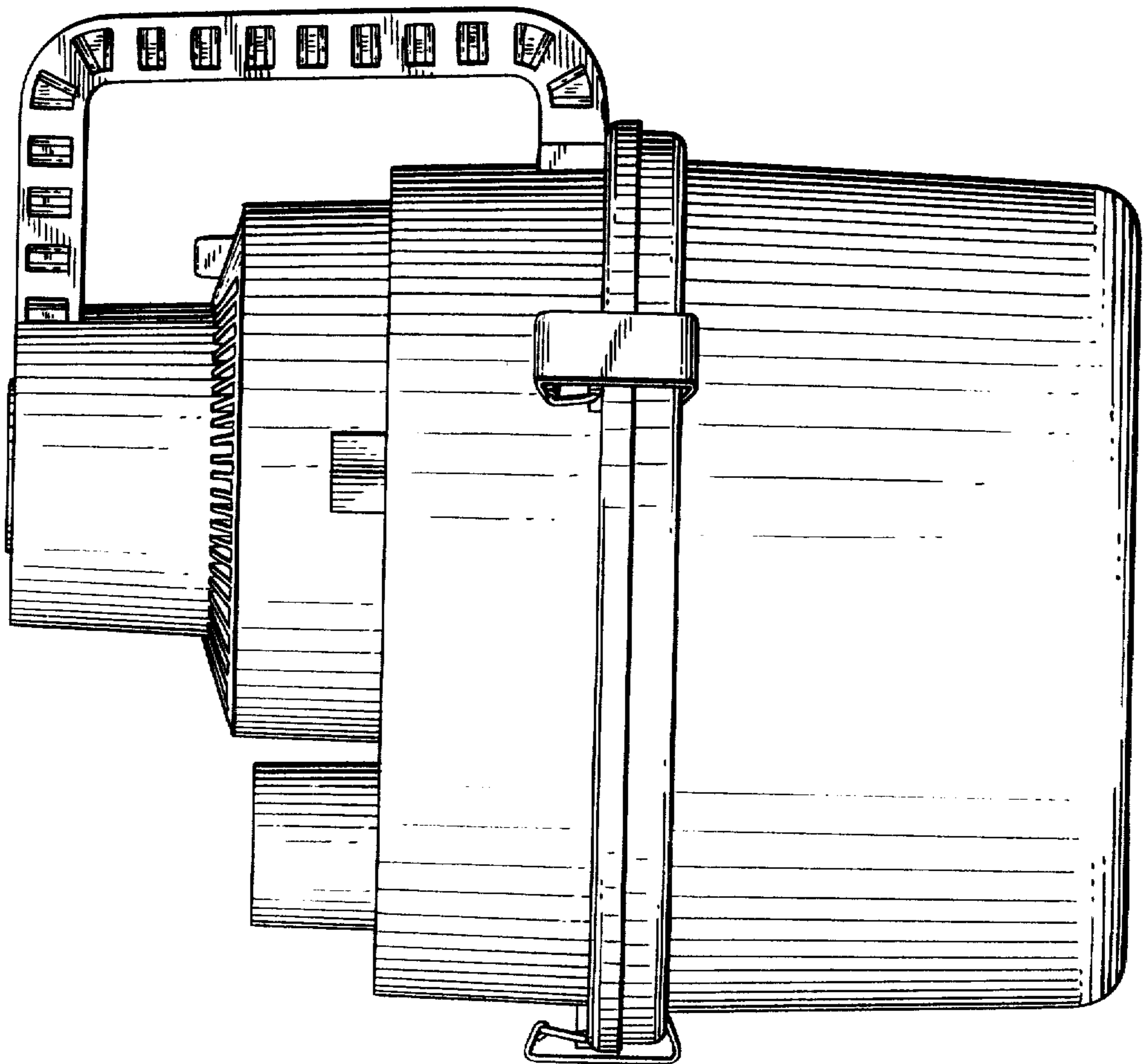




FIG. 6

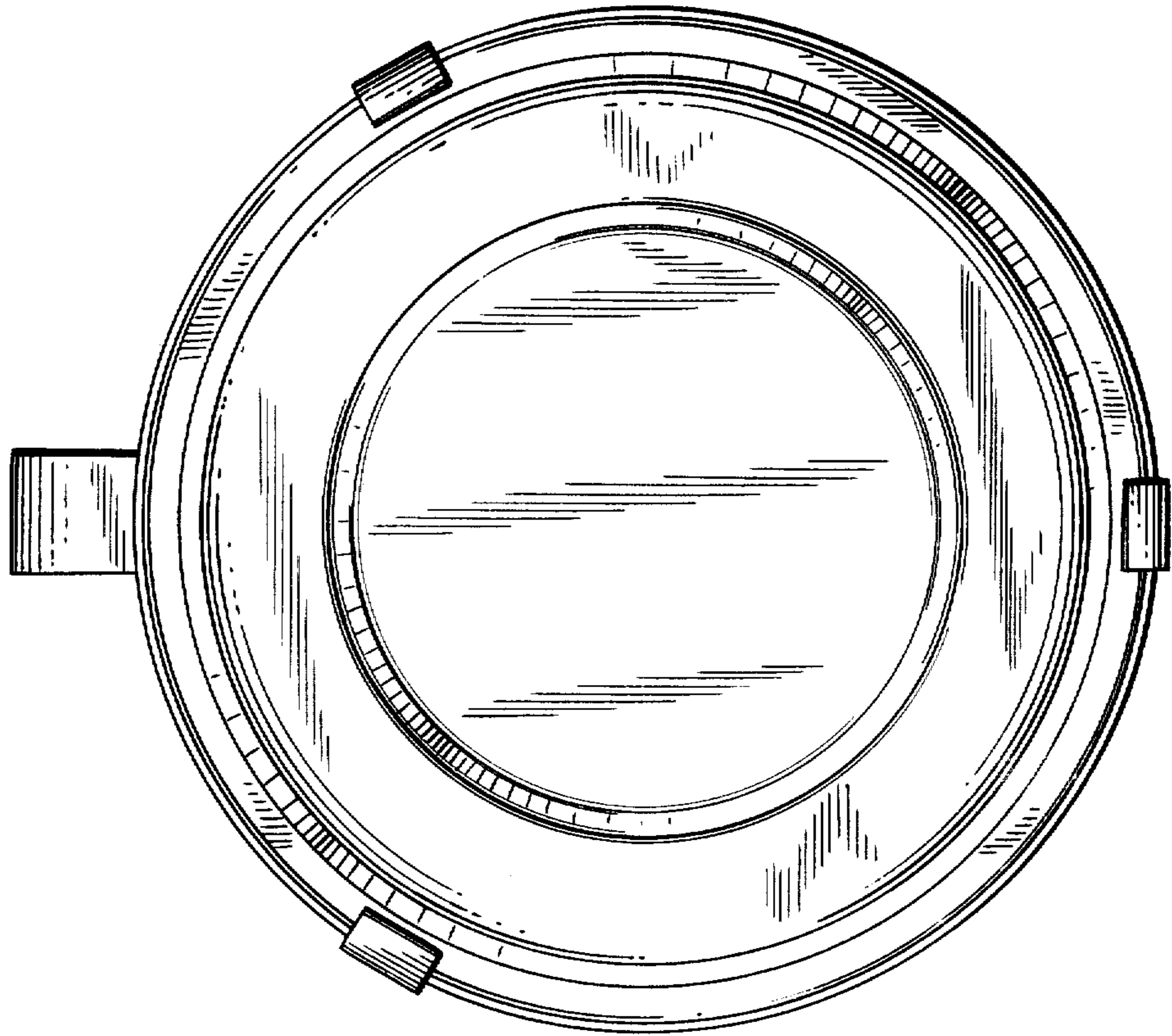


FIG. 5

