

[54] TELEPHONE-MOUNTABLE HOLDER WITH CLIP TO RETAIN WRITING INSTRUMENT

[76] Inventor: Frederick Francis, 13800 Terrace Rd. #819, East Cleveland, Ohio 44112

[**] Term: 14 Years

[21] Appl. No.: 69,225

[22] Filed: Aug. 23, 1979

[51] Int. Cl. D14-03

[52] U.S. Cl. D14/66; D14/60

[58] Field of Search D14/53, 60, 61, 63, D14/66; 40/336, 337; 179/90 K, 146 R, 178, 179, 184; 281/15

[56] References Cited

U.S. PATENT DOCUMENTS

D. 111,120	8/1938	Thomas	D19/87
D. 148,464	1/1948	Goldman	D14/60
D. 160,224	9/1950	Smyth	179/178
D. 161,864	2/1951	O'Donnell	D19/87
D. 164,173	8/1951	Ives	D14/59
D. 167,523	8/1952	Mayo	D14/60
D. 173,761	12/1954	Meltzer	D19/87
D. 179,993	4/1957	Waxman	D14/59
D. 185,453	6/1959	McCracken	179/178
D. 192,667	4/1962	McFadyen	D19/87
D. 193,431	8/1962	Newton	D14/59
D. 196,548	10/1963	Nielson	D19/78
D. 202,078	8/1965	Marder	D19/78
D. 204,548	4/1966	Aro	D14/59
D. 205,871	9/1966	Young	D19/87
D. 211,218	5/1968	Gafford	D19/36
1,226,452	5/1917	Bolton	248/451
1,789,264	1/1931	Revelle	281/15
2,430,530	11/1947	Muther	179/90
2,553,853	5/1951	Fisher	40/337
2,580,819	1/1952	Nagy	179/178
2,604,724	7/1952	Watts	281/15
2,620,407	12/1952	Nagy	179/178
2,626,479	3/1953	Marrits	281/15
2,757,022	7/1956	Young	281/15
2,808,668	10/1957	Christin	40/337
2,915,841	12/1959	Van Dyke	40/102
3,063,183	11/1962	Long	40/336
3,084,473	4/1963	Castro	179/178

3,085,134	4/1963	Bissonnette	179/146
3,166,288	1/1965	Eisenberg	24/441 R
3,345,769	10/1967	Nathan	40/336
3,410,513	11/1968	Wolf	248/205
3,436,855	4/1969	Foley	40/336
3,826,519	7/1974	Gavin	281/15
3,843,166	10/1974	Barone	281/15 B
3,909,967	10/1975	Foley	40/336
4,004,112	1/1977	Einstein	179/178

Primary Examiner—Veronica O'Keefe
Attorney, Agent, or Firm—Burge & Porter Co. •

[57] CLAIM

The ornamental design for a telephone-mountable holder with clip to retain writing instrument, as shown and described.

DESCRIPTION

FIG. 1 is a front elevational view of a telephone-mountable holder with clip to retain writing instrument embodying my new design and having a writing instrument shown in broken lines as being retained in the clip of the holder;

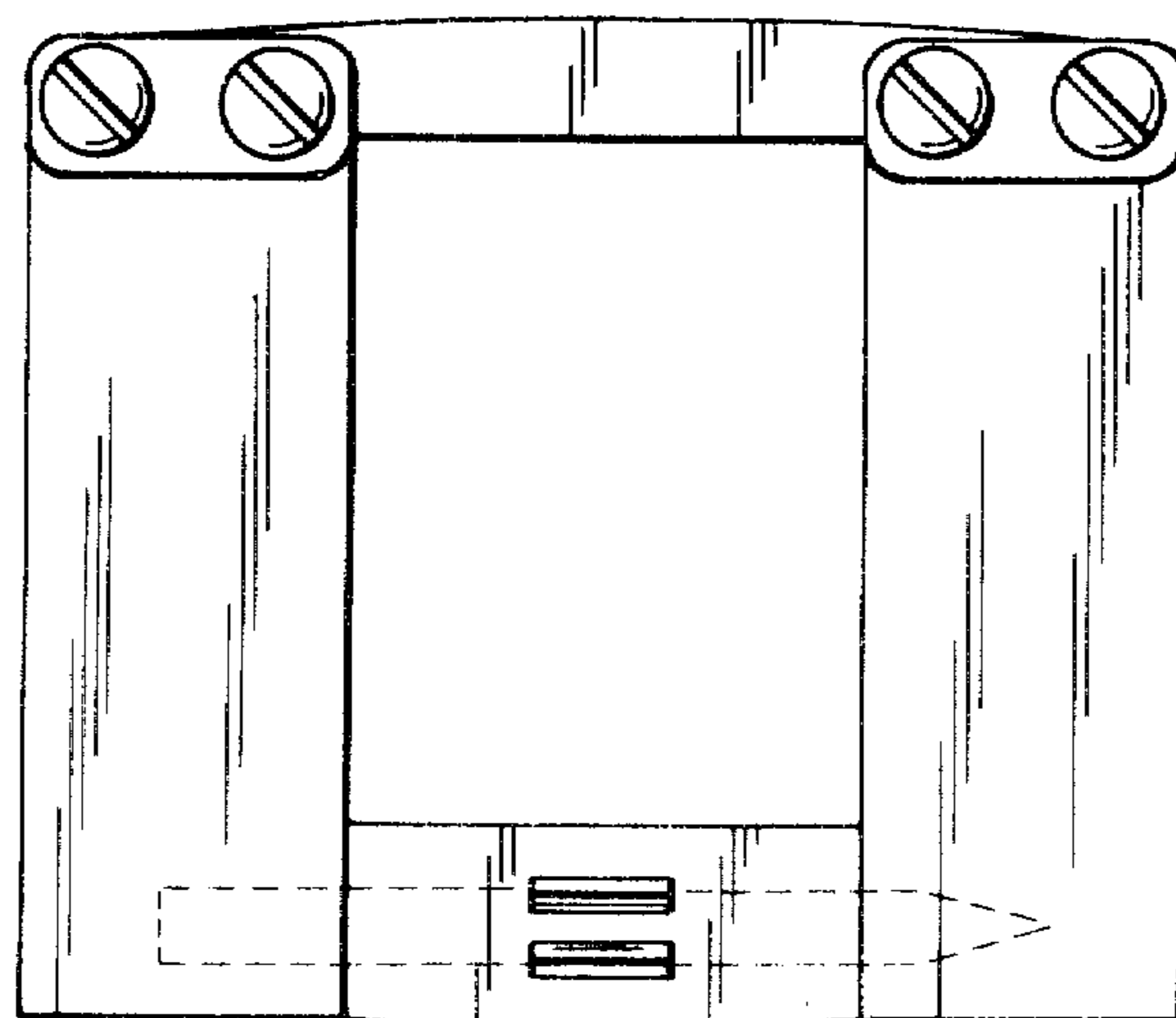
FIG. 2 is a bottom plan view thereof;

FIG. 3 is a rear elevational view thereof;

FIG. 4 is a side elevational view thereof; and

FIG. 5 is a perspective view of the telephone-mountable holder with clip to retain writing instrument shown mounted on a telephone to better illustrate the design of the invention, the holder being shown with a writing instrument held in its clip, the telephone and the writing instrument being illustrated in broken lines inasmuch as these things form no part of the design.

It will be understood that the telephone-mountable holder with clip to retain writing instrument shown in the accompanying drawings is characteristically formed of a backing sheet having a rectangular opening formed therethrough. The backing sheet is mountable on the face of a conventional push-button telephone with the buttons of the telephone extending through the rectangular opening. Memo and/or index pads of the configuration shown are supported by the holder at locations on opposite sides of the opening. A spring-type clip is provided for releasably retaining a conventional writing instrument such as a pencil or ball-point pen.



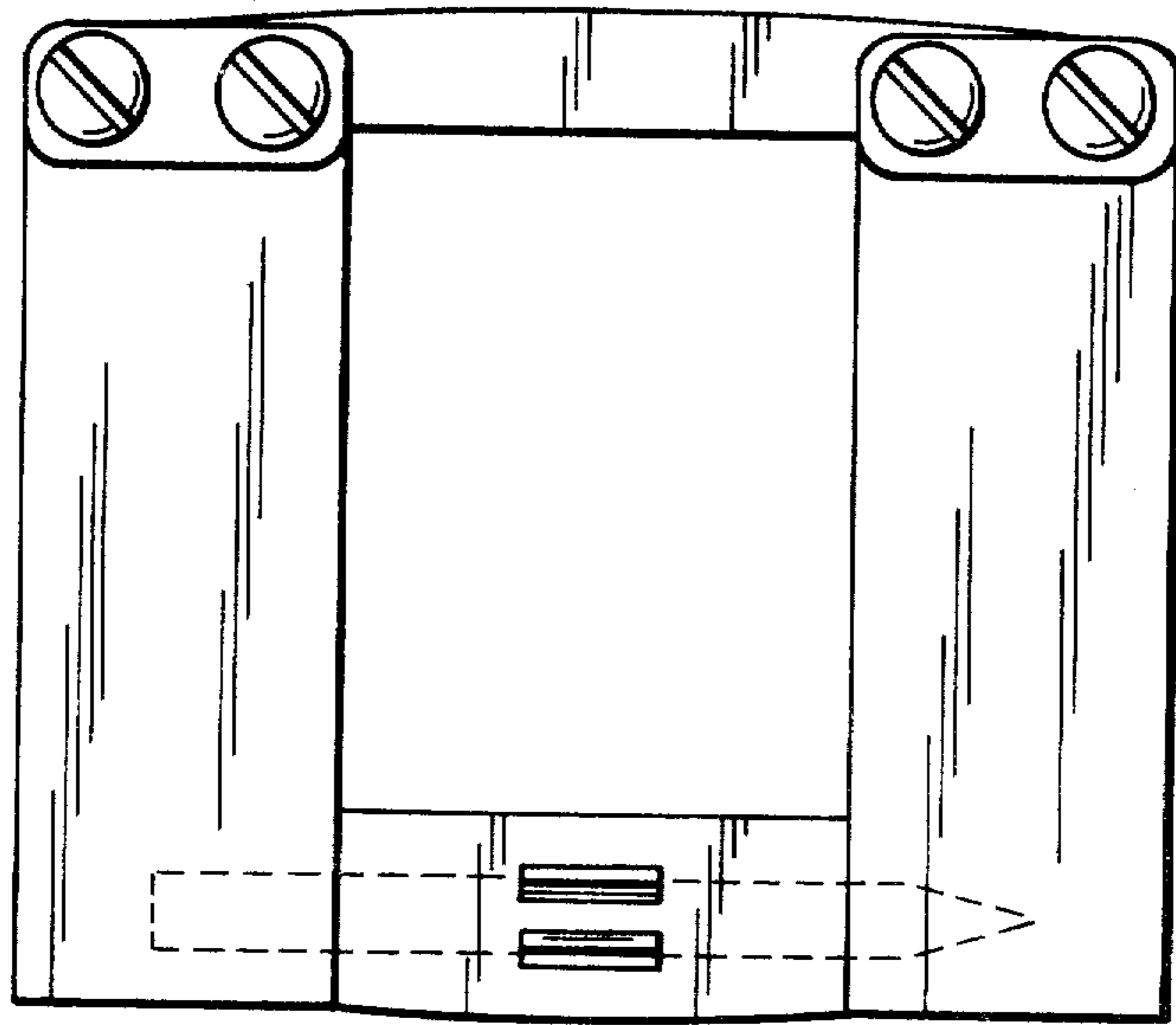


FIG. 1

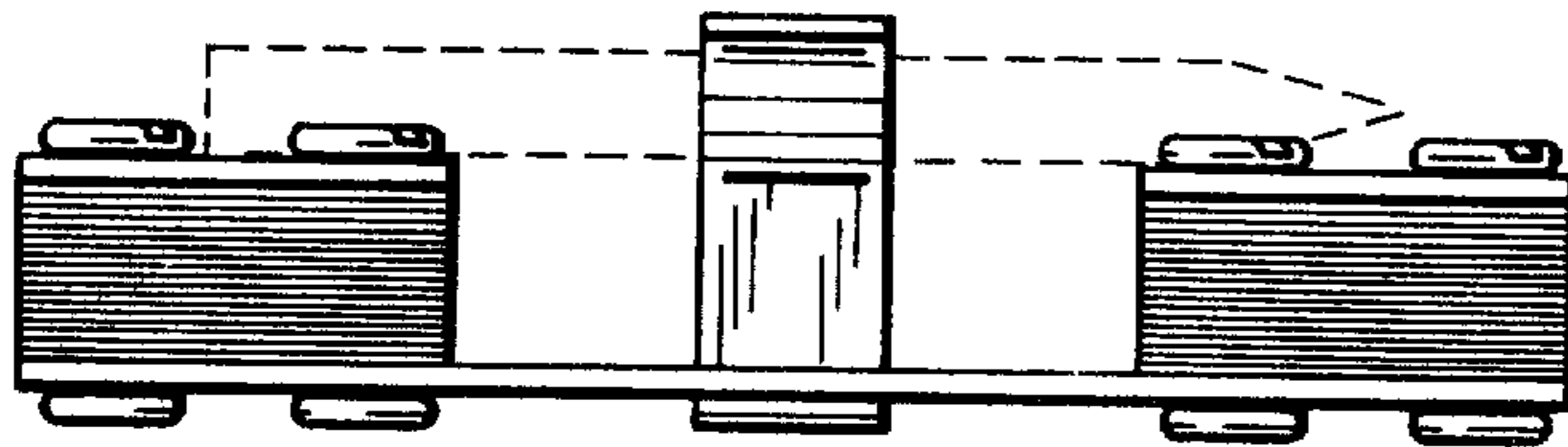


FIG. 2

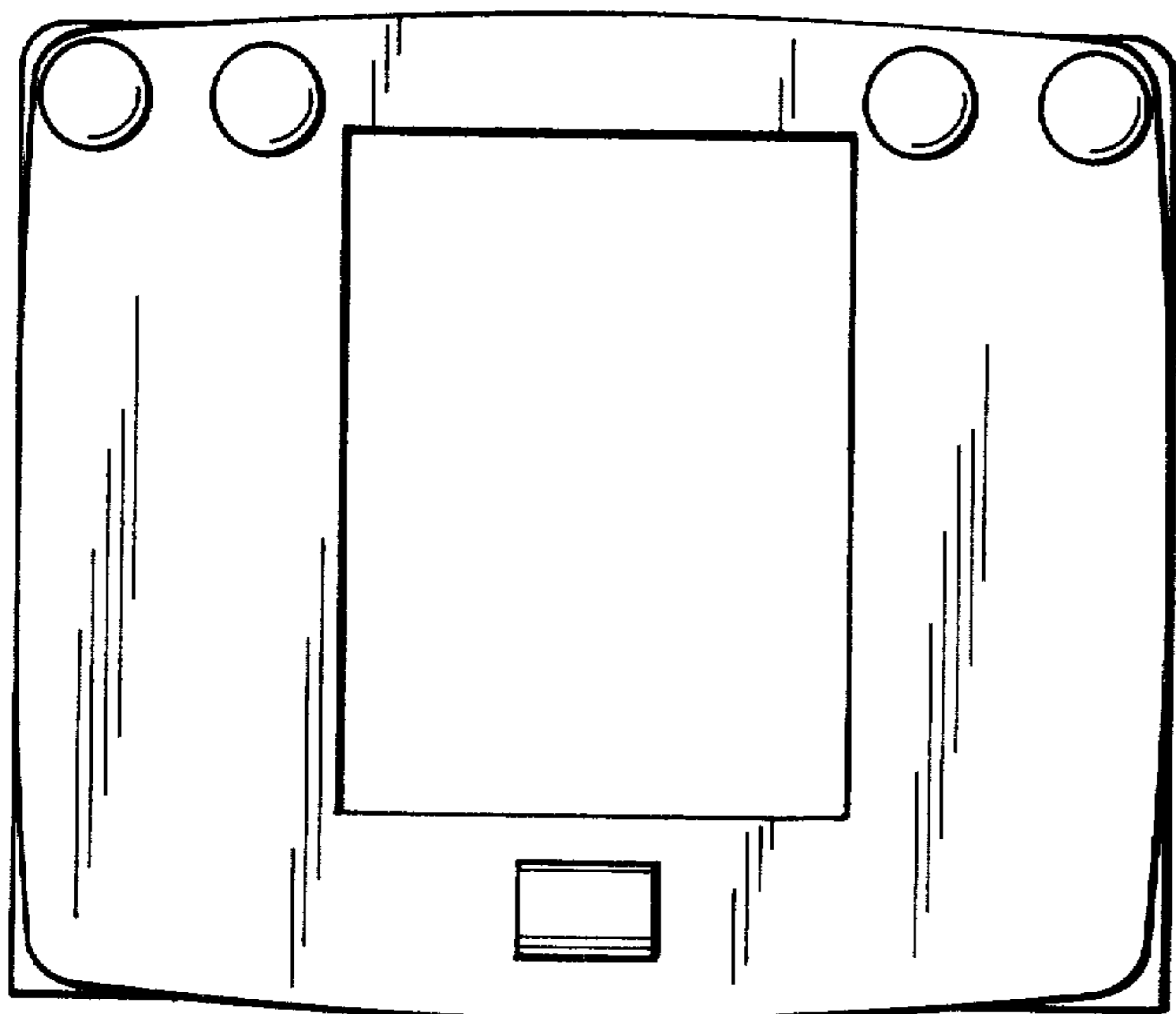


FIG. 3

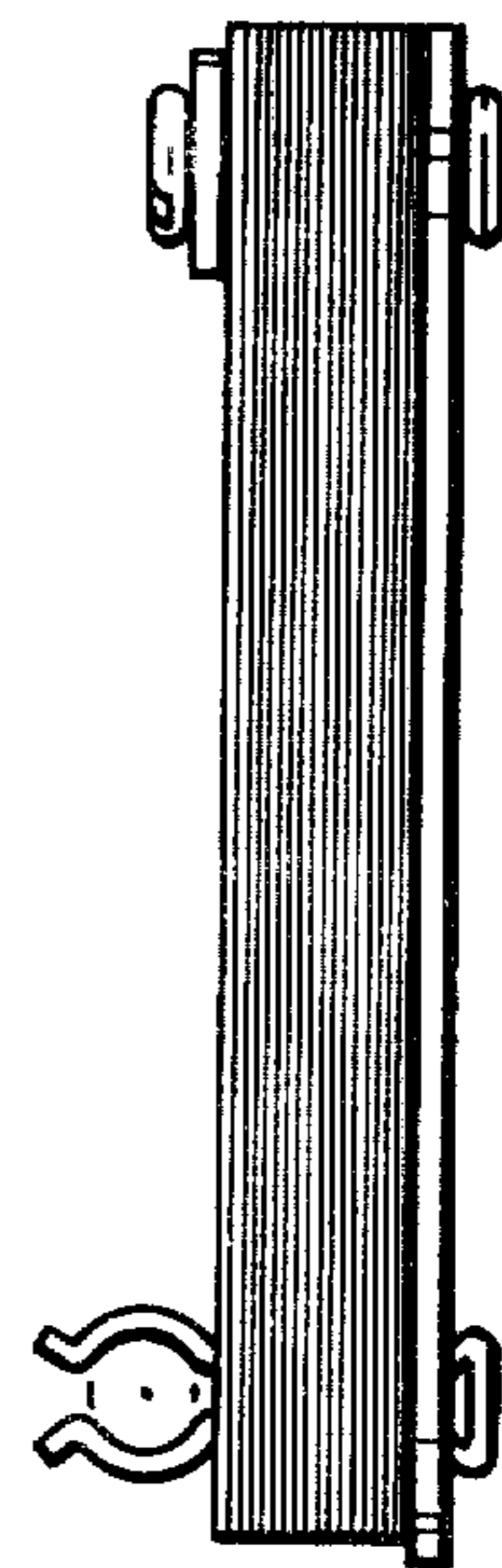


FIG. 4

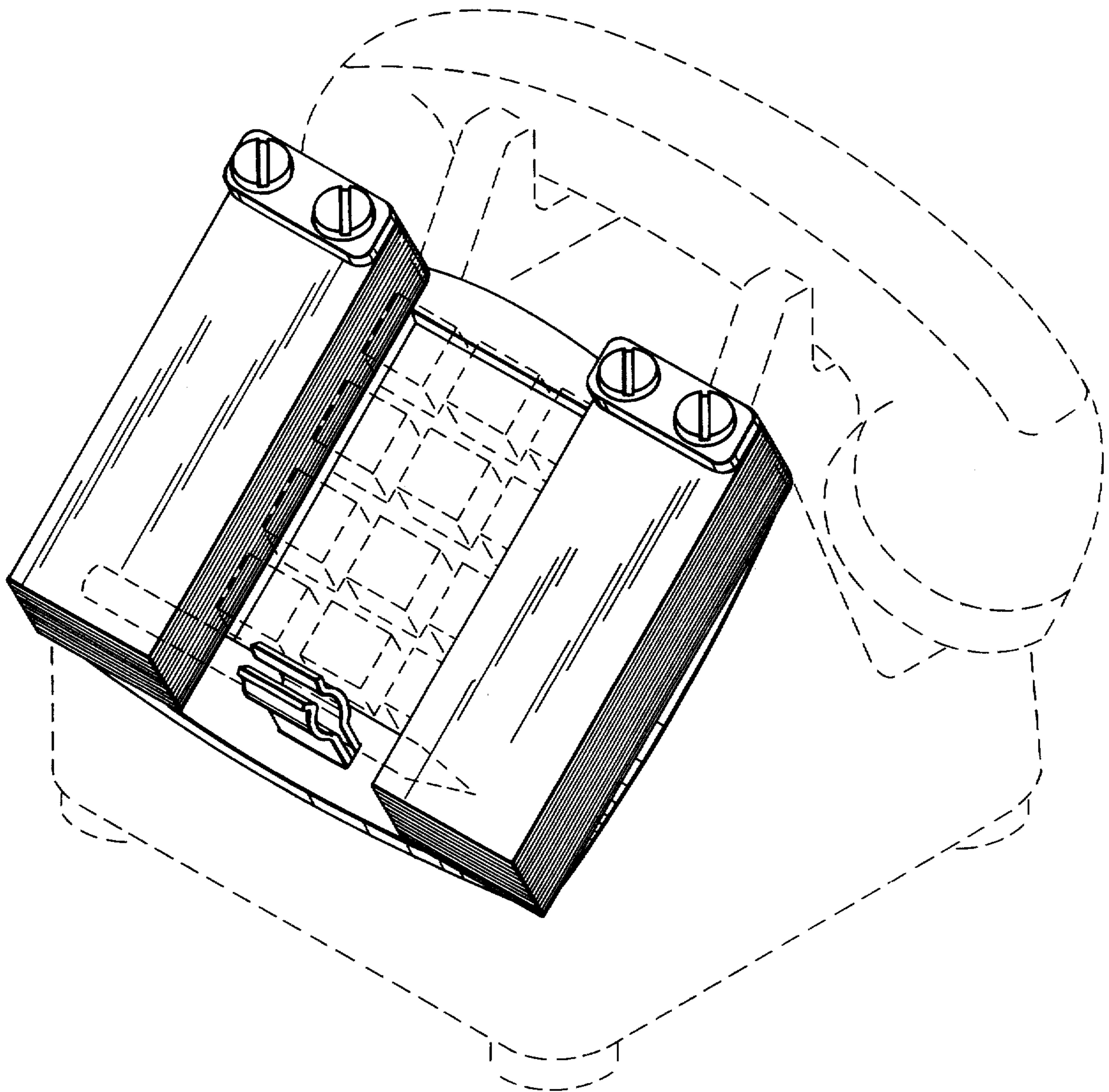


FIG. 5