

[54] VISUAL RECEIVER

[76] Inventors: Robert C. Sistek, 210 Grant St.; Richard J. Kuhn, 1754 Marion Dr., both of North Huntingdon; Thomas I. Agnew, 1920 Highland Ave., Irwin, all of Pa. 15642

[\*\*] Term: 14 Years

[21] Appl. No.: 58,514

[22] Filed: Jul. 18, 1979

[51] Int. Cl. .... D14-03

[52] U.S. Cl. .... D14/53; D10/111; 179/90 AN; D14/1

[58] Field of Search ..... D14/53; 455/89, 90; 179/90 AN, 103, 179; D10/111

[56] References Cited

U.S. PATENT DOCUMENTS

D. 198,956	8/1964	Kress	.....	D10/111
D. 214,216	5/1969	Dreyfuss	.....	D10/111
D. 256,001	7/1980	Curran	.....	D10/111
4,081,623	3/1978	Vogeley	.....	179/90 AN

Primary Examiner—Veronica O’Keefe  
Attorney, Agent, or Firm—Jon M. Lewis

[57] CLAIM

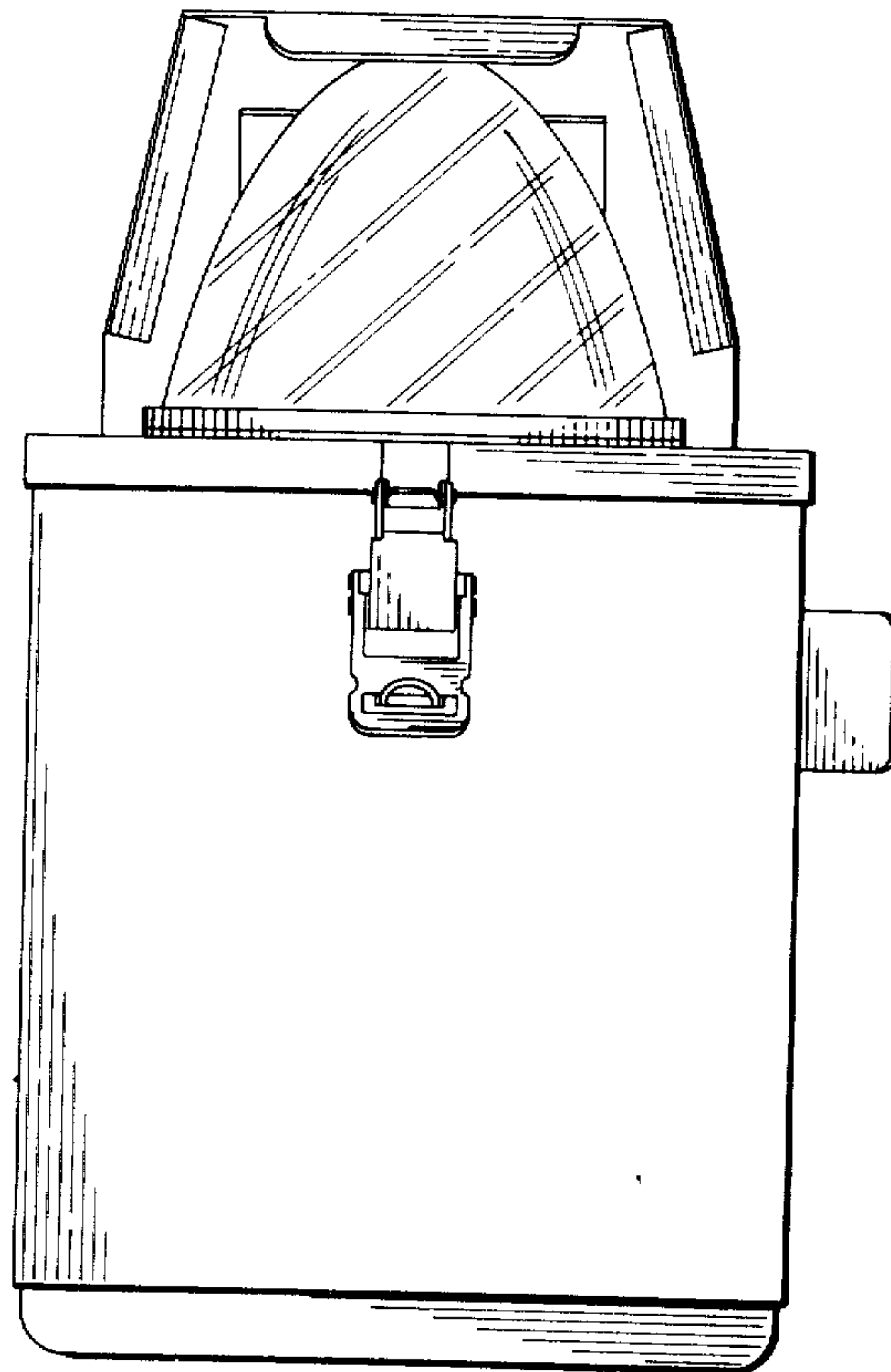
The ornamental design for a visual receiver, as shown.

DESCRIPTION

FIG. 1 is a front plan view of a visual receiver showing our new design.

FIG. 2 is a right side plan view thereof.

FIG. 3 is a top plan view thereof.



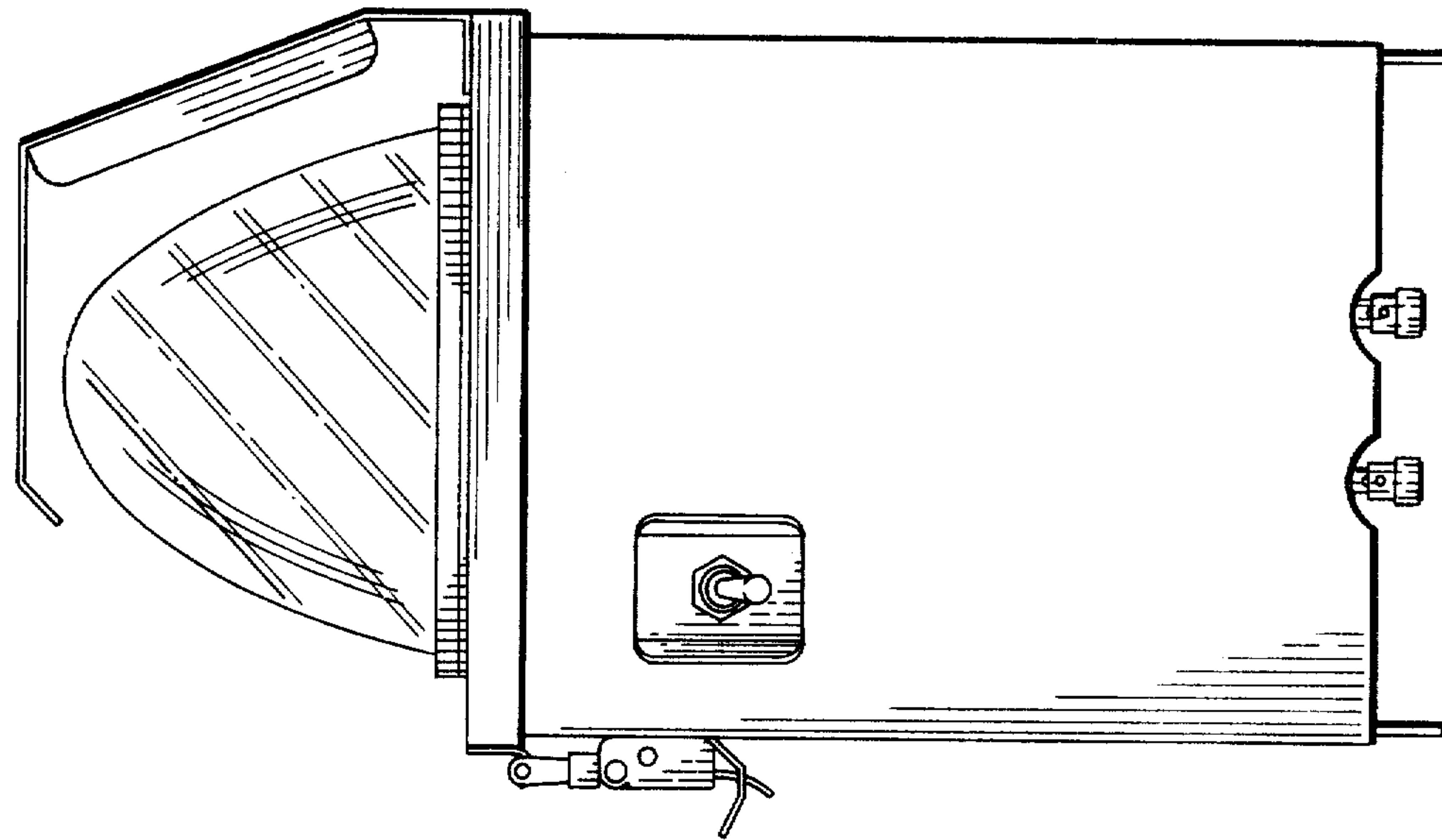


FIG. 2

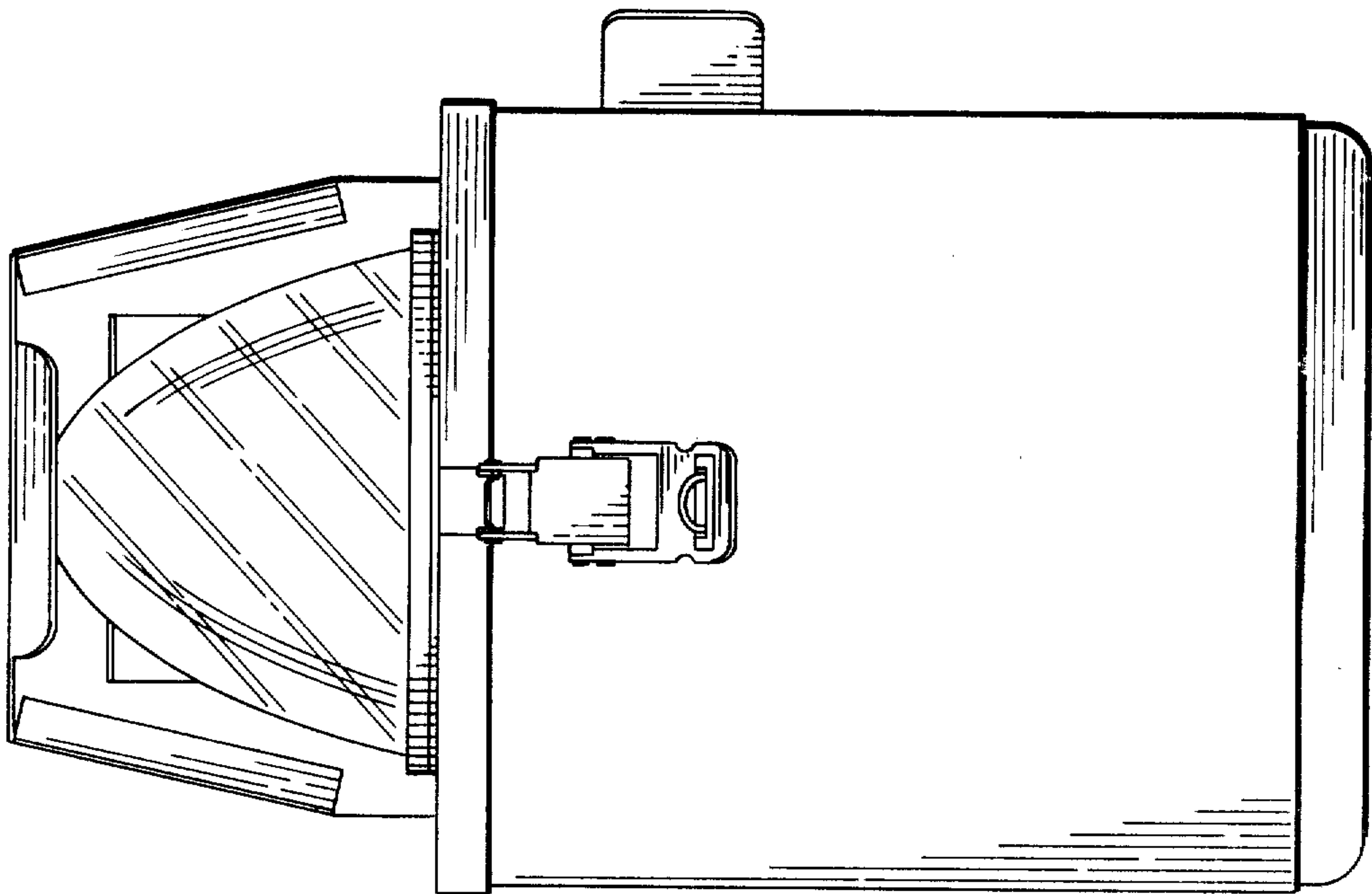


FIG. 1

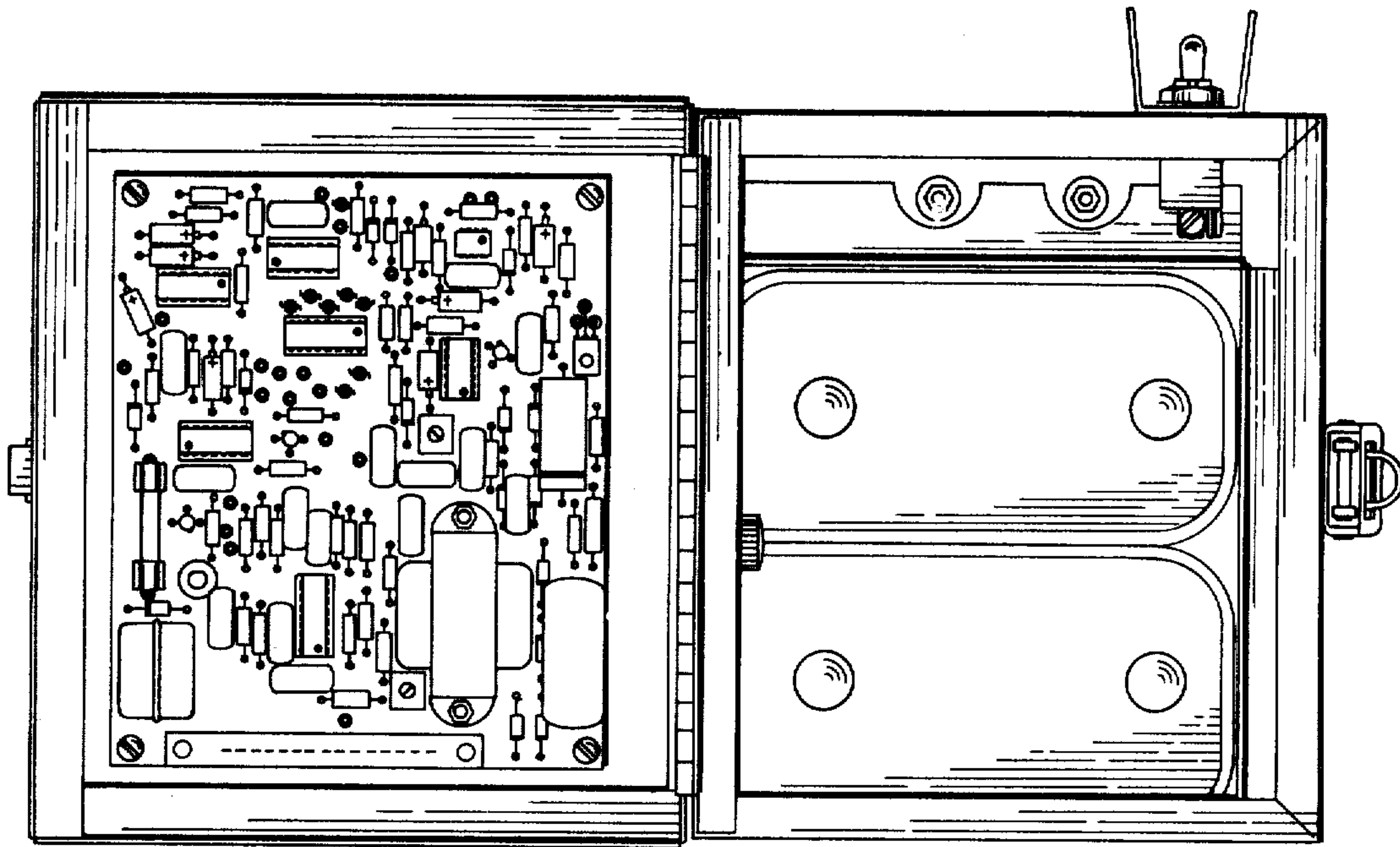


FIG. 4

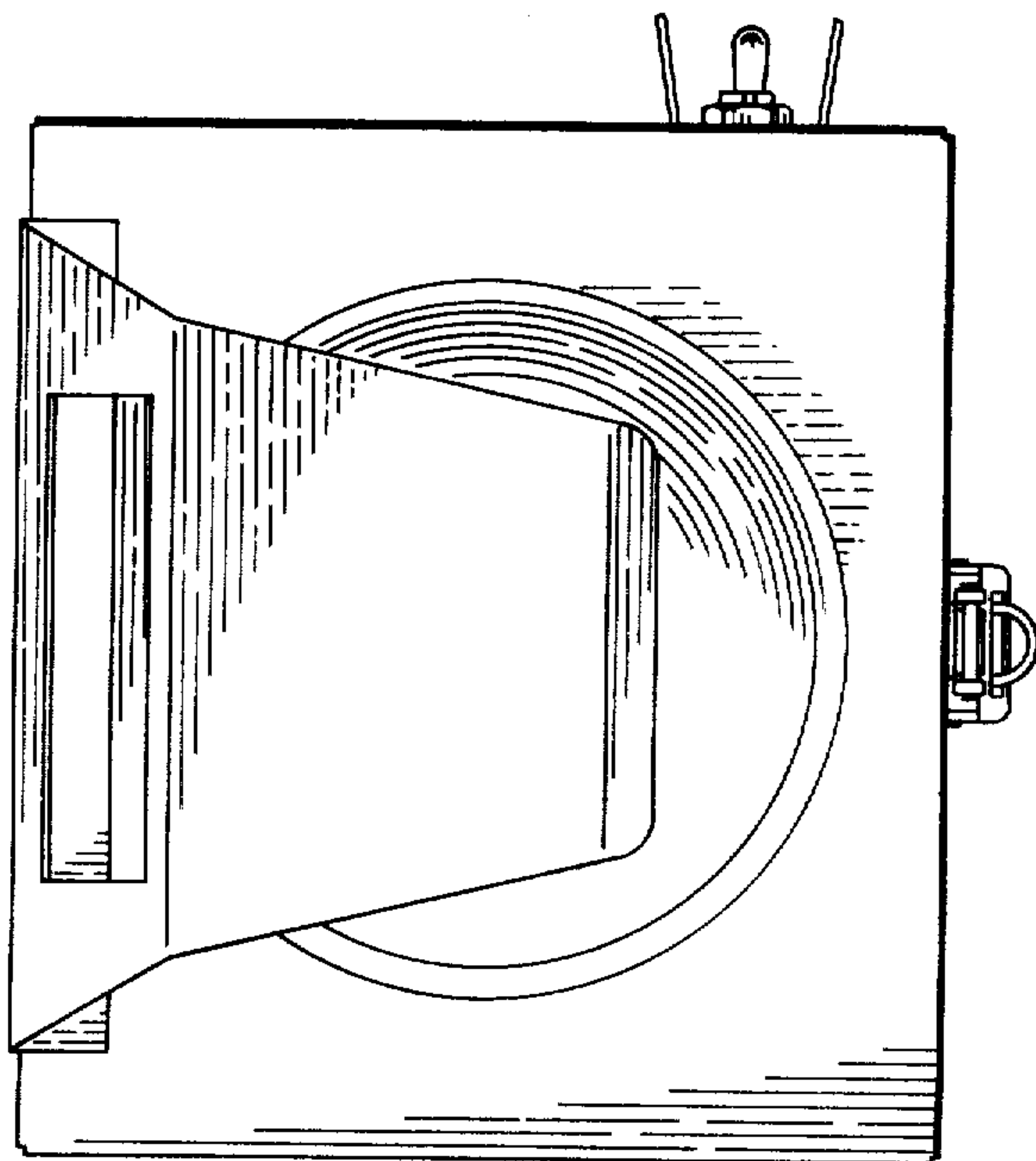


FIG. 3