

[54] HANDLE FOR SAILBOAT HIKING STICK

[76] Inventor: Harrison W. Hine, 585 S. Burlingame Ave., Los Angeles, Calif. 90049

[\*\*] Term: 14 Years

[21] Appl. No.: 71,858

[22] Filed: Sep. 4, 1979

[51] Int. Cl. .... D12-16

[52] U.S. Cl. .... D12/317; D8/310

[58] Field of Search ..... D21/236, 237, 238; D8/310; 403/75, 104, 351; 49/135; 114/113, 114, 144 R, 268, 270; D12/303, 317

[56] References Cited

U.S. PATENT DOCUMENTS

D. 204,599 5/1966 Adams ..... D8/310  
4,144,831 3/1979 Heydolph ..... 403/315

OTHER PUBLICATIONS

Design, 11-58, p. 42, Knob, second from left.  
General Lock Catalog, 1966, pp. 1-10, Knob #12.  
Forespar Cat. 1977, p. 12, Tiller Extension at top of page.

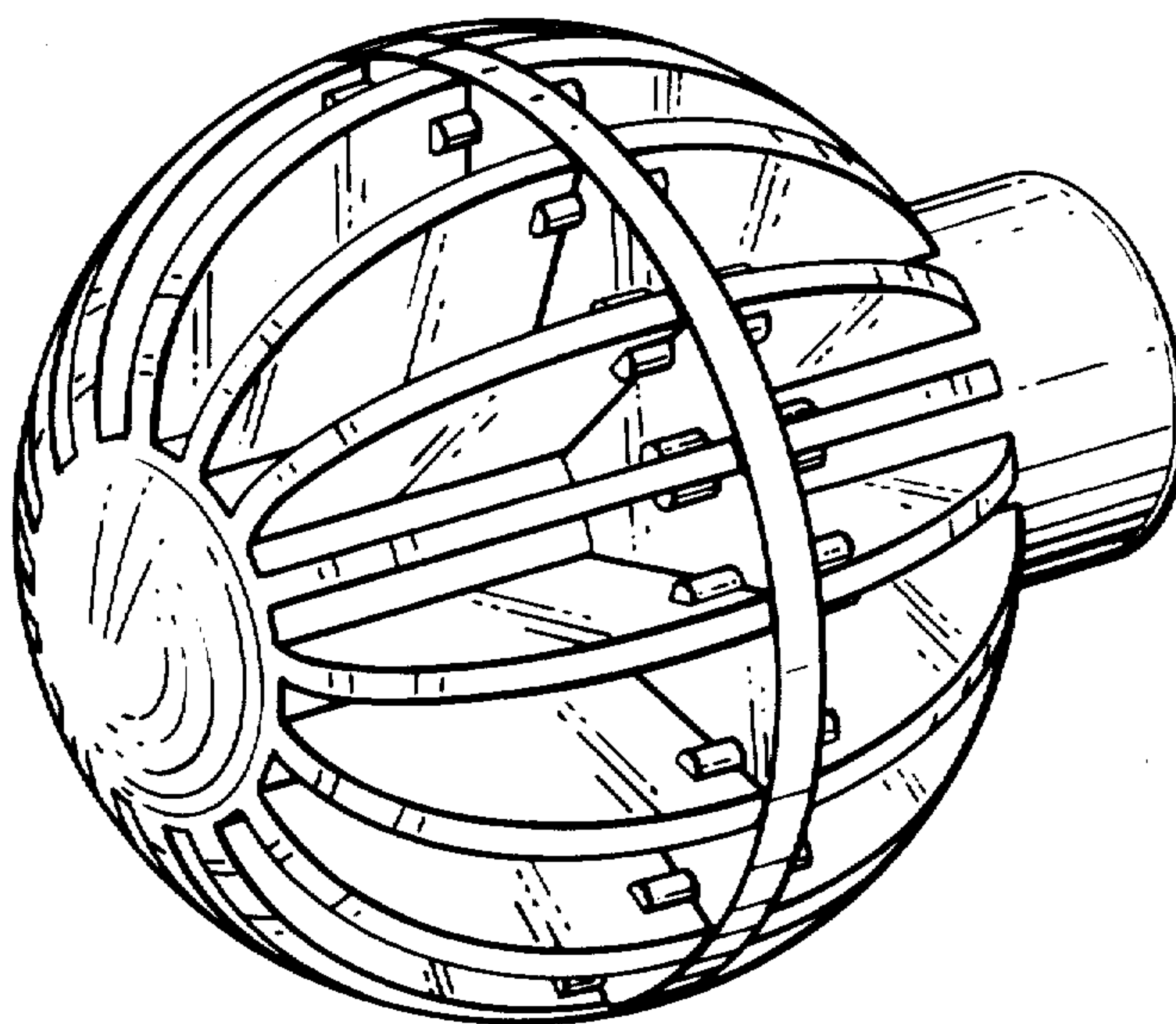
Primary Examiner—Charles A. Rademaker  
Attorney, Agent, or Firm—Pastoriza & Kelly

[57] CLAIM

The ornamental design for a handle for sailboat hiking stick, substantially as shown.

DESCRIPTION

FIG. 1 is a perspective view of a handle for a sailboat hiking stick showing my new design;  
FIG. 2 is a front end elevational view thereof;  
FIG. 3 is a side elevational view thereof;  
FIG. 4 is a rear end elevational view thereof; and  
FIG. 5 is a cross section looking in the direction of the arrows 5-5 of FIG. 4 thereof.



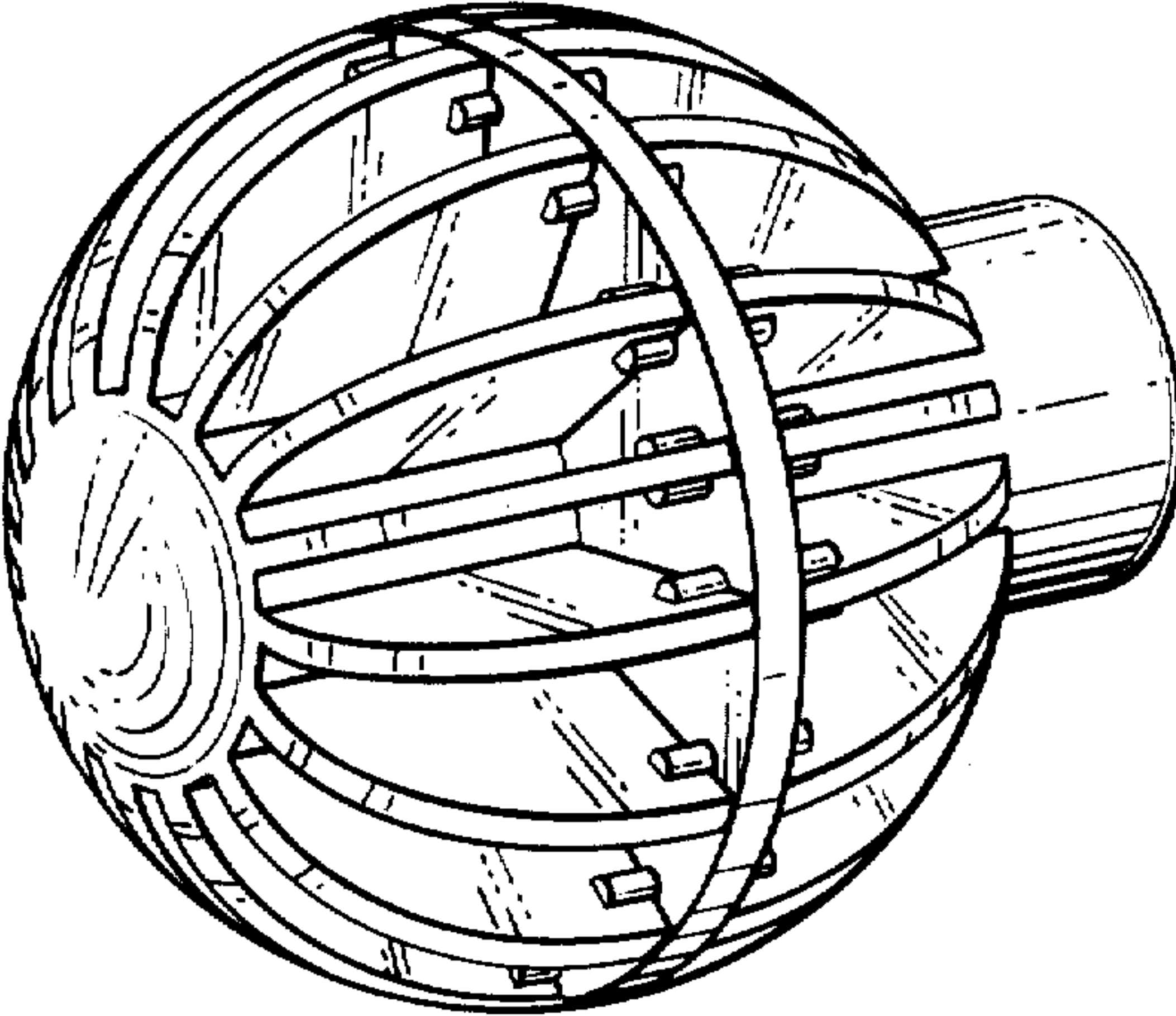


FIG. 1

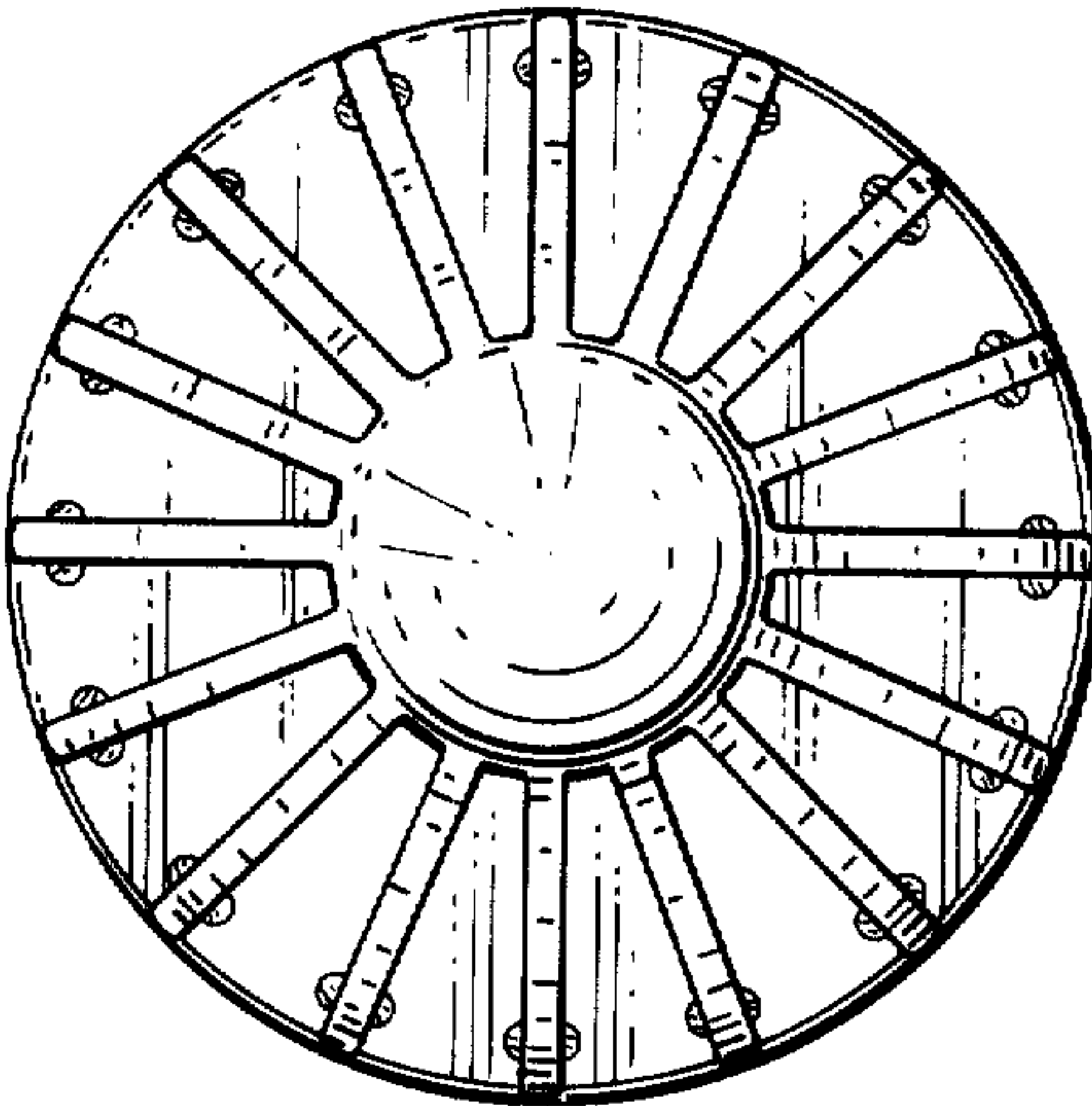


FIG. 2

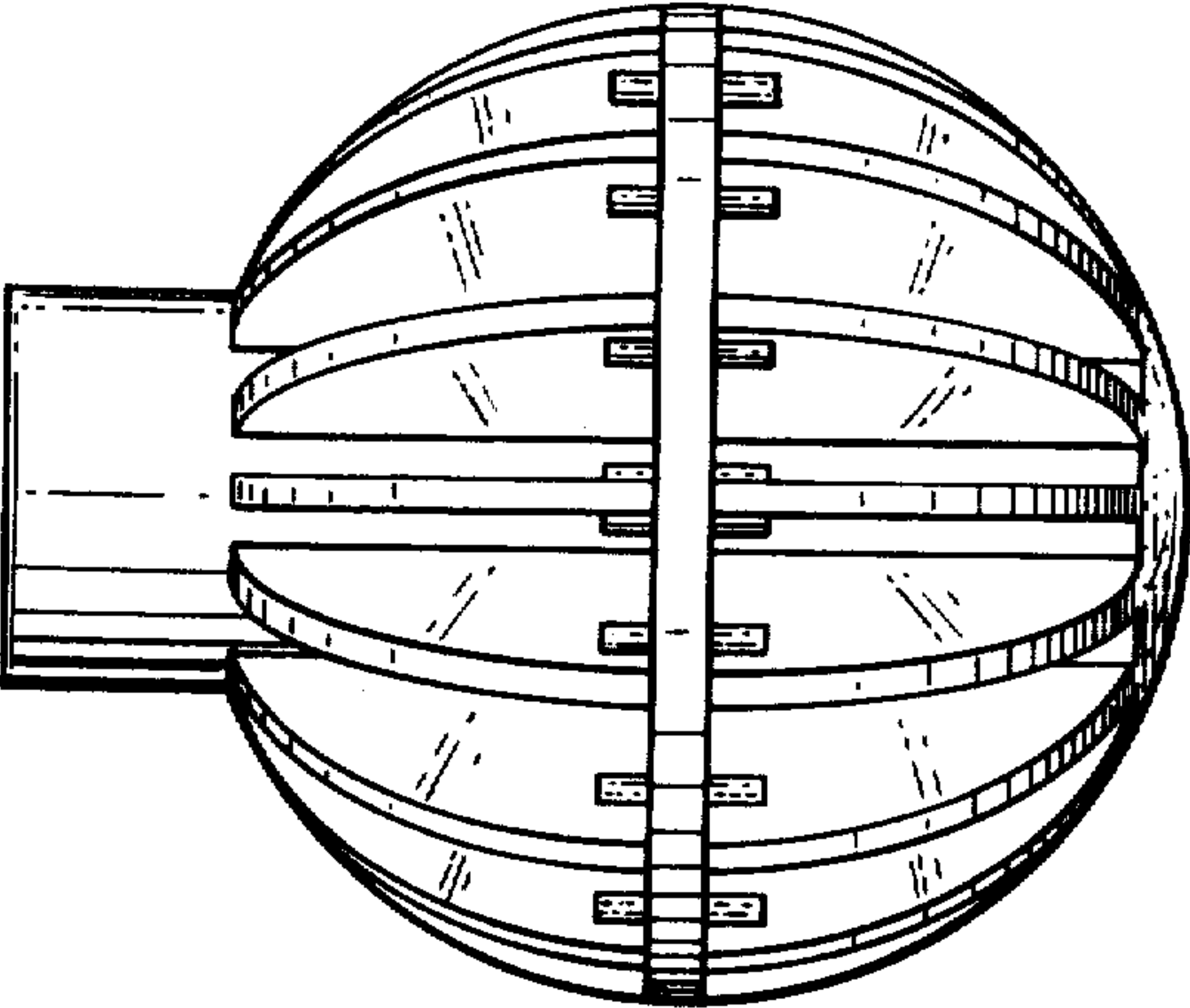


FIG. 3

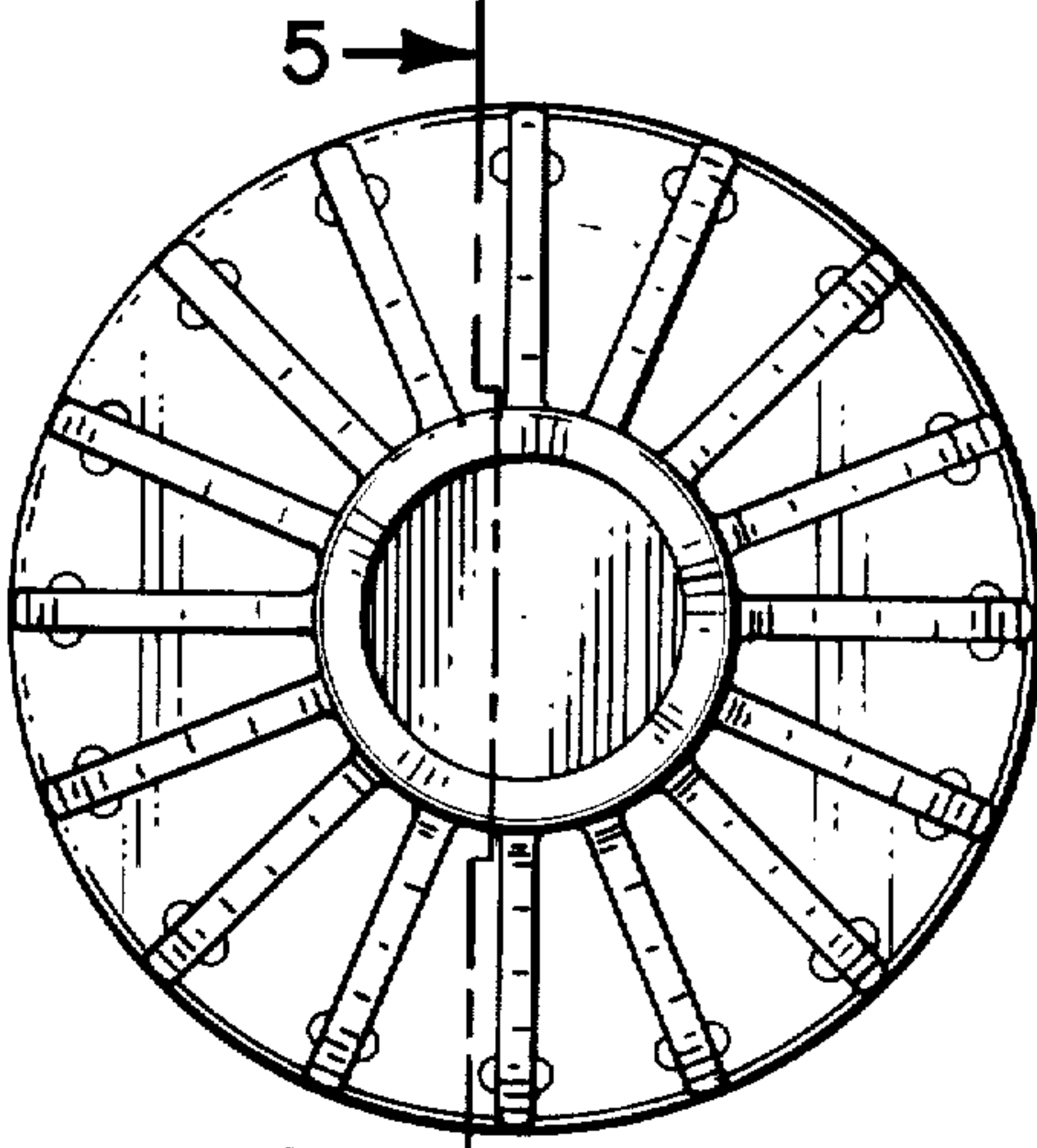


FIG. 4

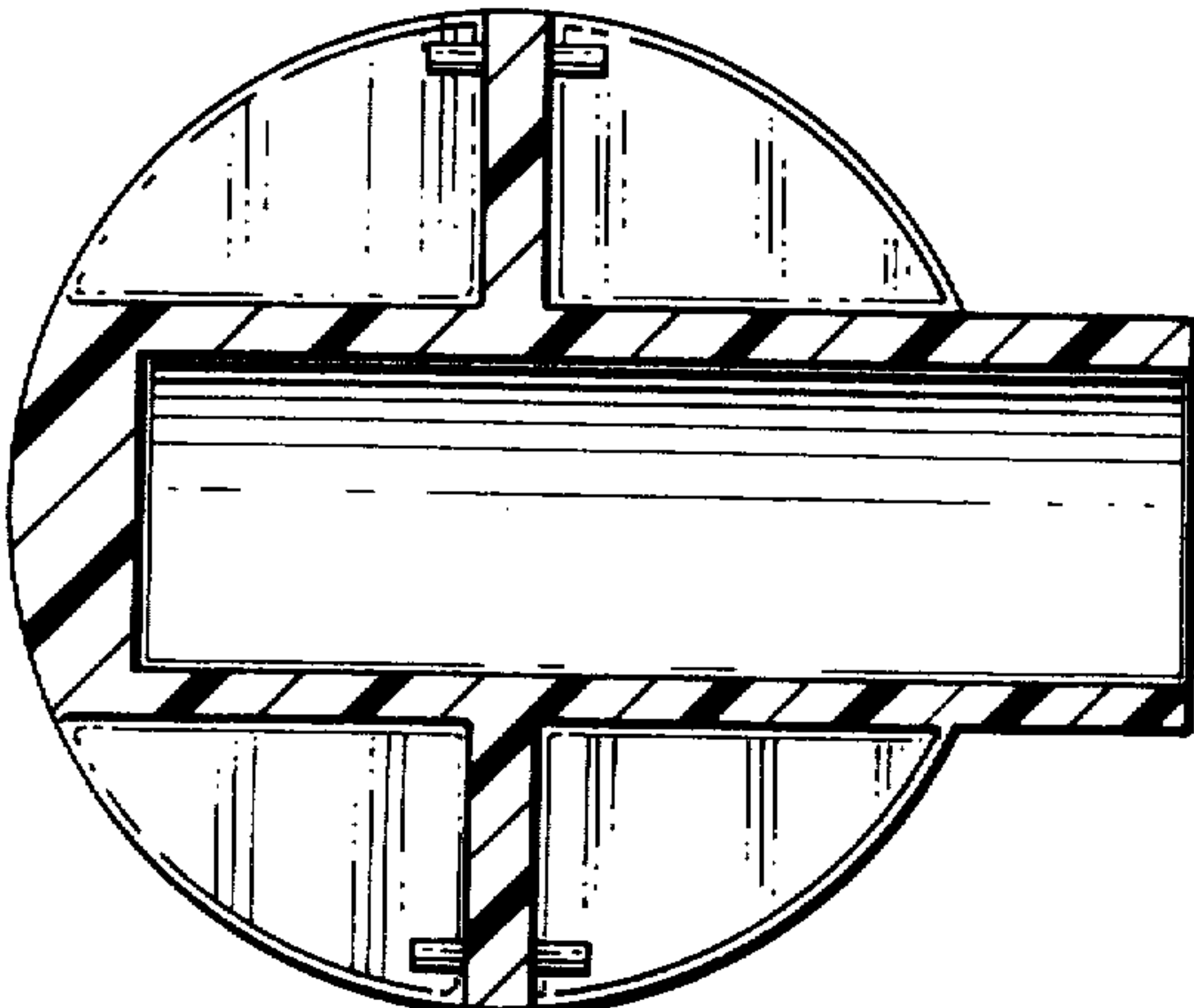


FIG. 5