

[54] BELT WINCH AND ATTACHMENT DEVICE

[76] Inventor: Allan R. Thomas, P.O. Box 191, Maitland, Australia, 5355

[**] Term: 14 Years

[21] Appl. No.: 11,228

[22] Filed: Feb. 12, 1979

[30] Foreign Application Priority Data

Aug. 15, 1978 [AU] Australia 75584

[51] Int. Cl. D12-05

[52] U.S. Cl. D34/33

[58] Field of Search D12/54, 60; 254/213, 254/217, 222, 223; 248/300

[56] References Cited

U.S. PATENT DOCUMENTS

D. 199,989	1/1965	Hoff	D12/54
502,177	7/1893	Doherty	254/223
708,196	9/1902	Bradbury	254/223
1,722,755	7/1929	Koopmans	248/300
2,807,431	9/1957	McHale	248/300
3,642,305	2/1972	Pawsat	248/300
4,045,002	8/1977	Miller	D12/54

Primary Examiner—T. Tung

Attorney, Agent, or Firm—Oldham, Oldham, Hudak & Weber Co.

[57] CLAIM

The design for a belt winch and attachment device, as shown.

DESCRIPTION

FIG. 1 is a front right perspective view of the belt winch and attachment device of the new design; FIG. 2 is a left rear perspective view thereof; and, FIG. 3 is a back right side perspective view thereof.

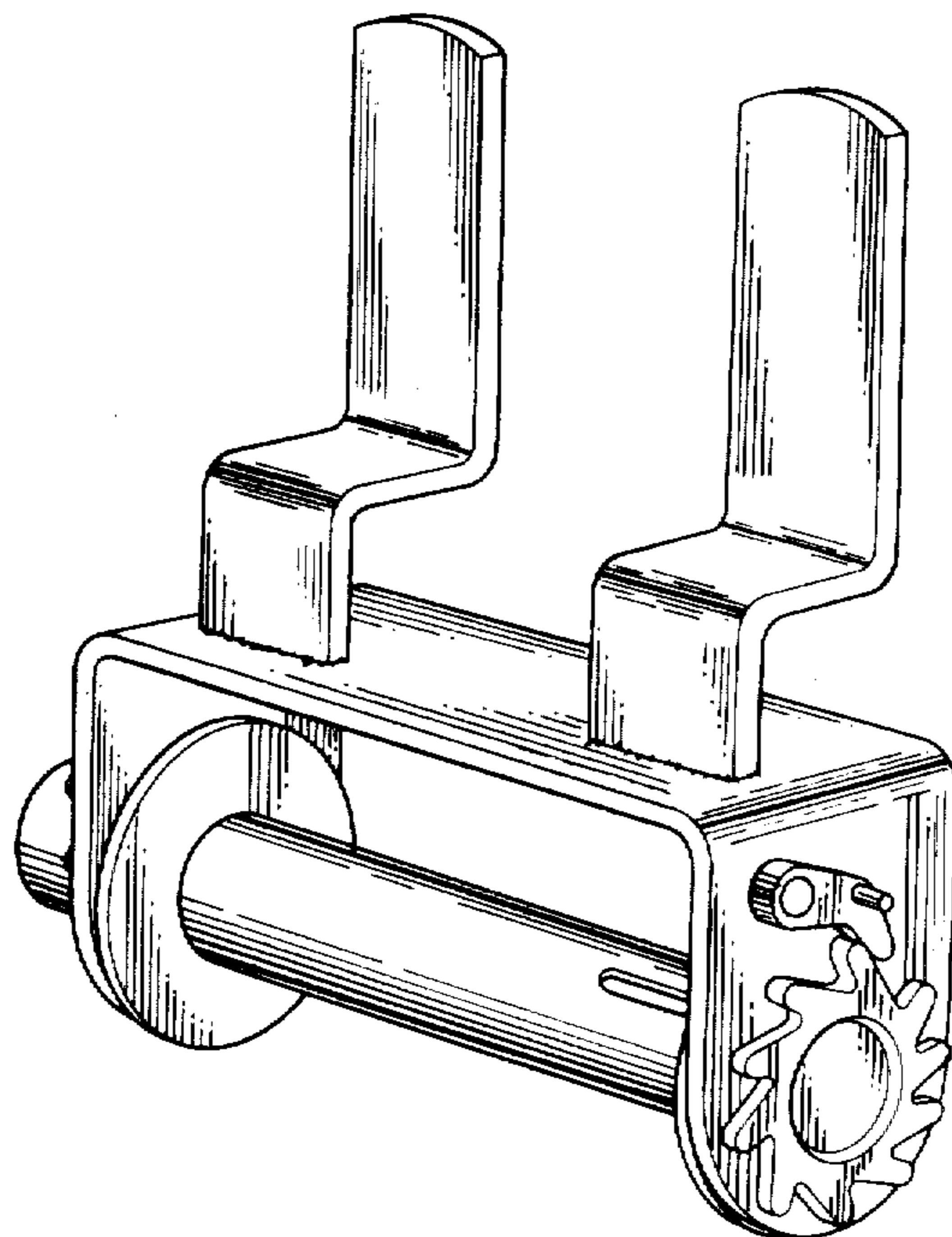


FIG. 1

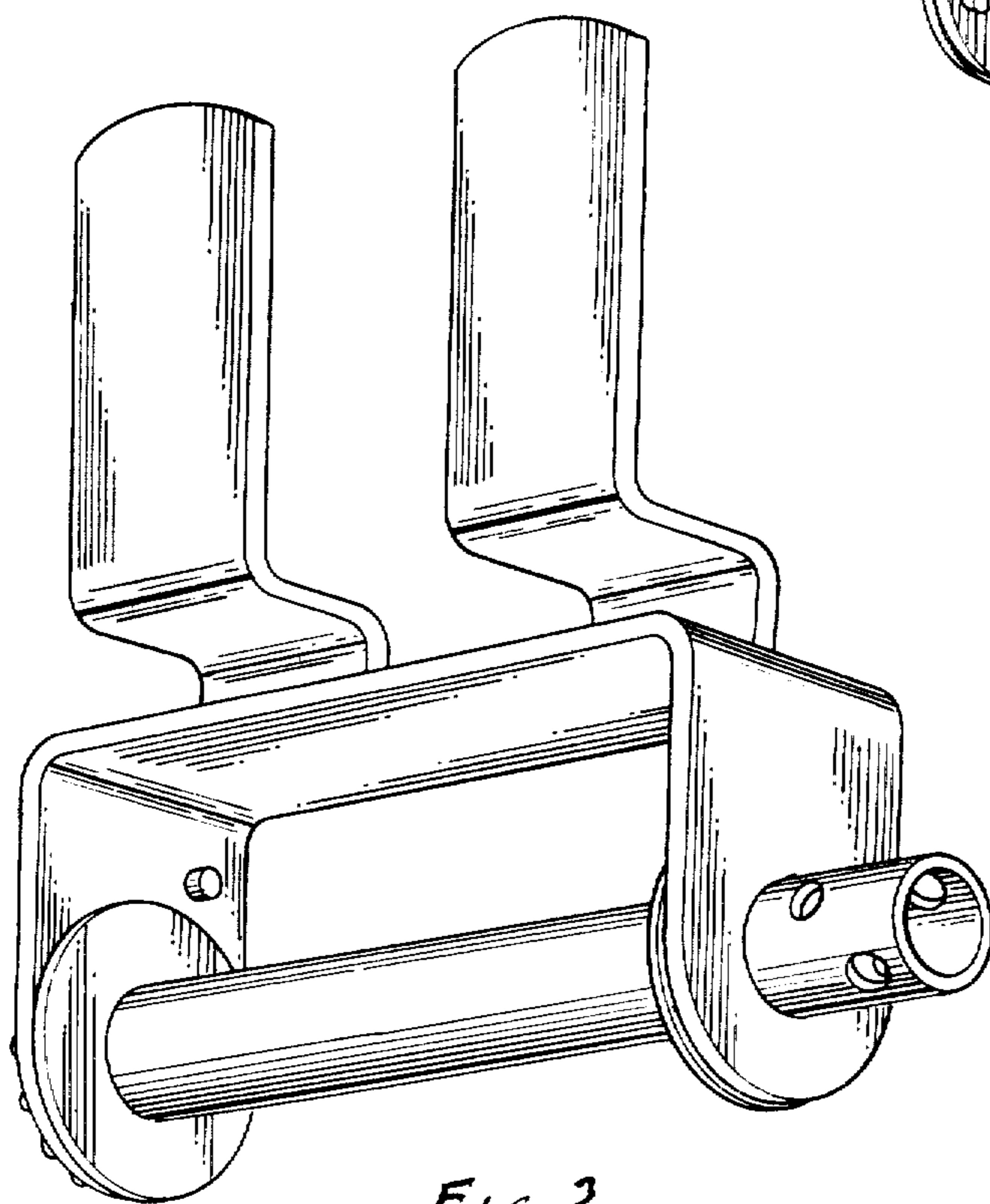
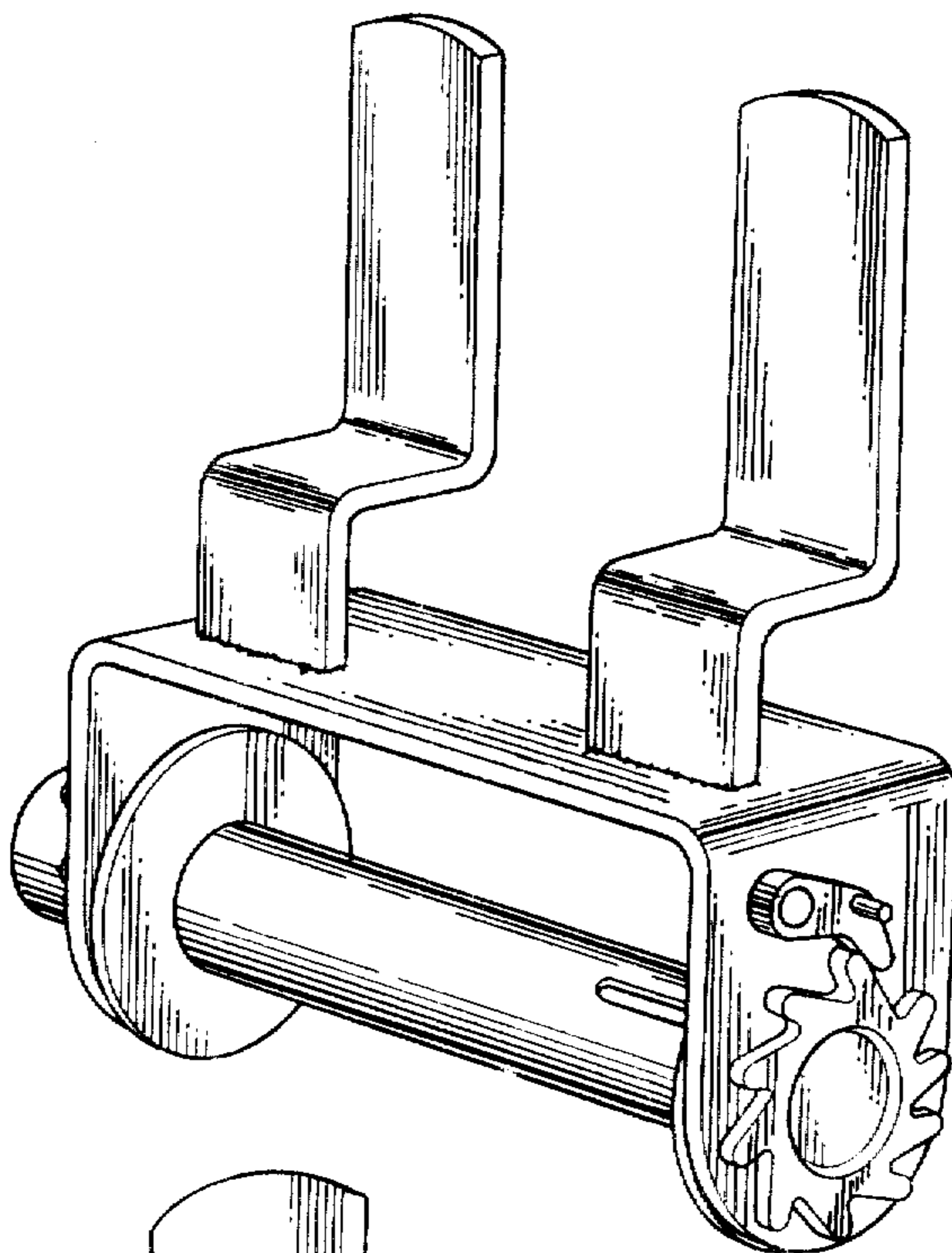


FIG. 2

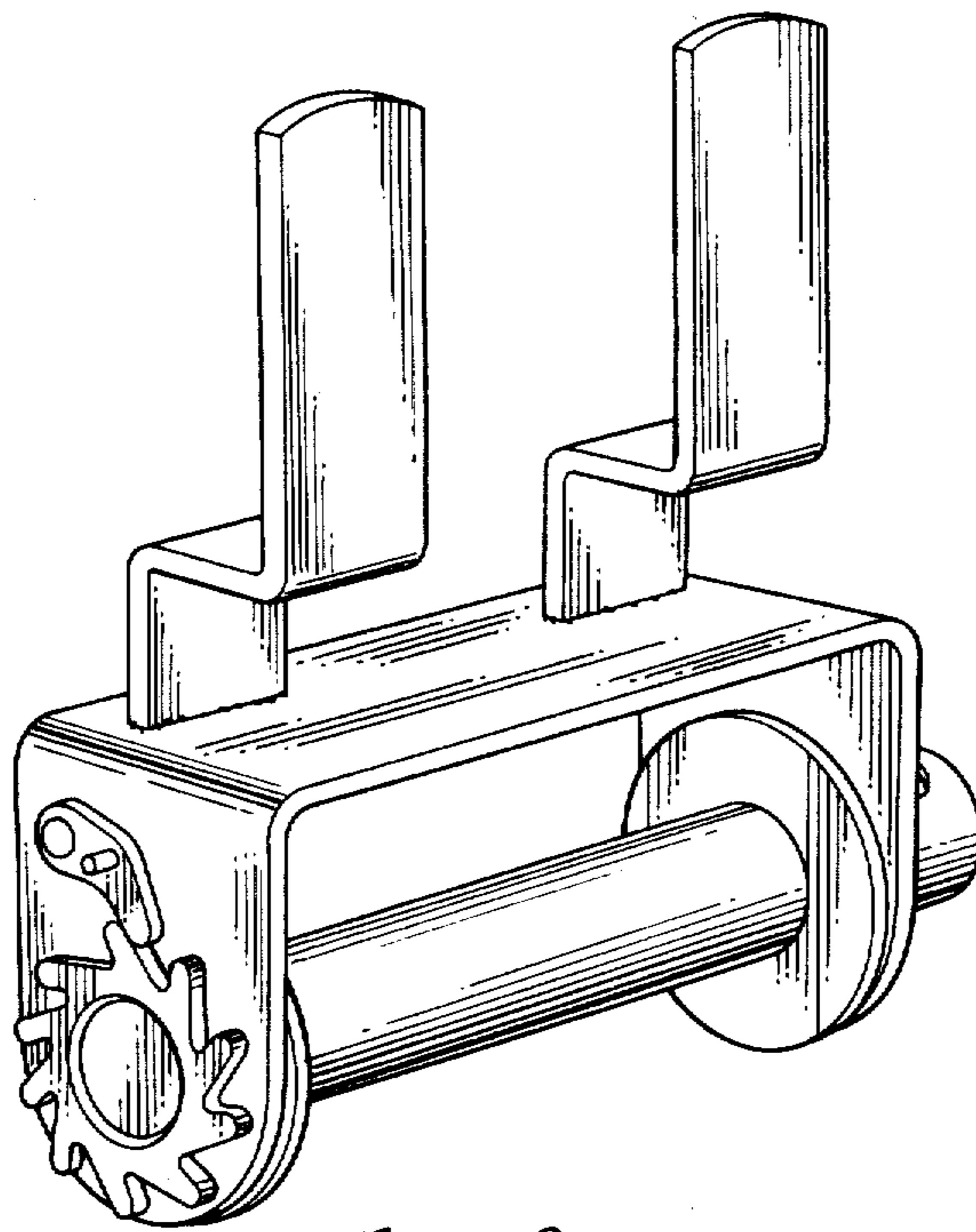


FIG. 3