

[54] HOUSING FOR FIRE AND SMOKE DETECTOR

[75] Inventor: Donald J. Westphal, South Elgin, Ill.

[73] Assignee: Pittway Corporation, Northbrook, Ill.

[\*\*] Term: 7 Years

[21] Appl. No.: 956,226

[22] Filed: Oct. 30, 1978

[51] Int. Cl. .... D10-05

[52] U.S. Cl. .... D10/106

[58] Field of Search ..... D10/104, 106, 121; 340/541-547, 551, 552, 555, 556, 565, 566, 577, 578, 579, 584, 586, 627, 629, 630

[56] References Cited

U.S. PATENT DOCUMENTS

D. 242,133 11/1976 Fitzsimmonds ..... D10/106

OTHER PUBLICATIONS

Sears Fall & Winter Catalog, 1976, p. 836, Fire Alarm "Early One" with test button.

Primary Examiner—Susan J. Lucas

Attorney, Agent, or Firm—Gary, Juettner & Pyle

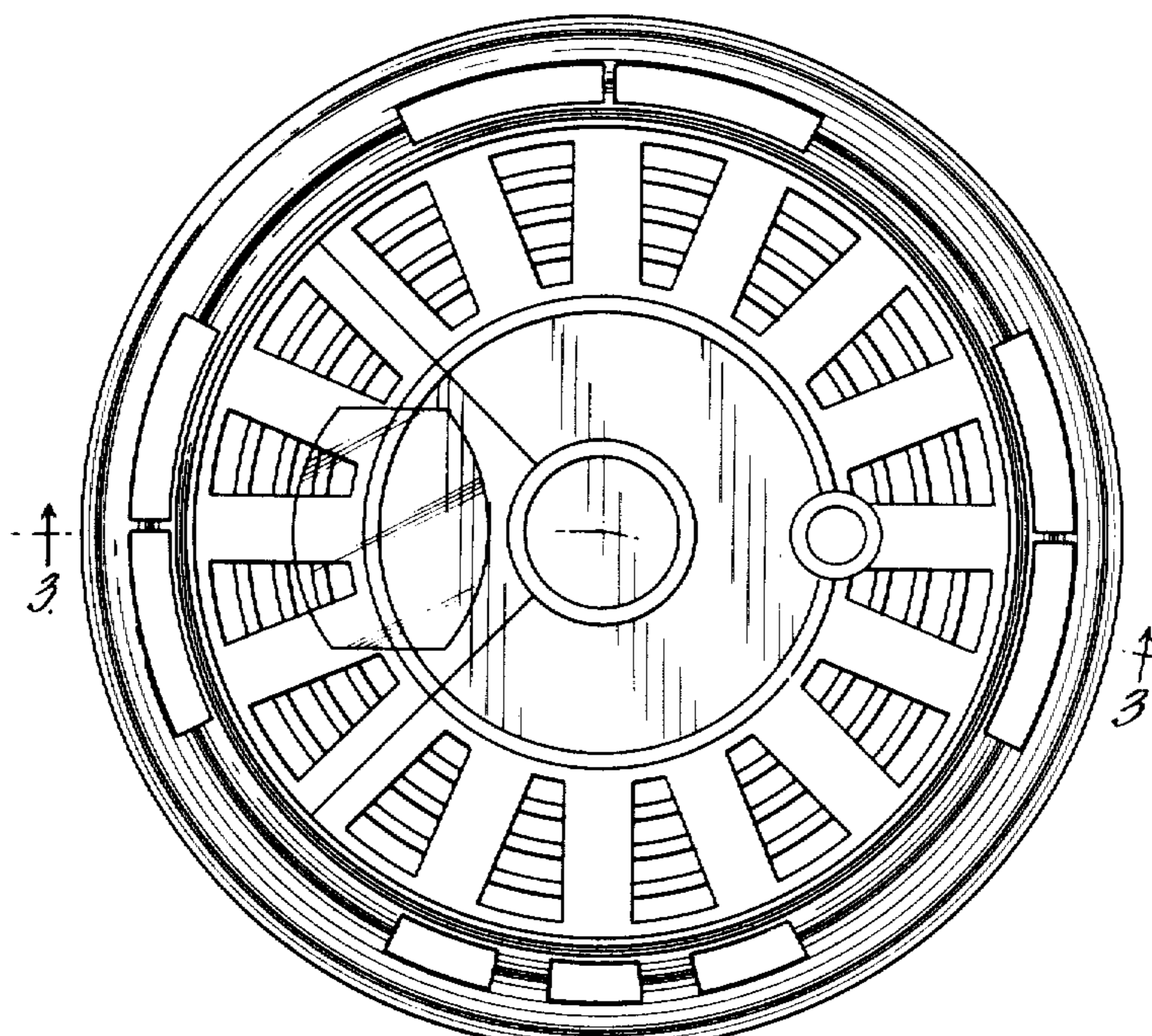
[57] CLAIM

The ornamental design for a housing for a fire and smoke detector, substantially as shown and described.

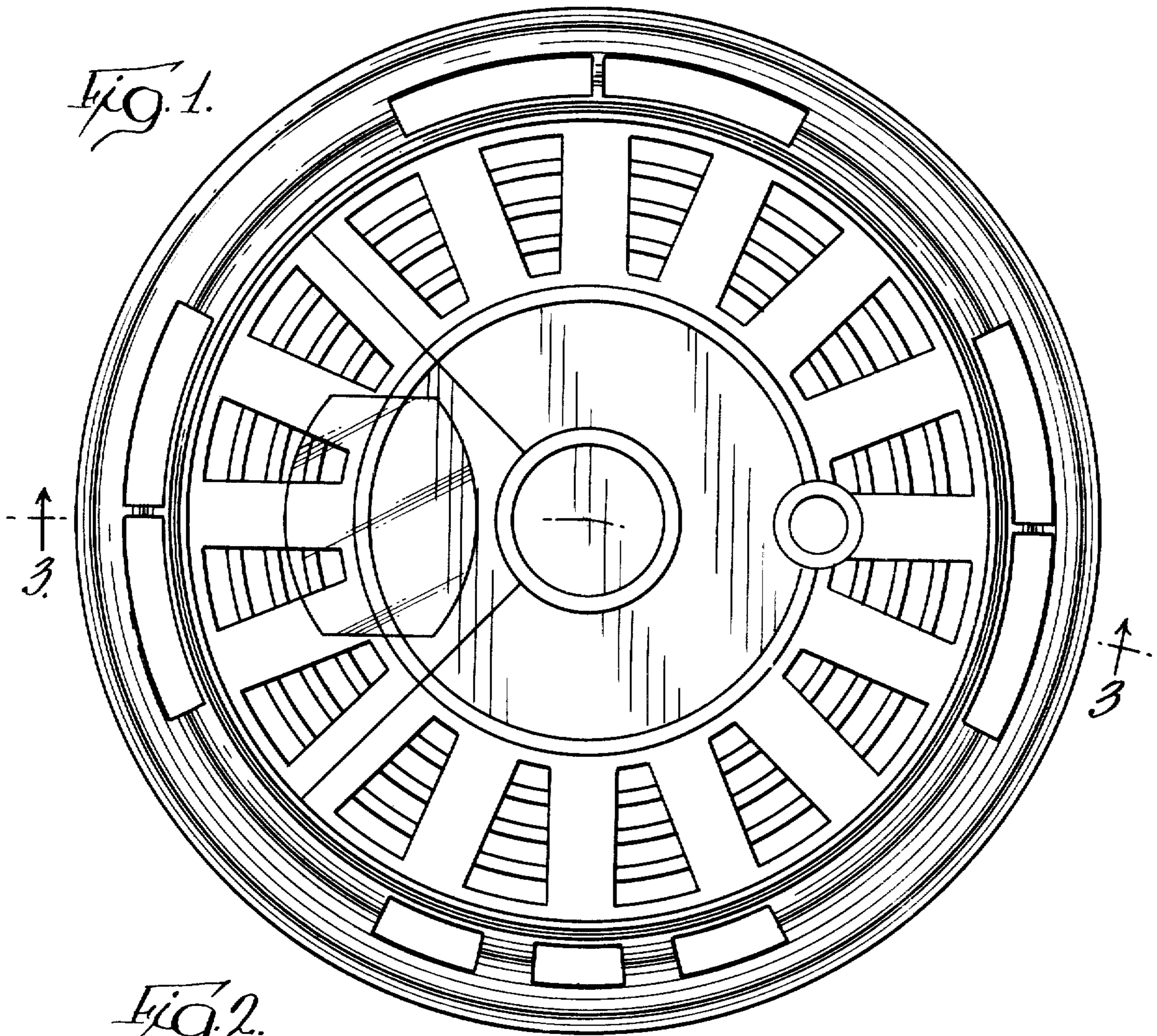
DESCRIPTION

FIG. 1 is a plan view of a housing for a fire and smoke detector showing my new design; FIG. 2 is a side view thereof; and FIG. 3 is a cross sectional view taken substantially along the lines 3-3 of FIG. 1.

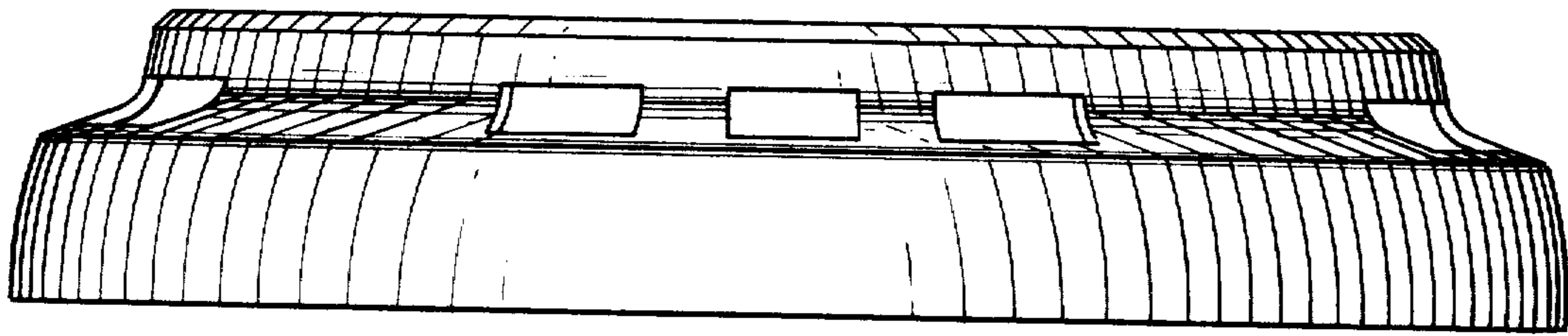
The quasi-oval configuration on the left half of the face of the housing in FIG. 1 is shaded to indicate transparency.



*Fig. 1.*



*Fig. 2.*



*Fig. 3.*

