

- [54] **LEVELLING DEVICE**
- [75] Inventor: **William F. Barton**, Arlington Heights, Ill.
- [73] Assignee: **Martronics Corp.**, Morton Grove, Ill.
- [**] Term: **14 Years**
- [21] Appl. No.: **65,754**
- [22] Filed: **Aug. 13, 1979**
- [51] Int. Cl. **D10-04**
- [52] U.S. Cl. **D10/69**
- [58] Field of Search **D10/69; 33/366**

3,584,387	6/1971	Sturm	33/366
3,861,052	1/1975	Siegfried	33/366
4,182,046	1/1980	Ludlow	33/366
4,253,242	3/1981	McInerney	33/366

Primary Examiner—Nelson C. Holtje
Attorney, Agent, or Firm—Robert E. Browne

[57] **CLAIM**

The ornamental design for a levelling device, as shown and described.

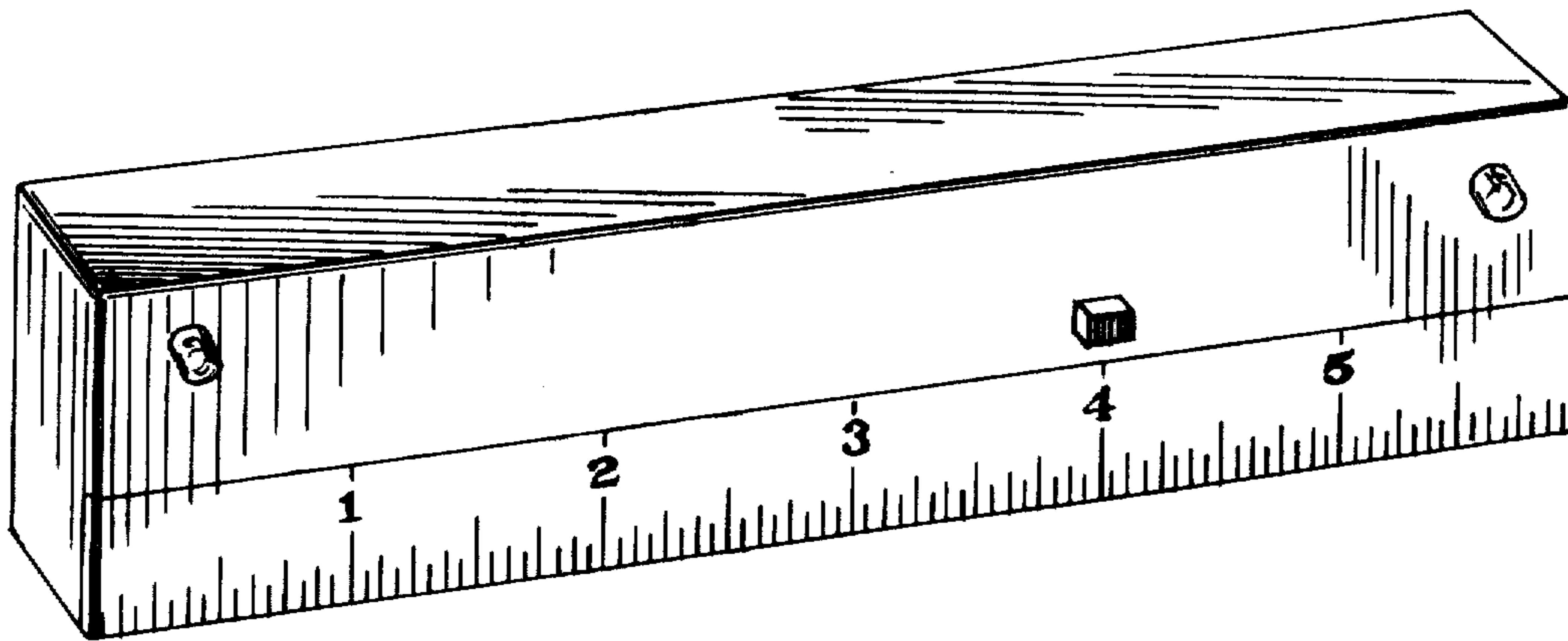
DESCRIPTION

FIG. 1 is a perspective view of a levelling device showing my new design;
 FIG. 2 is a top plan view thereof;
 FIG. 3 is a front elevational view thereof;
 FIG. 4 is a rear elevational view thereof;
 FIG. 5 is a bottom plan view thereof;
 FIG. 6 is a right side elevational view thereof; and,
 FIG. 7 is a left side elevational view thereof.

References Cited

U.S. PATENT DOCUMENTS

2,584,917	2/1952	Powell	D10/69 X
2,789,362	4/1957	Maroth	33/366
3,233,235	2/1966	Wright	33/366



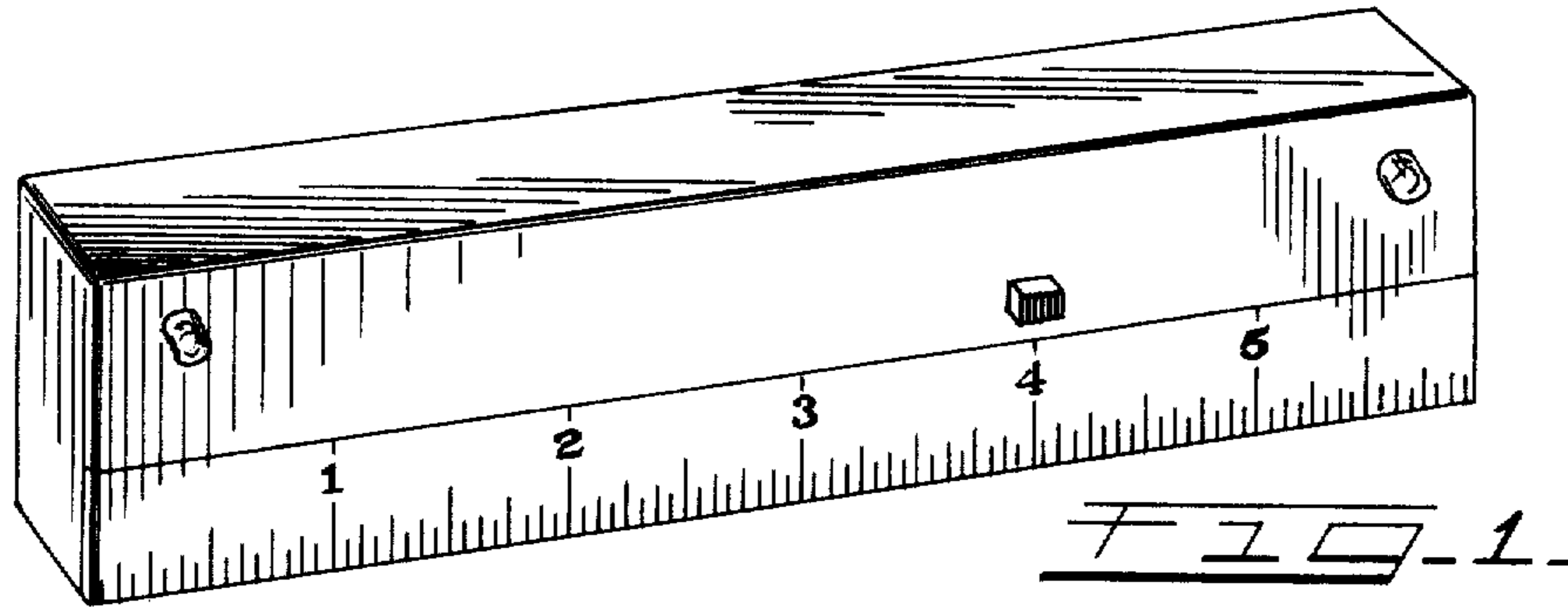


FIG. 1.

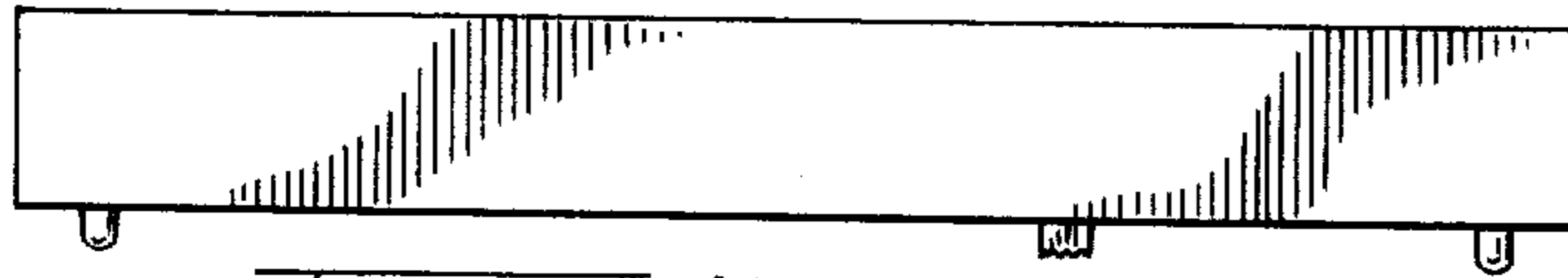


FIG. 2.

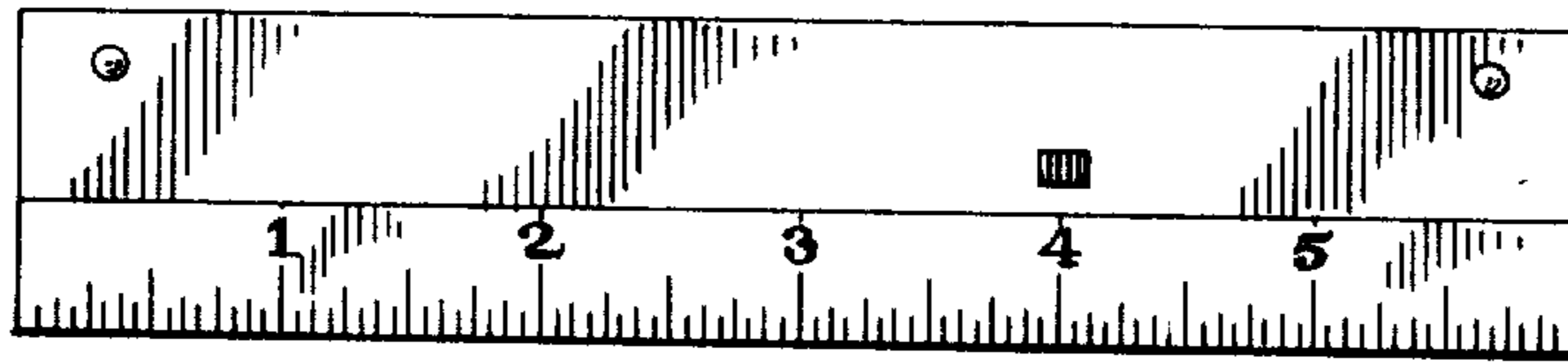


FIG. 3.

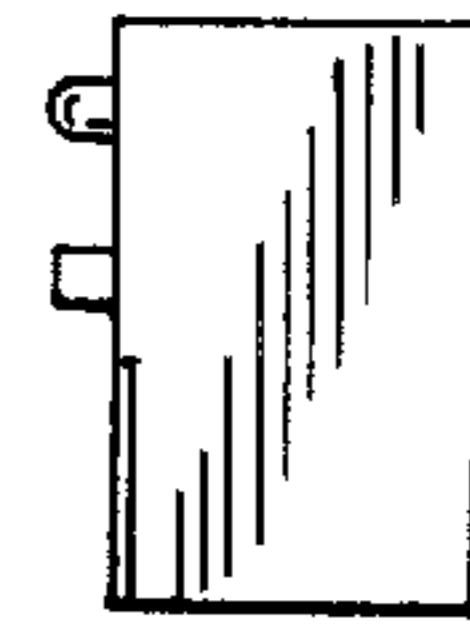


FIG. 6.

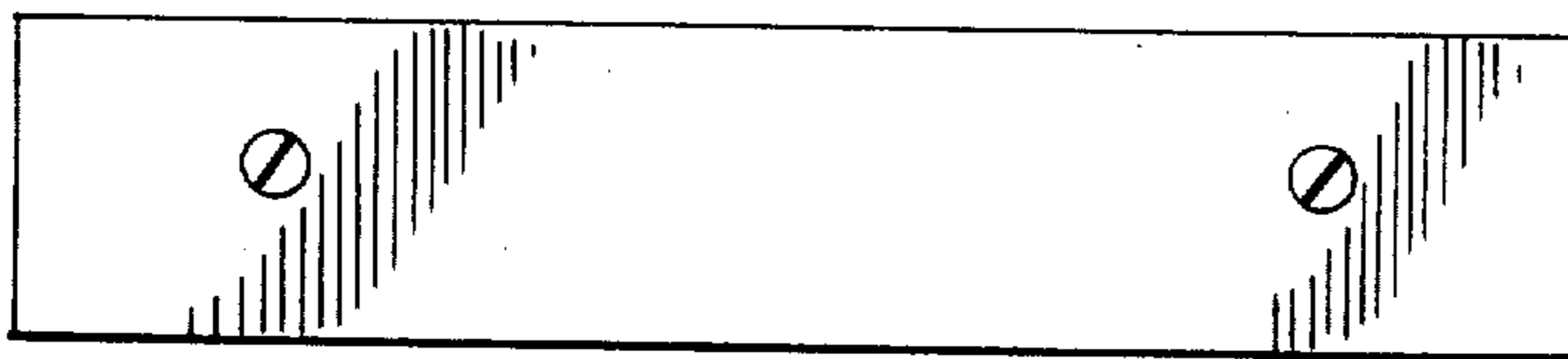


FIG. 4.

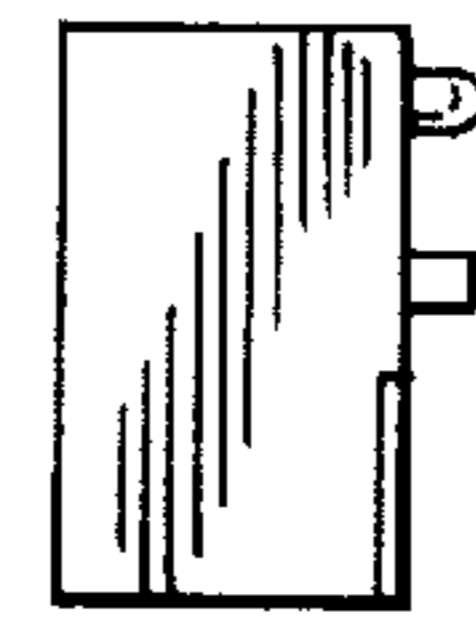


FIG. 7.

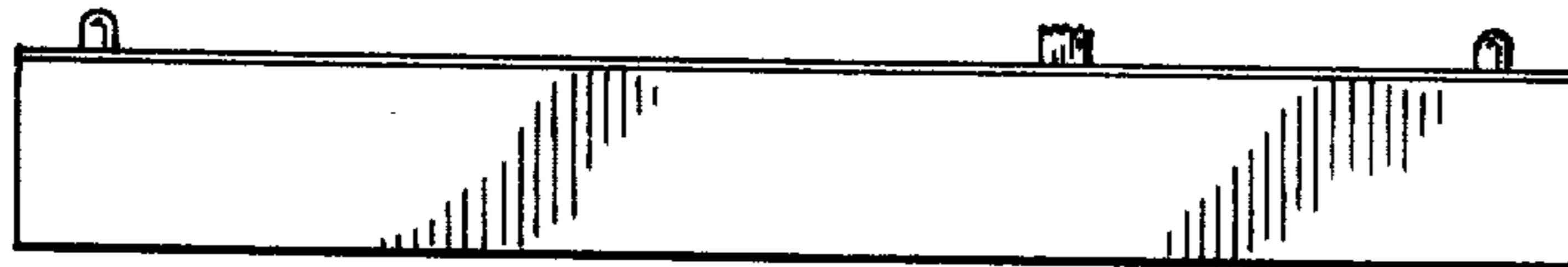


FIG. 5.