

- [54] PAINT CAN SUPPORT FOR A LADDER  
[76] Inventor: **Marcul L. Gunnells**, Rt. 1, Box 137,  
Danville, Va. 24541  
[\*\*] Term: **14 Years**  
[21] Appl. No.: 916,714  
[22] Filed: **Jun. 19, 1978**  
[51] Int. Cl. .... **D8—08**  
[52] U.S. Cl. .... **D8/367; D8/370;**  
248/211  
[58] Field of Search ..... **D8/367, 370; 248/210,**  
248/211, 302, 303, 113, 112, 249, 69, 315, 217.1

- [56] **References Cited**  
**U.S. PATENT DOCUMENTS**  
982,604 1/1911 Herring ..... 248/211

2,747,825	5/1956	Lachenmayer	248/210
2,884,216	4/1959	Joecks	248/211
3,220,682	11/1965	Hannon	248/211

**FOREIGN PATENT DOCUMENTS**

281091	6/1952	Switzerland	248/211
--------	--------	-------------	---------

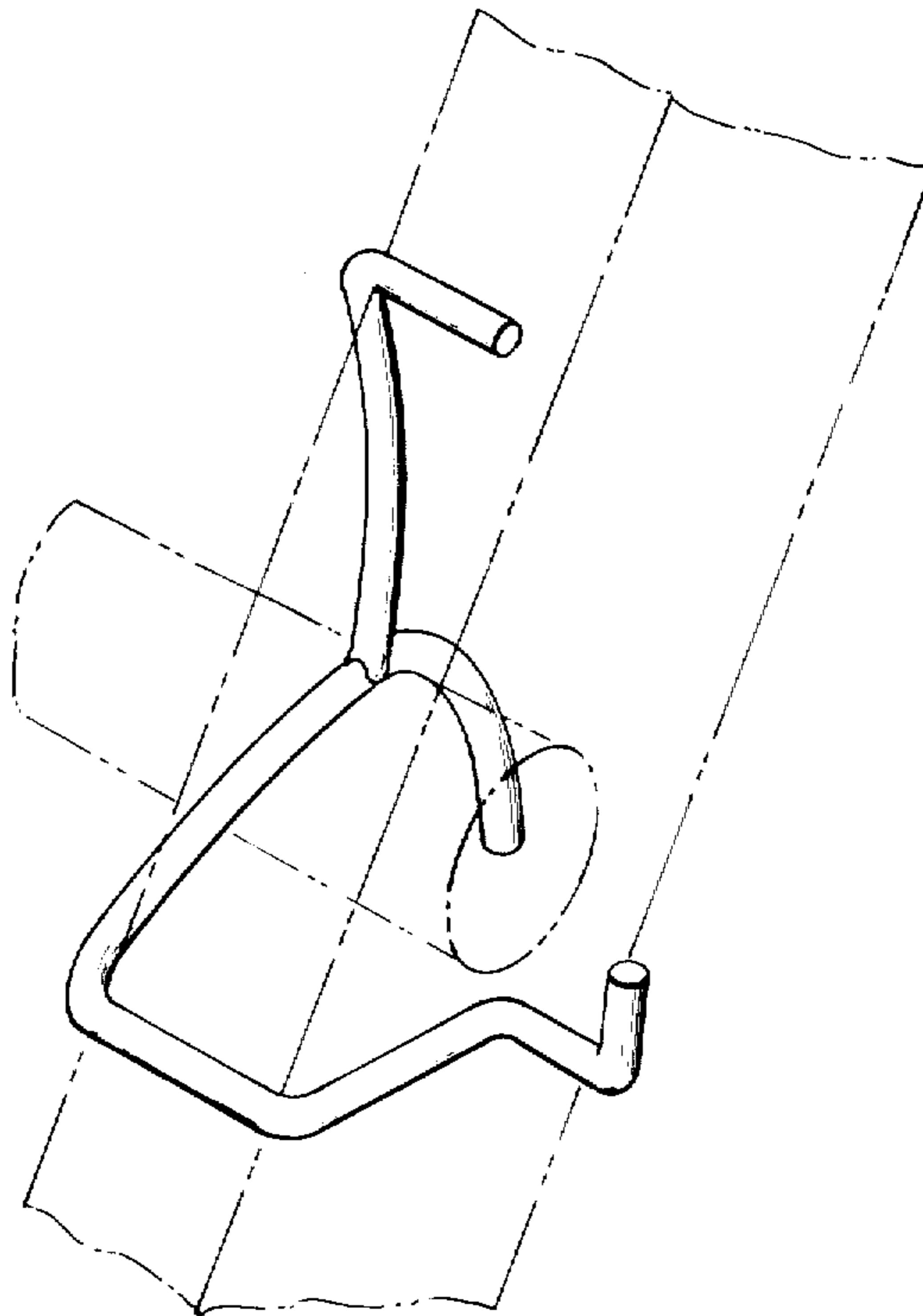
*Primary Examiner*—Peter Feldman

[57] **CLAIM**

The ornamental design for a paint can support for a ladder, as shown and described.

**DESCRIPTION**

FIG. 1 is a front and right side perspective view of a paint can support for a ladder showing my new design, the broken lines are shown for illustrative puposes only;  
FIG. 2 is a right side elevational view thereof;  
FIG. 3 is a rear elevational view thereof; and  
FIG. 4 is a top plan view thereof.



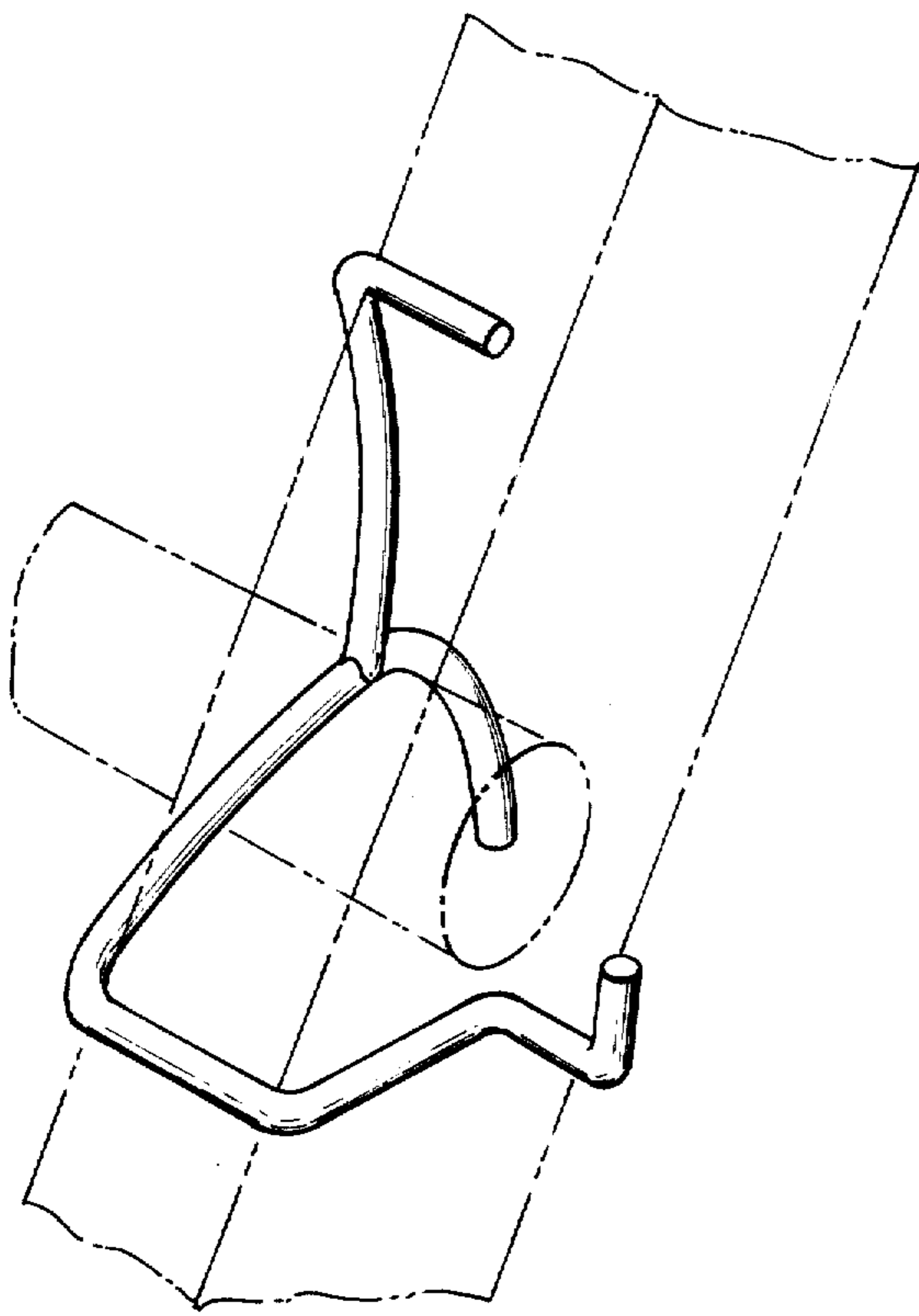


FIG. 1

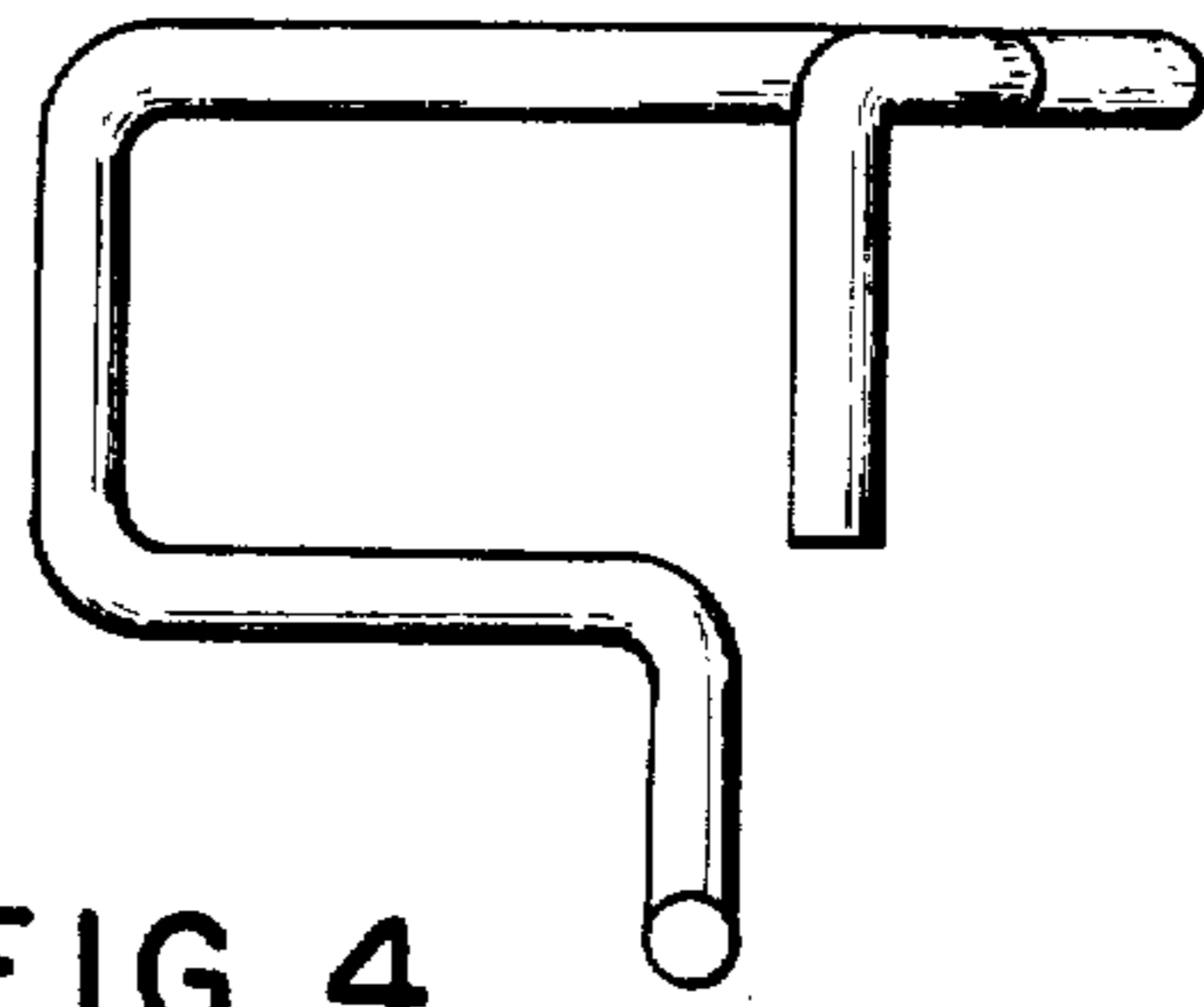


FIG. 4

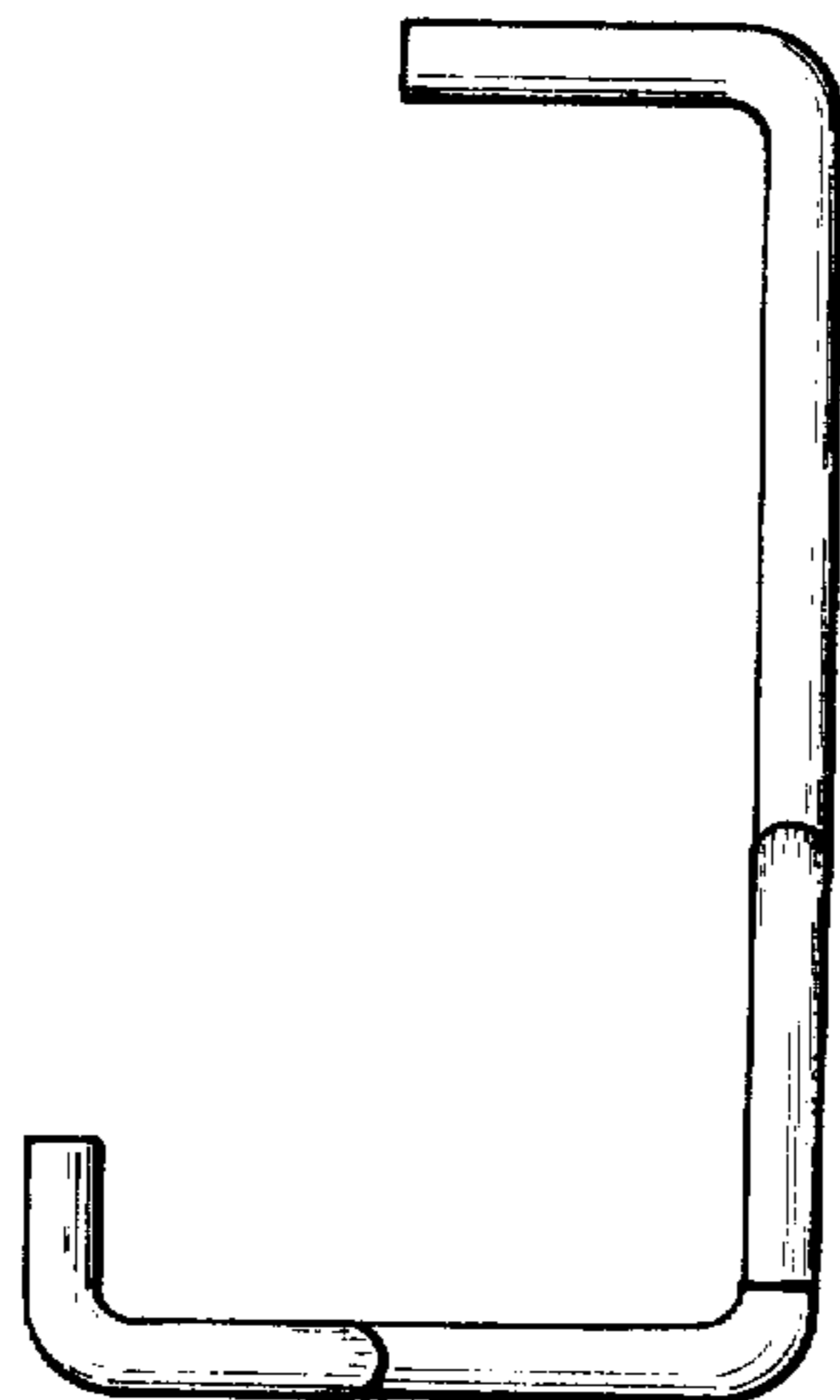


FIG. 3

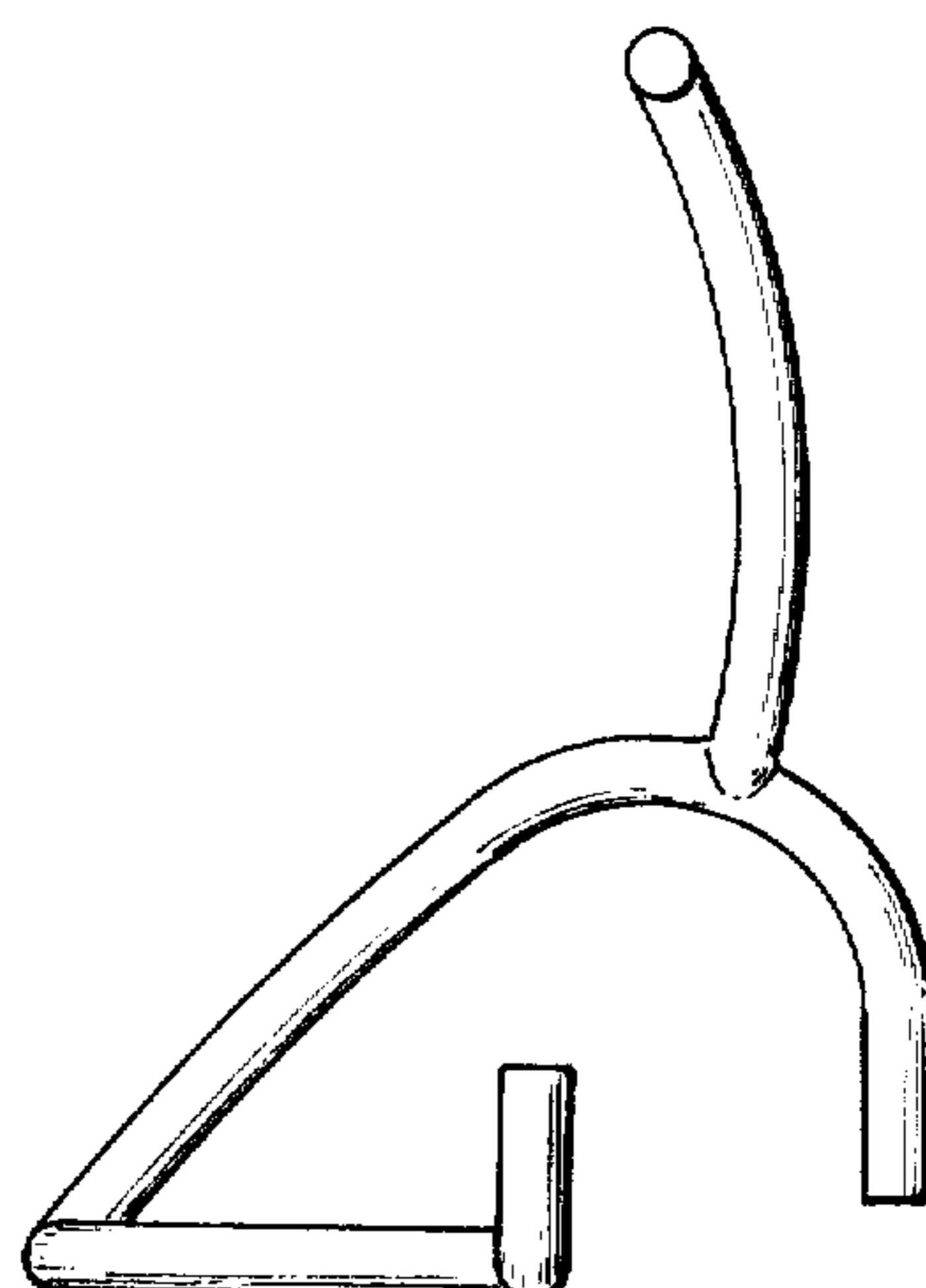


FIG. 2