

[54] DRIVER FOR FASTENERS

[75] Inventors: Robert W. Fee; Richard E. Ten Eyck, both of Wichita; Lloyd T. Smith, Newton, all of Kans.

[73] Assignee: S/V Tool Company, Inc., Newton, Kans.

[\*\*] Term: 14 Years

[21] Appl. No.: 86,089

[22] Filed: Oct. 18, 1979

[51] Int. Cl. .... D8-04

[52] U.S. Cl. .... D8/82

[58] Field of Search ..... D8/82, 83, 85, 86; 145/61 C

[56] References Cited

U.S. PATENT DOCUMENTS

- D. 142,267 8/1945 Walraven ..... D8/82
- D. 253,030 10/1979 Breger ..... D8/83

OTHER PUBLICATIONS

Stanley® Screwdriver brochure, Triangular Grip Screwdriver on page.

Primary Examiner—Alan P. Douglas

Attorney, Agent, or Firm—Schmidt, Johnson, Hovey & Williams

[57] CLAIM

The original design for a driver for fasteners and the like, as shown.

DESCRIPTION

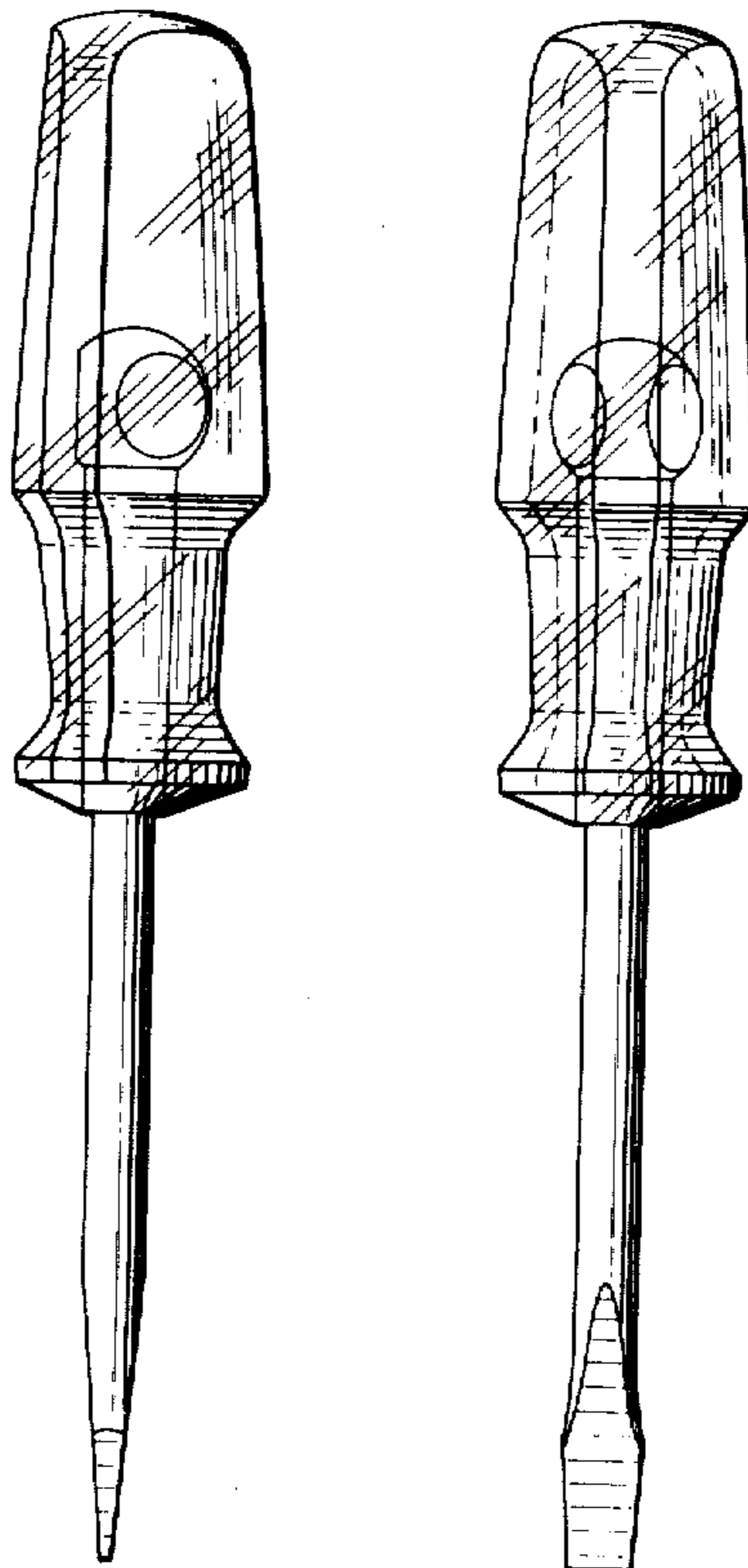
FIG. 1 is a side elevational view of a driver for fasteners made in accordance with our present invention;

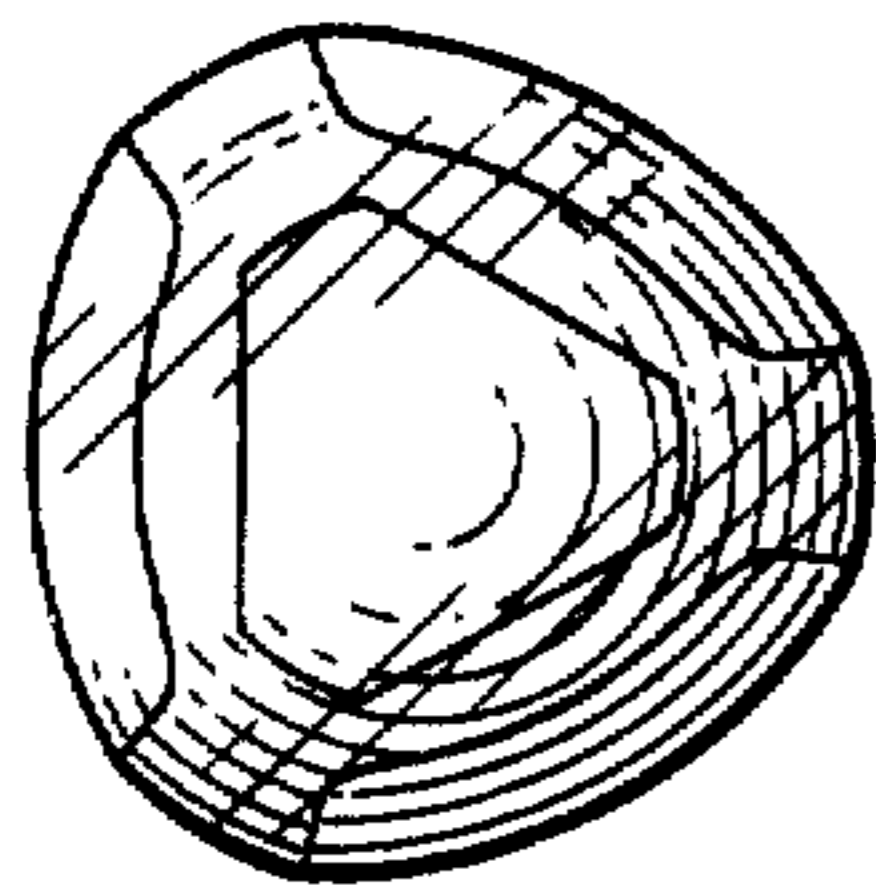
FIG. 2 is a view similar to FIG. 1 taken at approximately 90 degrees offset from FIG. 1;

FIG. 3 is a view similar to FIGS. 1 and 2 taken at approximately 180 degrees offset from FIG. 1;

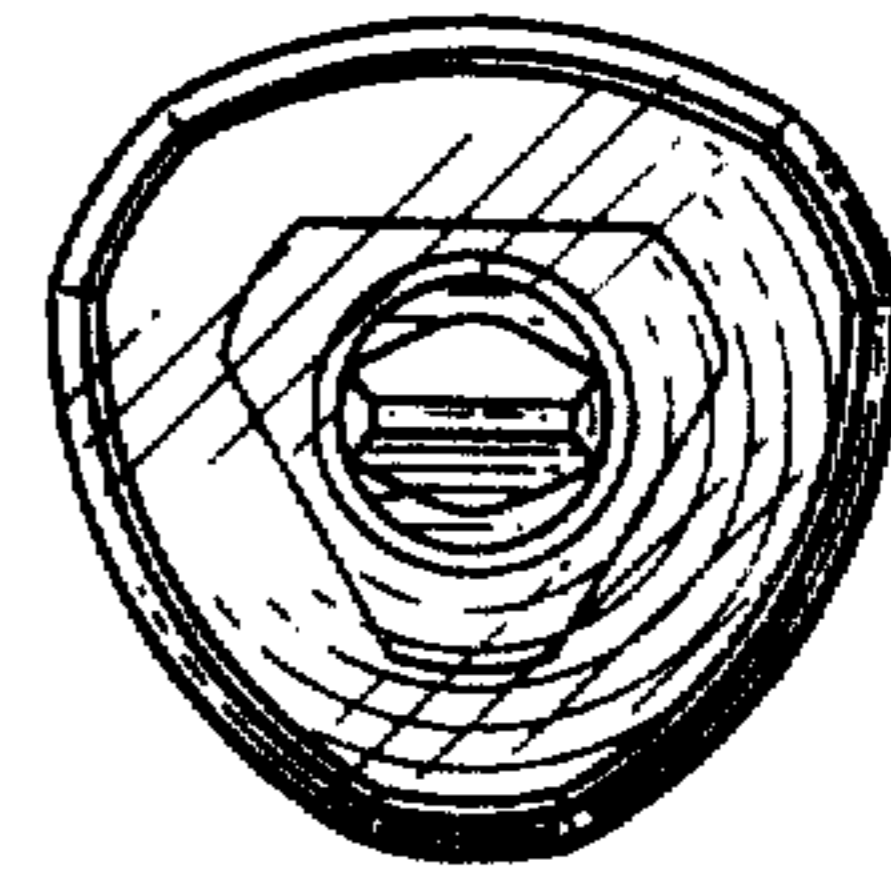
FIG. 4 is a view showing one end of the driver for fasteners; and

FIG. 5 is a view showing the opposite end thereof.



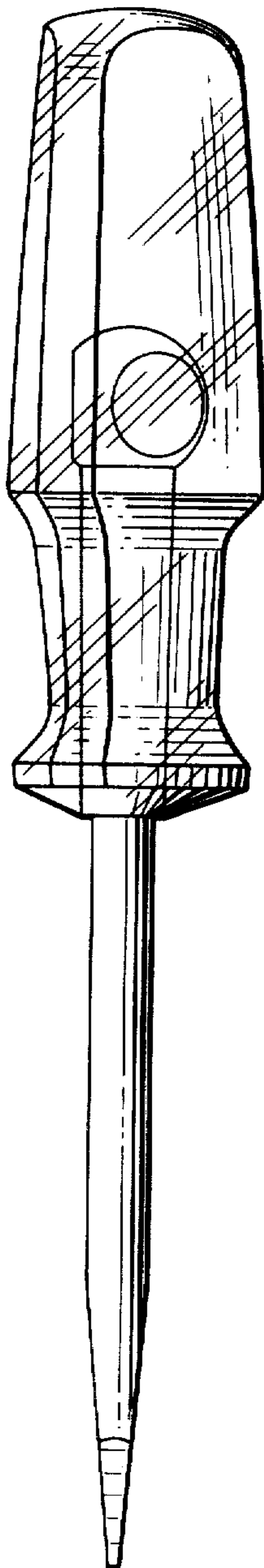


*Fig. 4.*

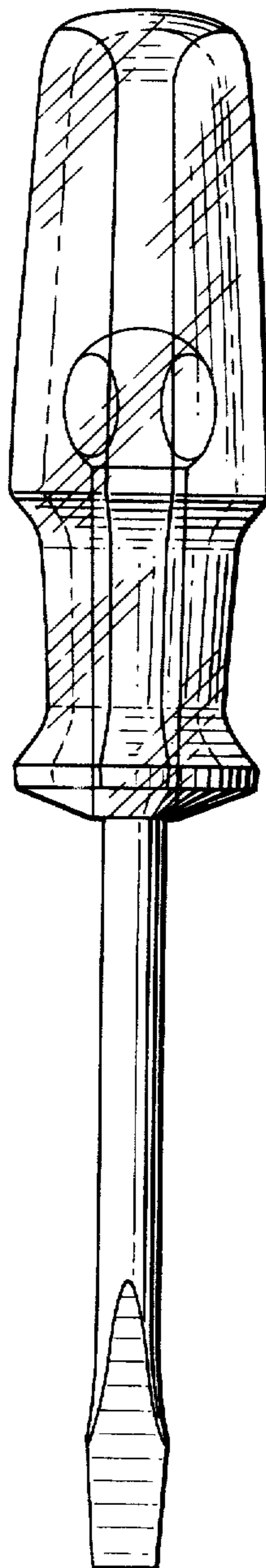


*Fig. 5.*

*Fig. 1.*



*Fig. 2.*



*Fig. 3.*

