

[54] TOOL FOR TURNING SCREWS AND THE LIKE

[75] Inventors: Lloyd T. Smith; Alan E. Bartholomew, both of Newton; Robert W. Fee; Michael L. Meister, both of Wichita; Richard J. Robbins, Derby; Richard E. Ten Eyck, Wichita, all of Kans.

[73] Assignee: S/V Tool Company, Inc., Newton, Kans.

[**] Term: 14 Years

[21] Appl. No.: 86,087

[22] Filed: Oct. 18, 1979

[51] Int. Cl. D8-04

[52] U.S. Cl. D8/82; D8/85

[58] Field of Search D8/82, 83, 85, 86; 145/61 C, 75, 76

[56] References Cited

U.S. PATENT DOCUMENTS

D. 103,676	3/1937	Fegley et al.	D8/82X
D. 233,406	10/1974	Whiteford	D8/82
D. 248,537	7/1978	Smith	D8/82
1,632,227	6/1927	Halsey	145/61 C
2,815,837	12/1957	Morgan	145/76 X

Primary Examiner—Alan P. Douglas
Attorney, Agent, or Firm—Schmidt, Johnson, Hovey & Williams

[57] CLAIM

The ornamental design for a tool for turning screws and the like, as shown.

DESCRIPTION

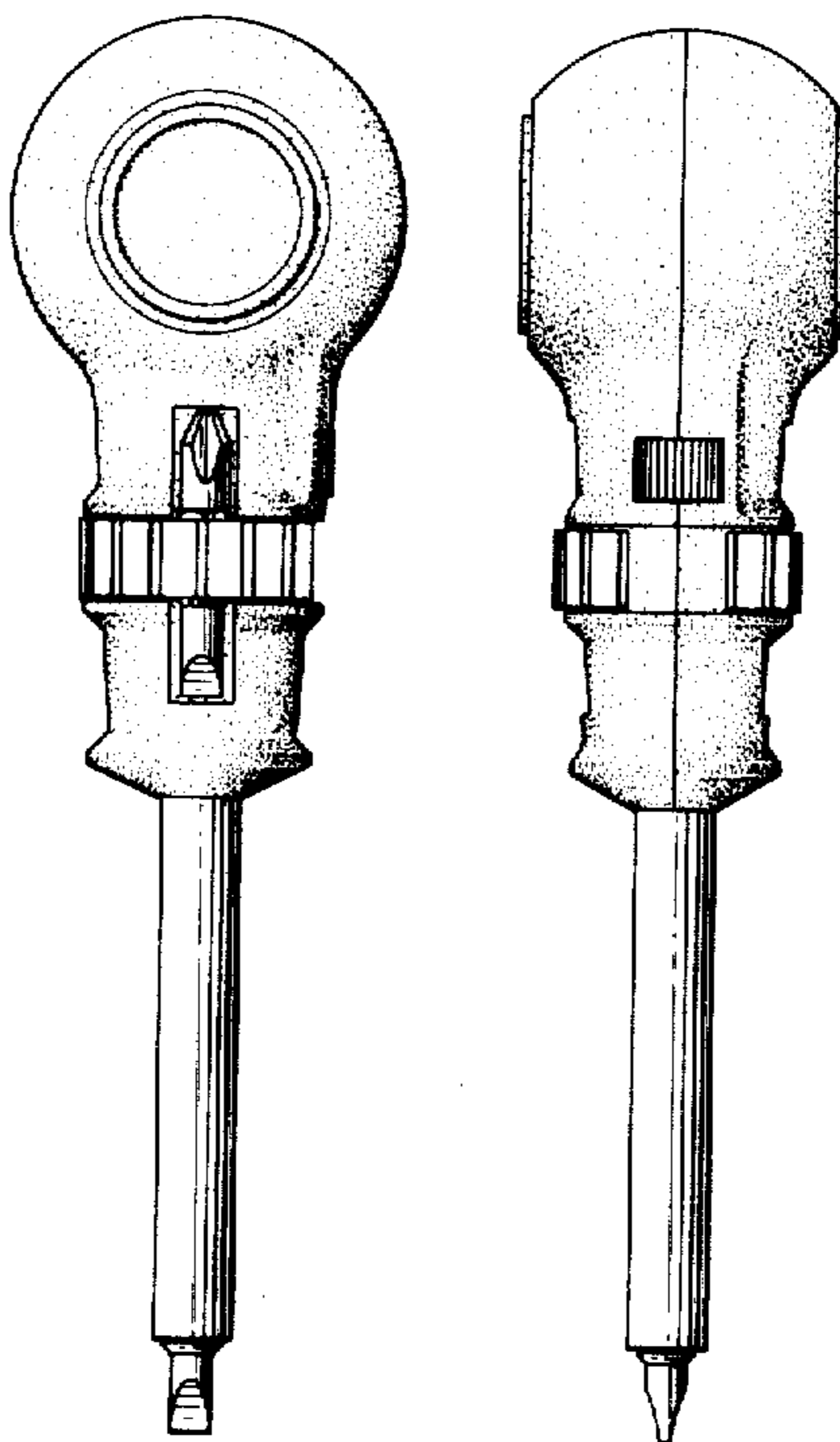
FIG. 1 is a side elevational view of a tool for turning screws and the like made in accordance with our present invention;

FIG. 2 is a view similar to FIG. 1 taken at approximately right angles to the latter;

FIG. 3 is a view similar to FIG. 2 showing the opposite side of the hand implement;

FIG. 4 is an end elevational view thereof; and

FIG. 5 is a view showing the opposite end thereof.



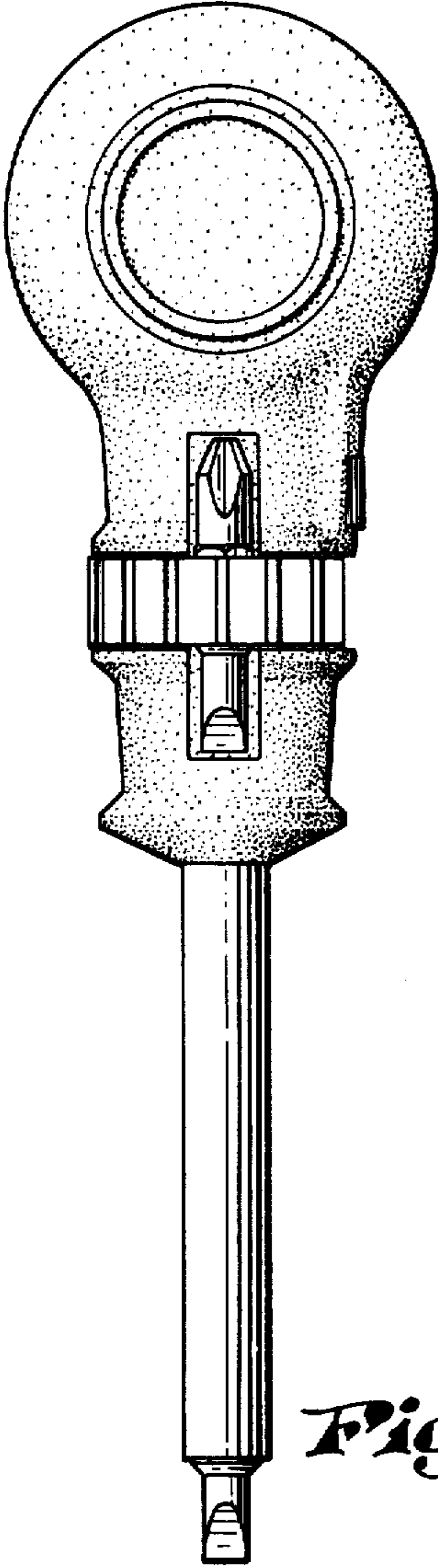


Fig. 1.

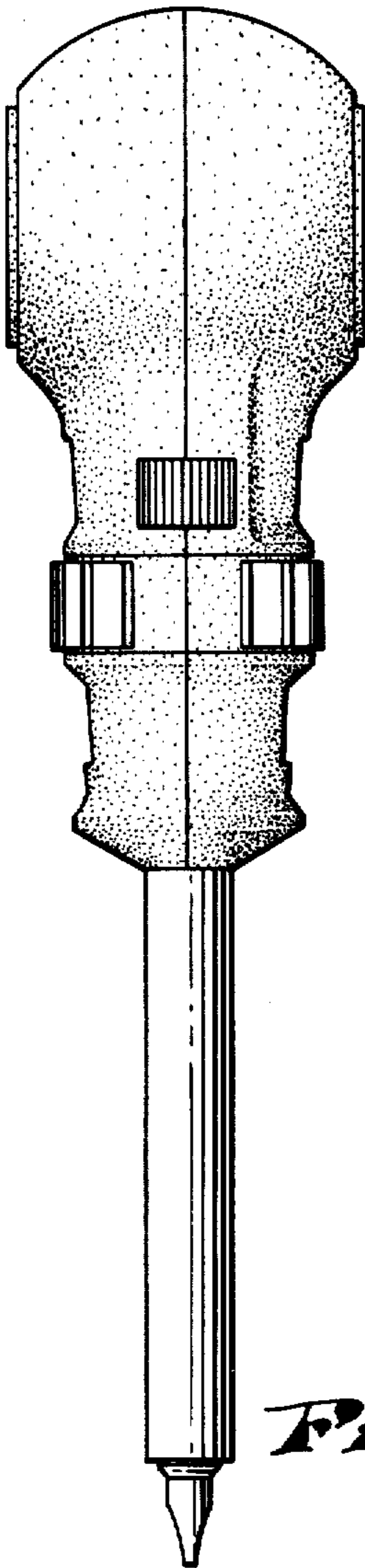


Fig. 2.

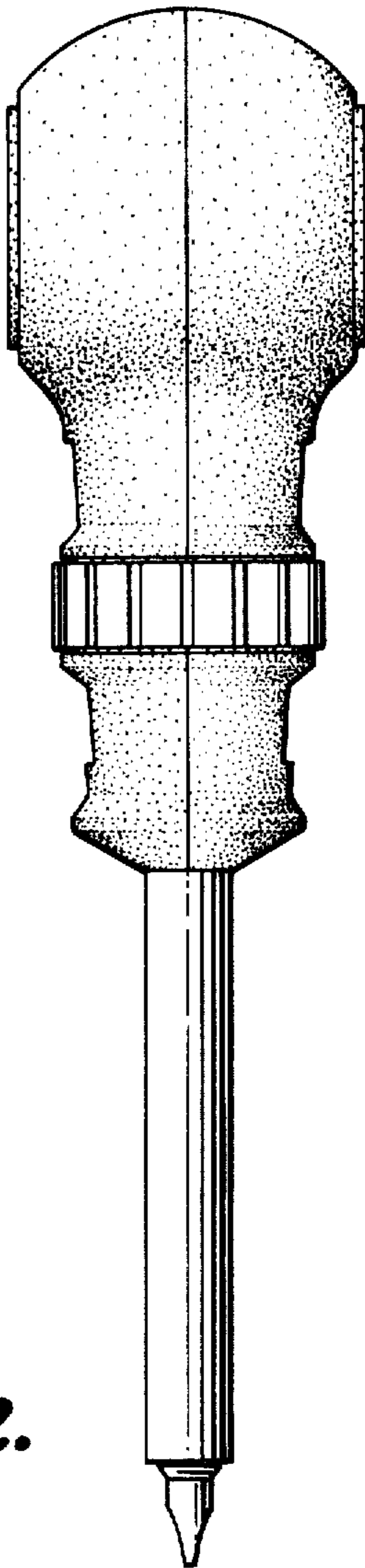


Fig. 3.

Fig. 4.

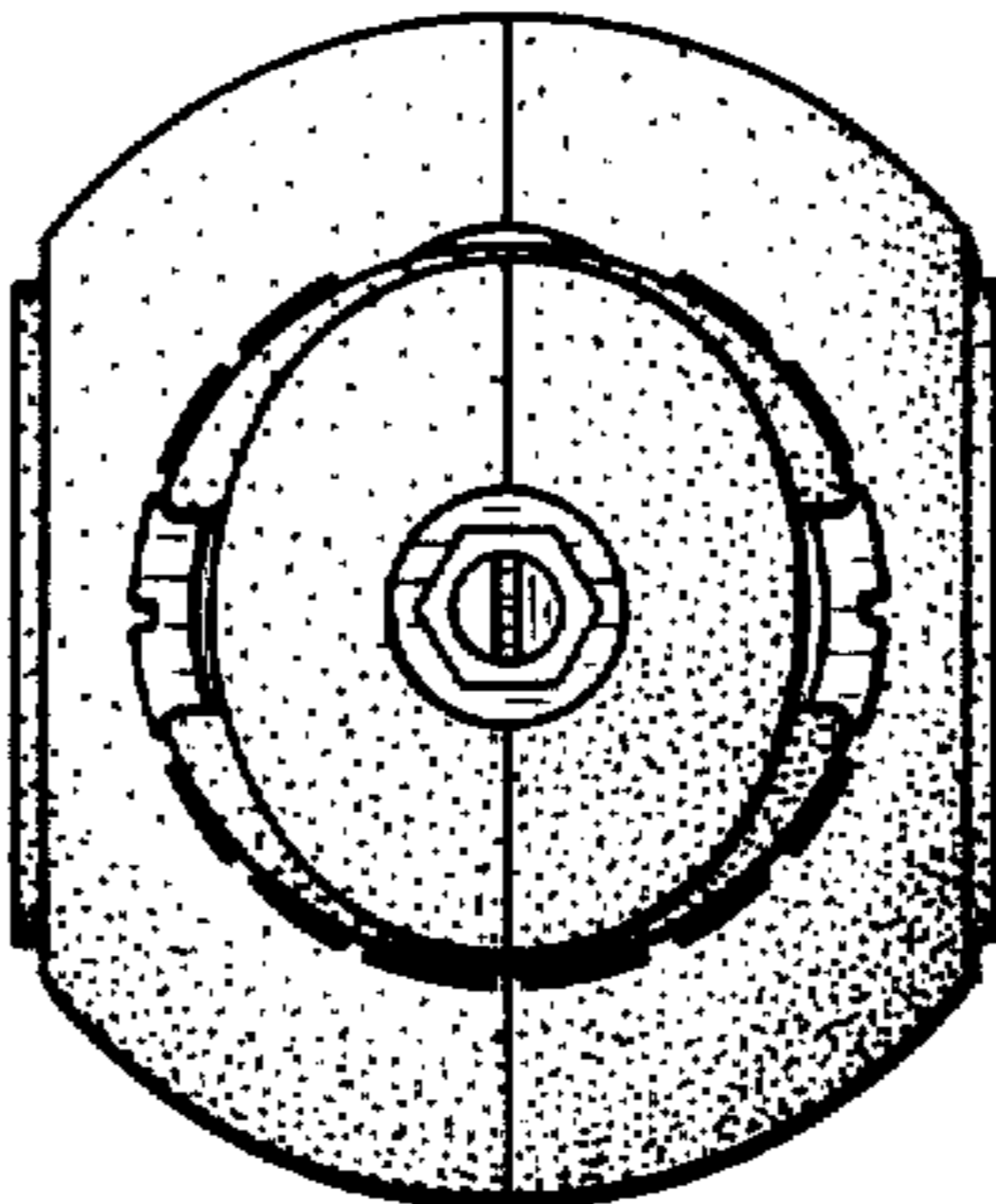
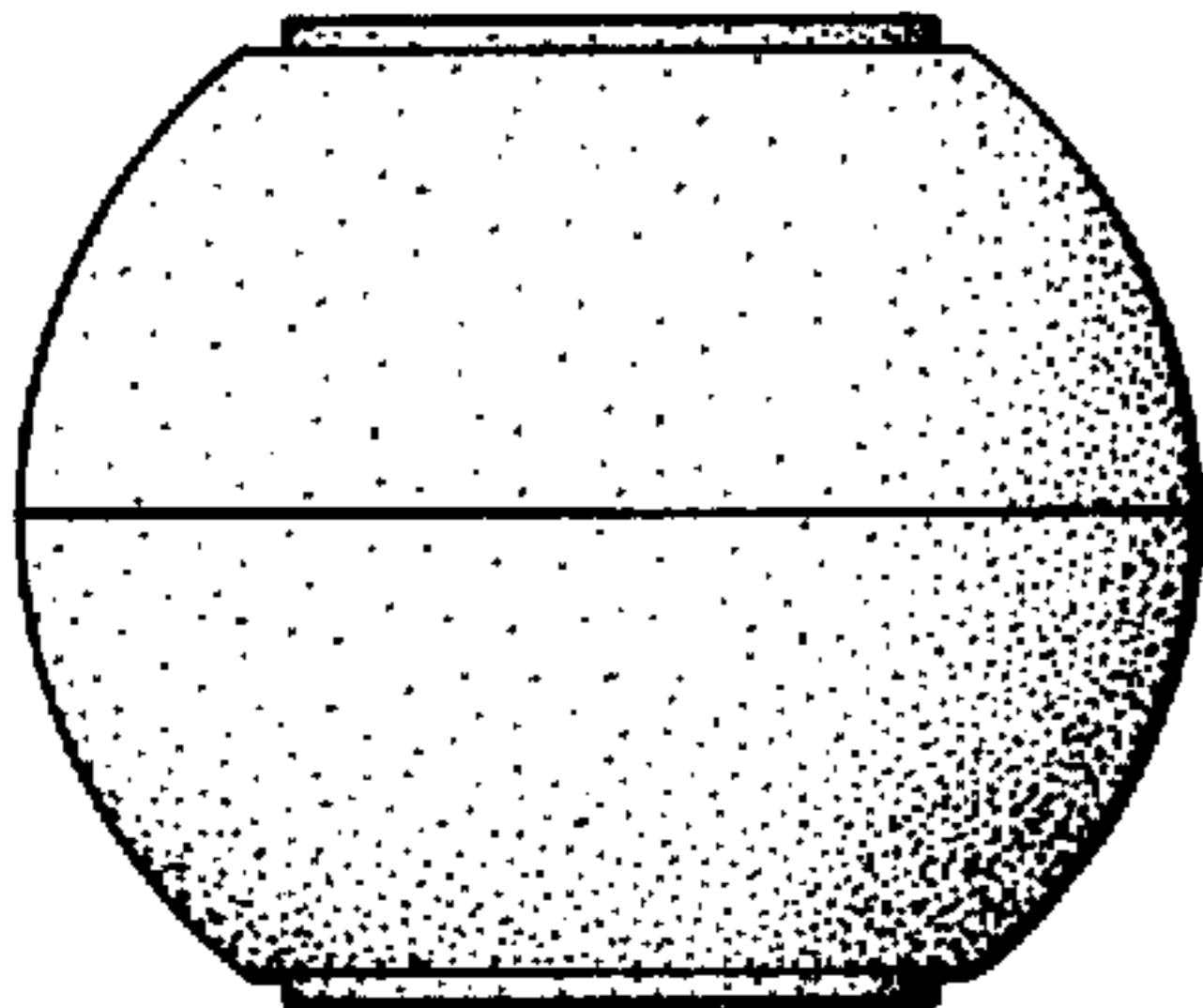


Fig. 5.