

[54] DISPLAY DEVICE

[75] Inventors: Thomas J. Alexandris, Cranbury, N.J.; D. Michael Williams, Morin Heights, Canada; Phillip Johnson, Hopewell, N.J.

[73] Assignee: Johnson & Johnson, New Brunswick, N.J.

[**] Term: 14 Years

[21] Appl. No.: 884,653

[22] Filed: Mar. 8, 1978

[51] Int. Cl. D6-07

[52] U.S. Cl. D6/235

[58] Field of Search D28/65-69; D6/232-246; 40/152, 152.1, 152.2, 154, 159, 155

[56]

References Cited

U.S. PATENT DOCUMENTS

D. 152,347	1/1949	Marty	D28/65
D. 239,467	4/1976	Ouden	D6/235
1,342,248	6/1920	Bloomquist	D6/238

Primary Examiner—Charles A. Rademaker
Attorney, Agent, or Firm—Nancy A. Bird

[57]

CLAIM

The ornamental design for the display device, substantially as shown and described.

DESCRIPTION

FIG. 1 is a front perspective view of a display device showing my new design, the side opposite being substantially a mirror image; and FIG. 2 is a perspective view thereof shown in a hinged configuration.

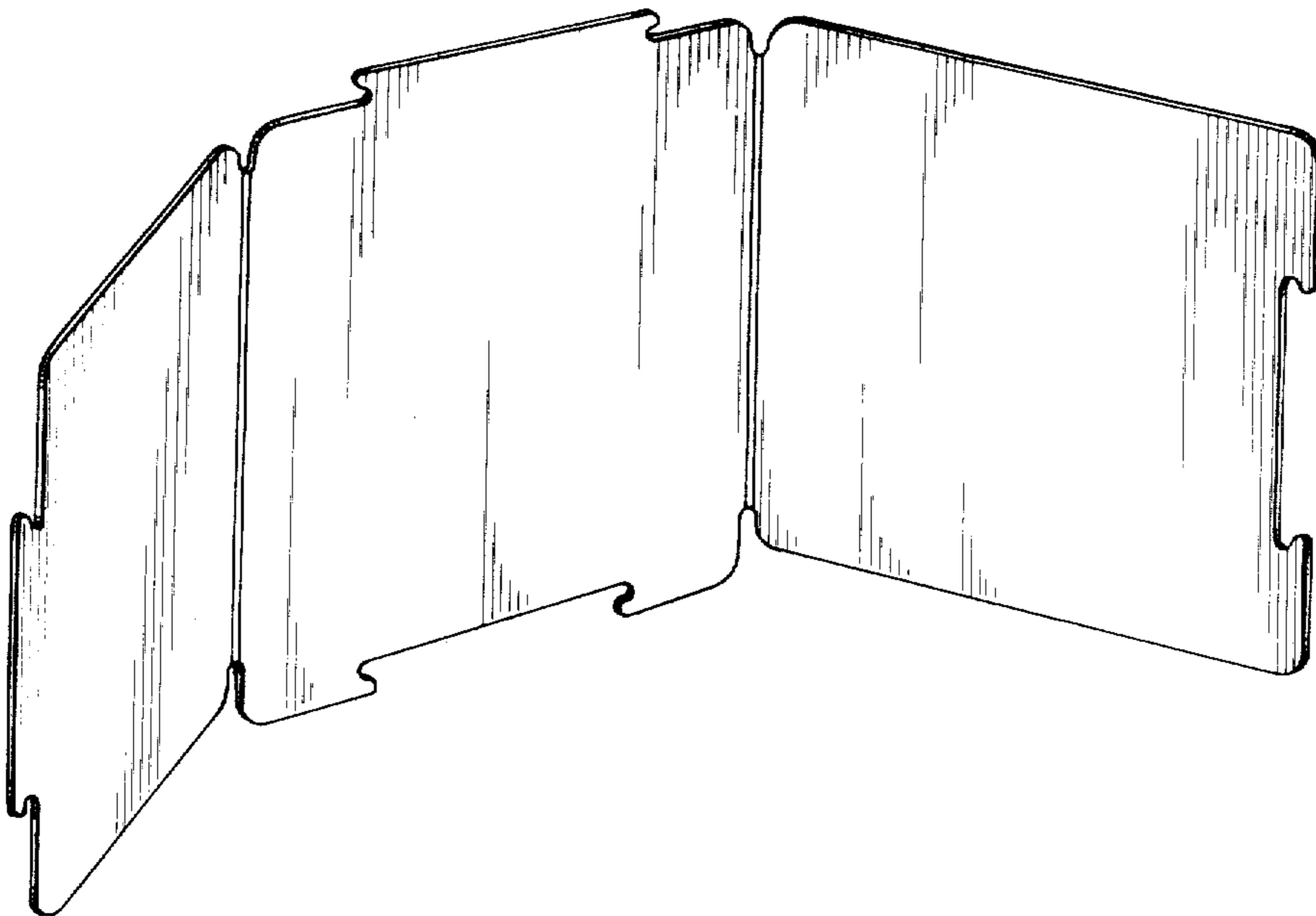


Fig. 1.

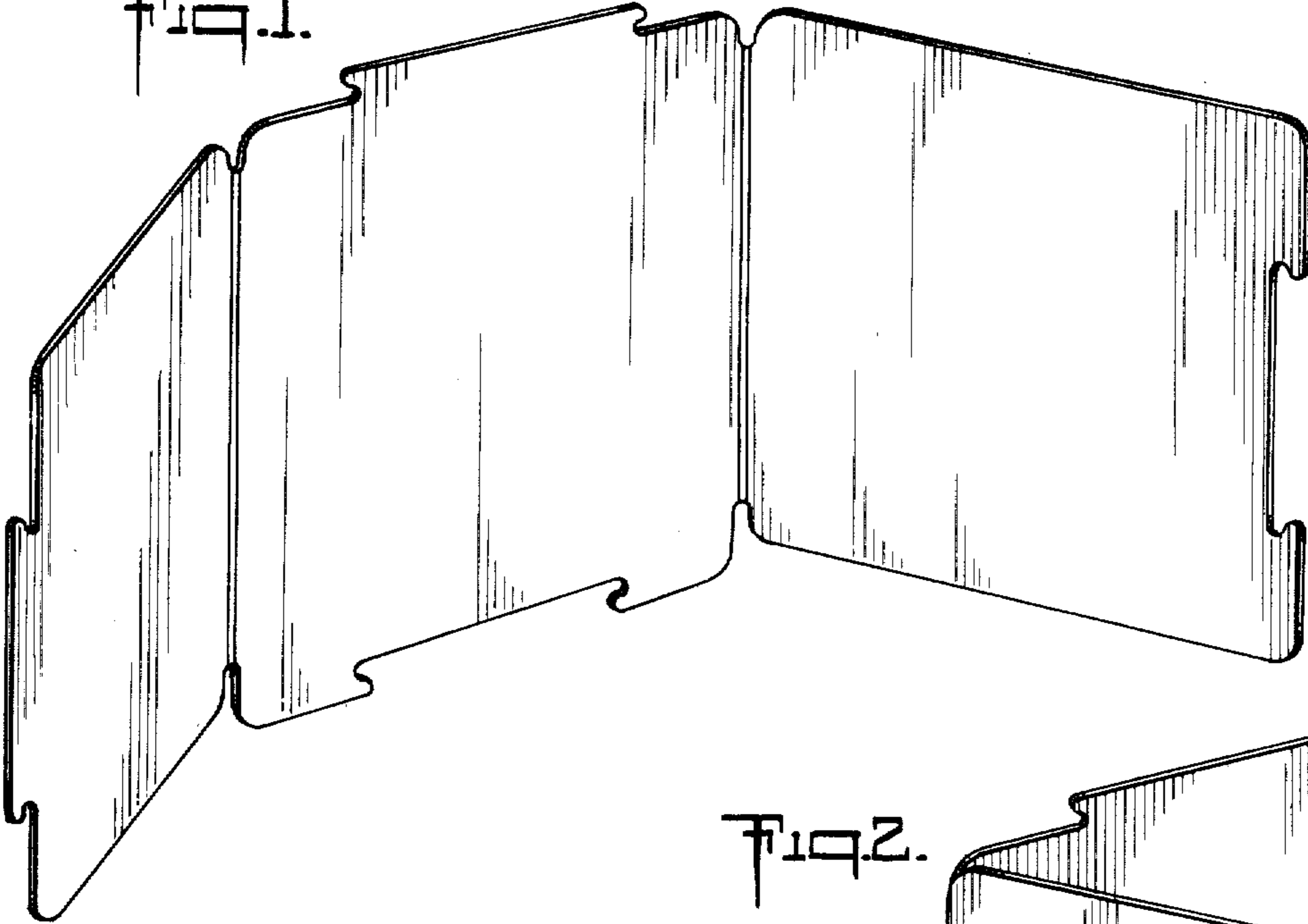


Fig. 2.

