

[54] **MULTIPLE CASSETTE CARTRIDGE
HOLDER**

[76] Inventor: **Arthur R. Goldammer**, 3439 Peck
Ave., San Pedro, Calif. 90731

[**] Term: **14 Years**

[21] Appl. No.: **959,709**

[22] Filed: **Nov. 13, 1978**

[51] Int. Cl. **D6-06**

[52] U.S. Cl. **D6/130; D3/35;
D6/157; D6/189**

[58] **Field of Search** **D6/85, 114, 113, 130,
D6/157, 184, 185; D3/35; 220/1 A, 18, 20;
211/13, 40, 87, 88; 312/8-10; 206/387**

[56] **References Cited**

U.S. PATENT DOCUMENTS

D. 208,253 8/1967 Standard D3/35

D. 250,495 12/1978 Mollura D3/35
D. 255,300 6/1980 Charles D6/157
3,510,008 5/1970 Mason 312/10
3,620,367 11/1971 Stembel 220/20

Primary Examiner—B. J. Bullock
Attorney, Agent, or Firm—Singer & Singer

[57] **CLAIM**

The ornamental design for a multiple cassette cartridge holder, substantially as shown and described.

DESCRIPTION

FIG. 1 is a perspective view of a multiple cassette cartridge holder showing my new design; FIG. 2 is a side elevational view taken from the left of FIG. 1, the side opposite being a mirror image thereof; FIG. 3 is a top plan view, the bottom being a mirror image thereof; FIG. 4 is a front elevation view thereof; and FIG. 5 is a rear elevation view thereof.

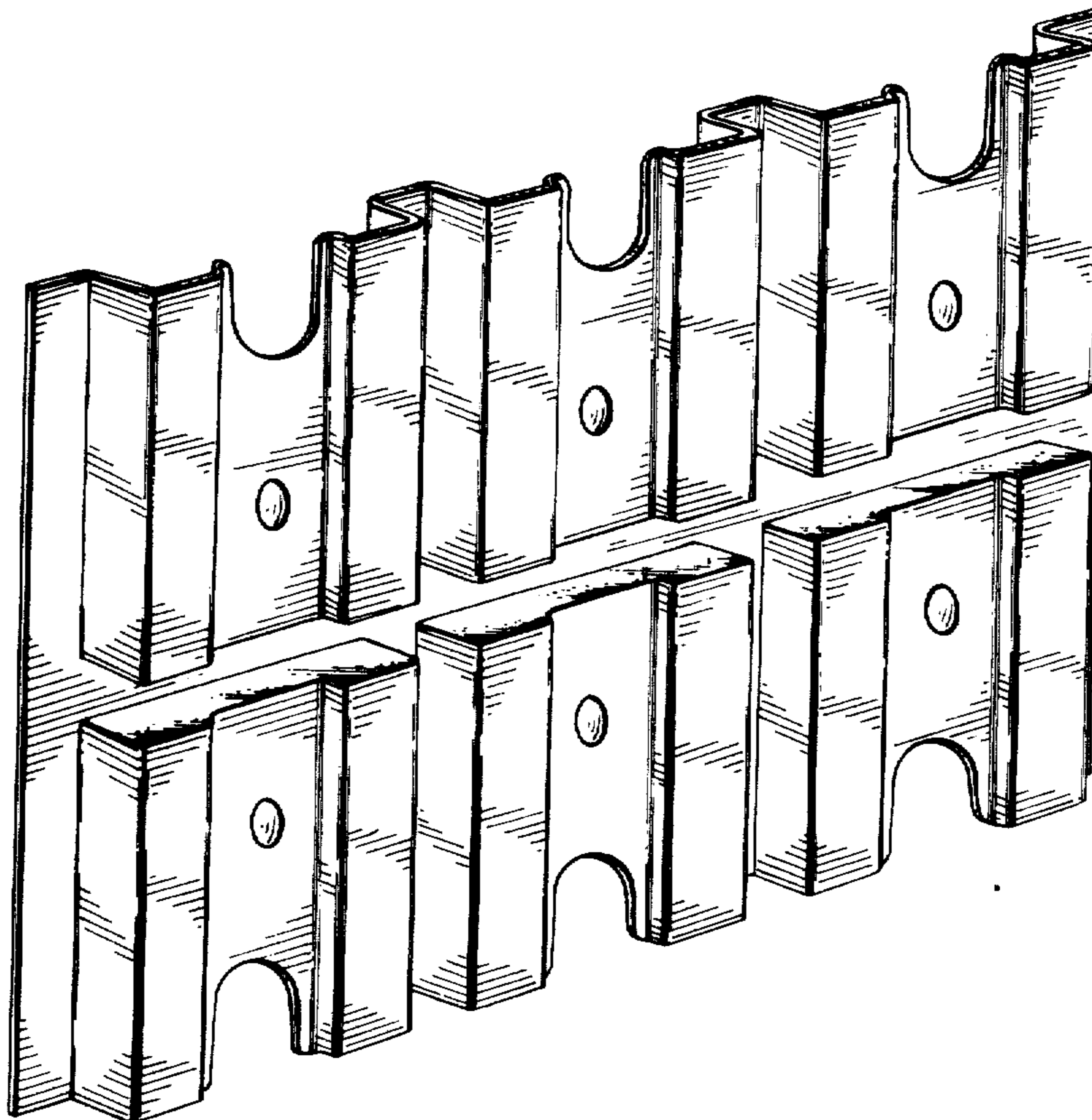


Fig. 1.

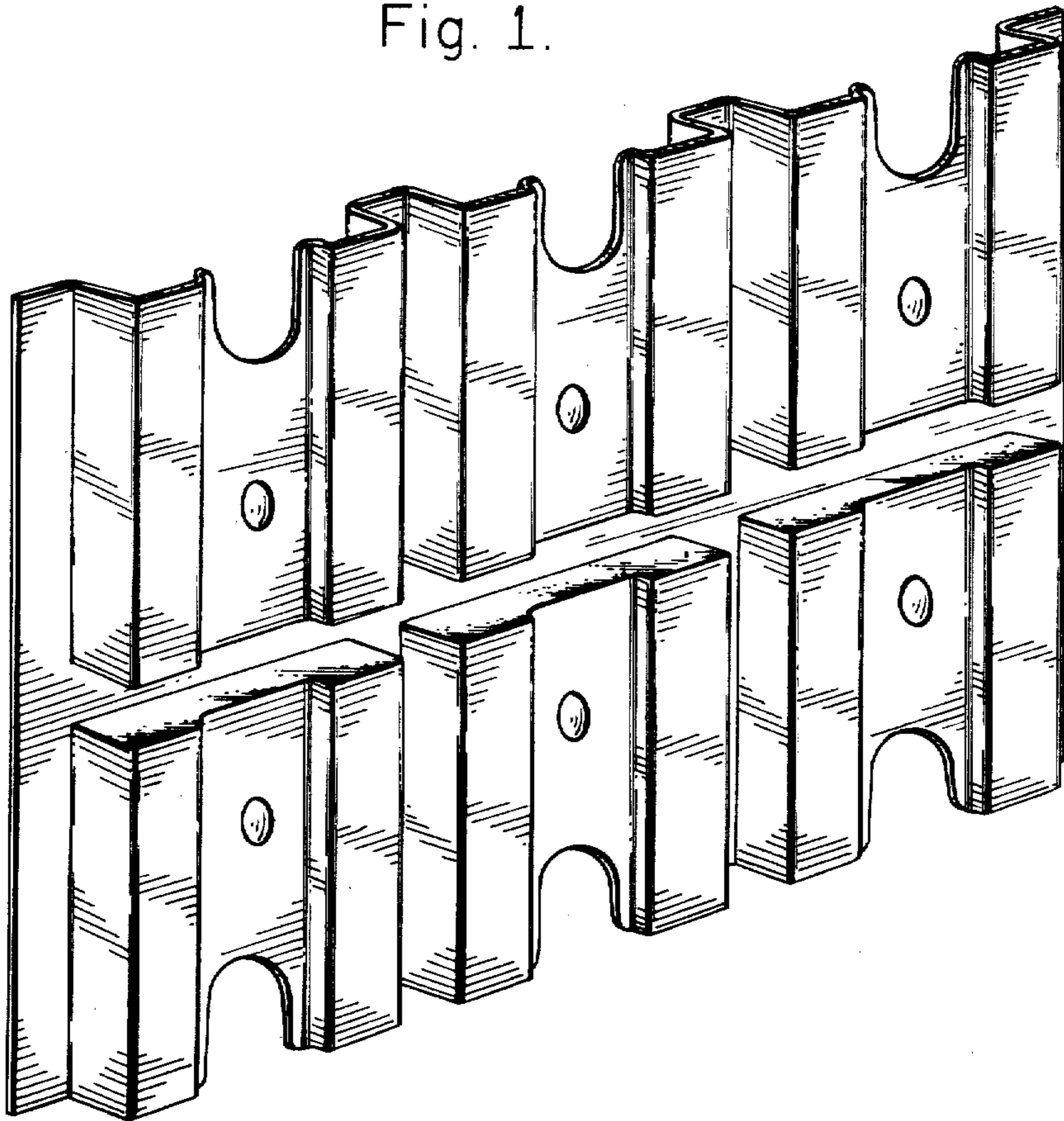


Fig. 2.



Fig. 3.

Fig. 4.

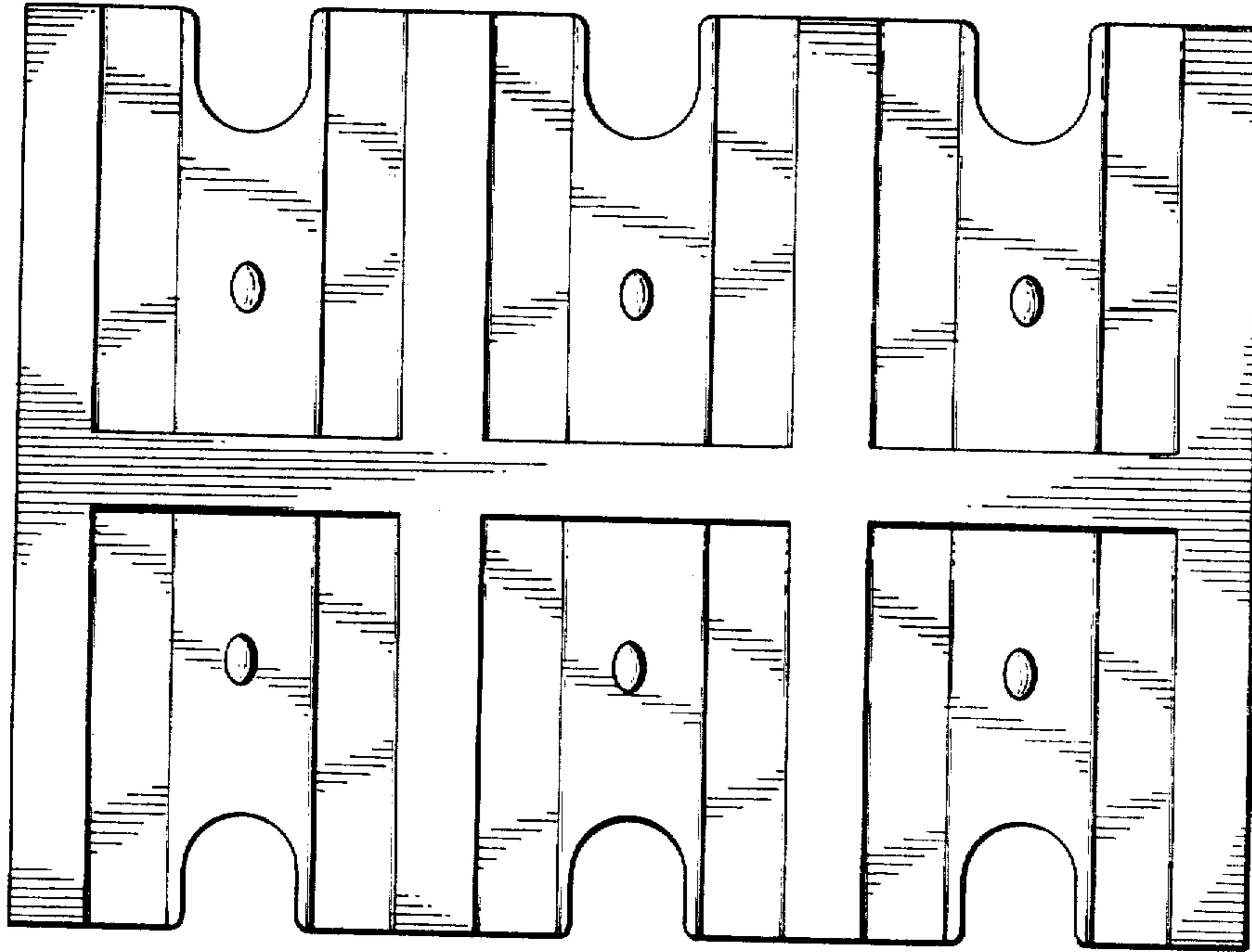


Fig. 5.

