

[54] RACK FOR UTILITY, TELEPHONE AND POWER CABLES OR THE LIKE

[76] Inventor: Lyle H. Mathews, 2141 Shannon Way, Mesa, Ariz. 85205

[**] Term: 14 Years

[21] Appl. No.: 165,068

[22] Filed: Jul. 1, 1980

[51] Int. Cl. D6-04; D8-08

[52] U.S. Cl. D6/114; D6/125; D8/356; D8/372

[58] Field of Search D6/114, 125; D8/363, D8/366, 373, 376, 380, 356, 372; 211/13, 60 R, 60 A, 69, 87, 89; 248/68 R, 300

[56] References Cited

U.S. PATENT DOCUMENTS

D. 138,739	9/1944	Harris	D8/380
D. 228,737	10/1973	Mathews	D6/114
429,421	6/1890	Coit	248/300
887,272	5/1908	Robinson	248/68R
1,334,545	3/1920	Londelius	248/68 R

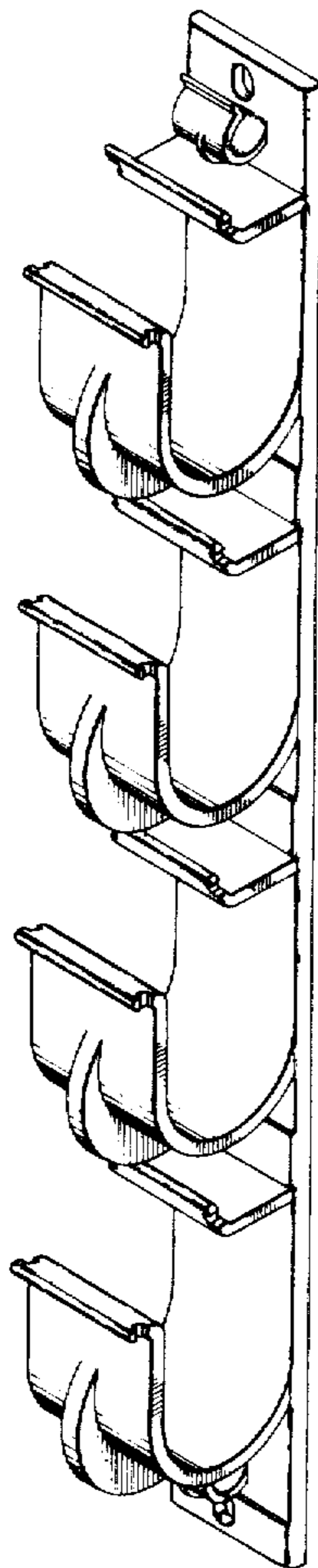
Primary Examiner—B. J. Bullock
Attorney, Agent, or Firm—Philip M. Hinderstein

[57] CLAIM

The ornamental design for a rack for utility, telephone and power cables or the like, as shown and described.

DESCRIPTION

FIG. 1 is a top, front perspective view of a rack for utility, telephone and power cables or the like showing my new design, the rear being flat and unornamented; FIG. 2 is a side elevational view taken from the left of FIG. 1; FIG. 3 is a front elevational view thereof; FIG. 4 is a bottom plan view thereof.



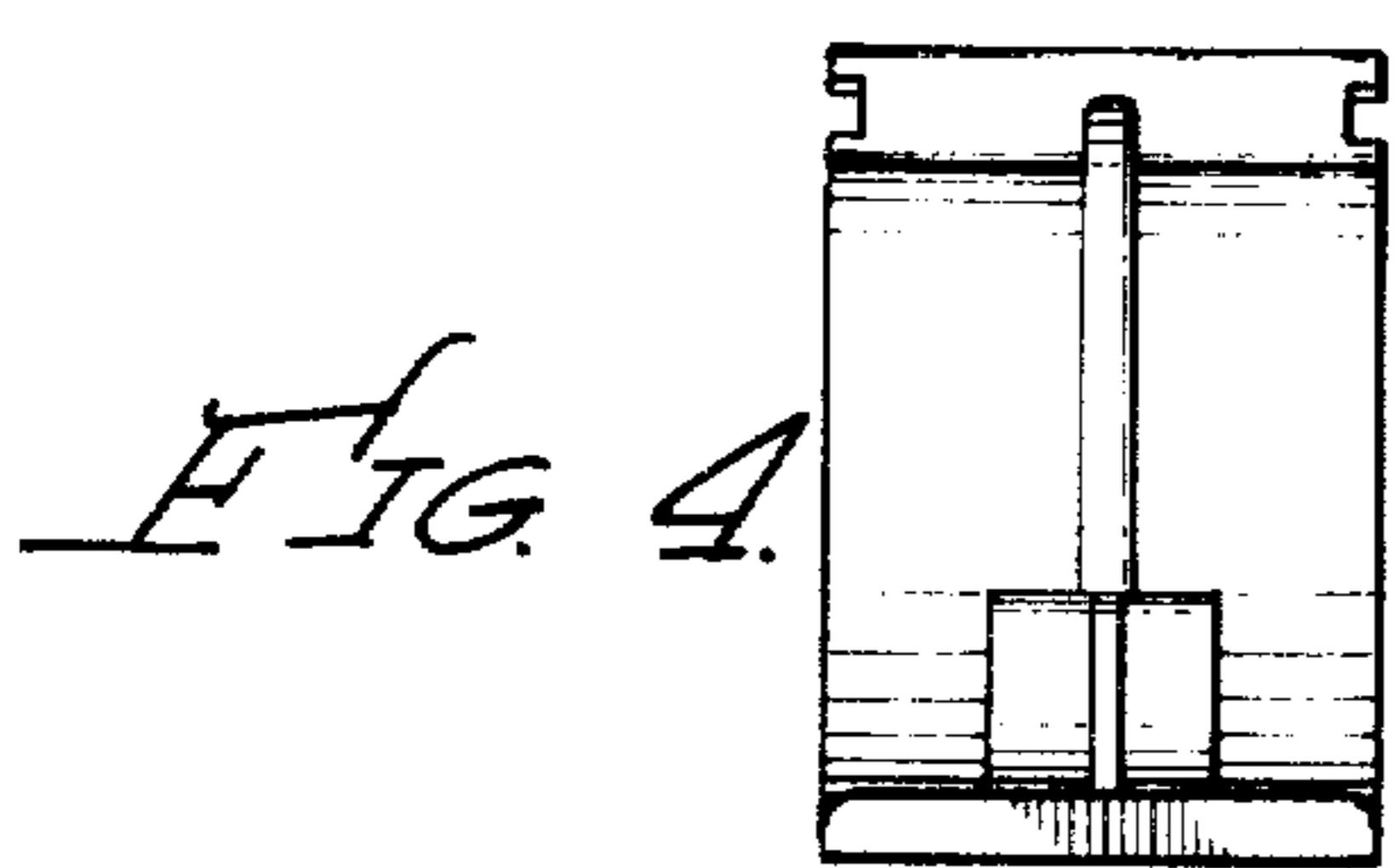
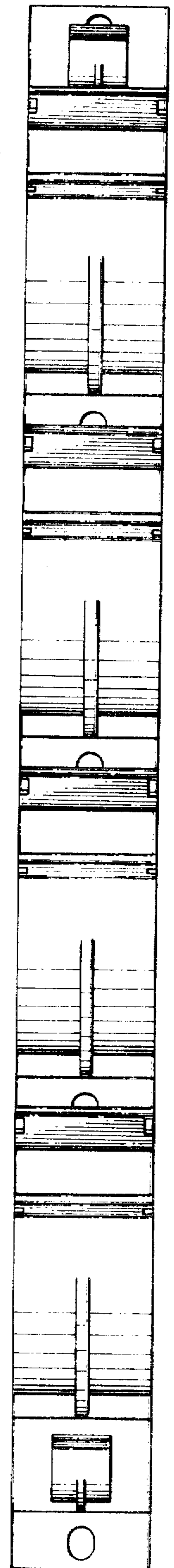
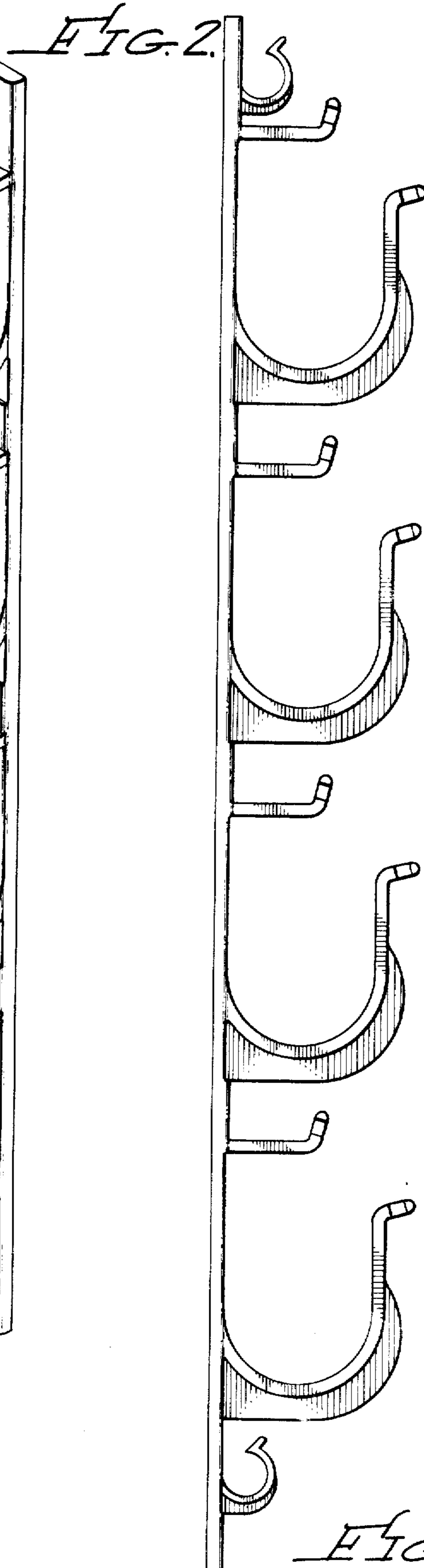
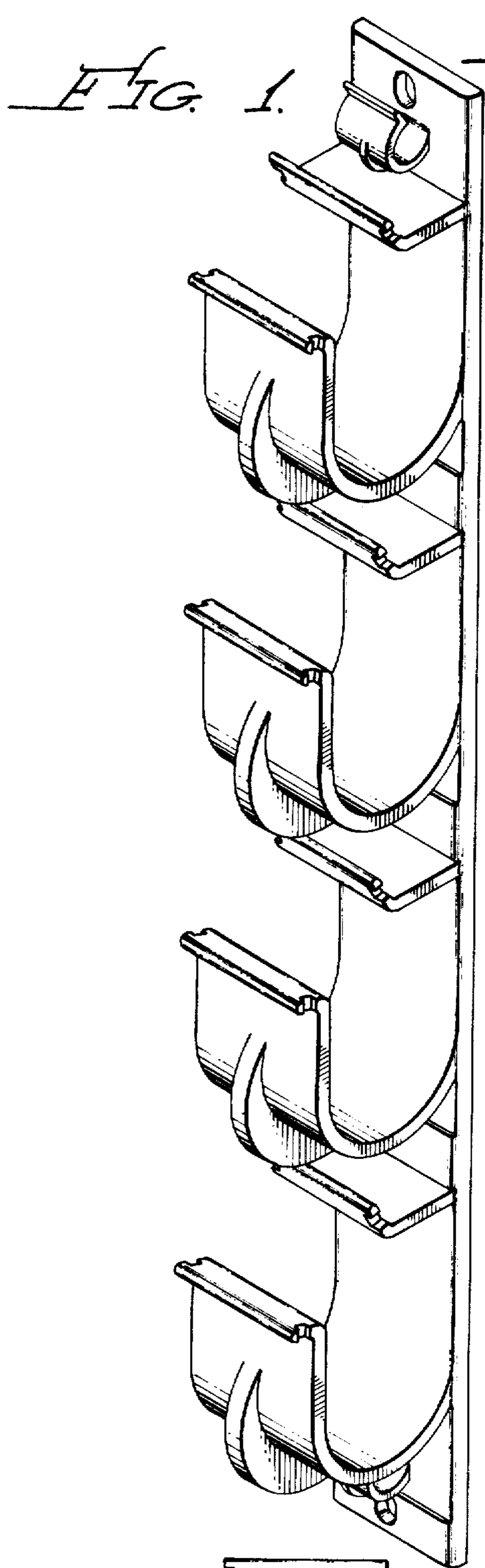


FIG. 3.

0