

United States Patent [19]

Aronowitz et al.

[11] **Des. 261,954**

[45] **** Nov. 24, 1981**

[54] **CHAIR**

[75] Inventors: **Robert J. Aronowitz**, New York;
Bernard D. Katzanek, Brooklyn, both
of N.Y.

[73] Assignee: **Robert Bernard Associates**,
Brooklyn, N.Y.

[*] Notice: The portion of the term of this patent
subsequent to Nov. 24, 1995, has
been disclaimed.

[**] Term: **14 Years**

[21] Appl. No.: **74,608**

[22] Filed: **Sep. 12, 1979**

[51] Int. Cl. **D6—01**

[52] U.S. Cl. **D6/47; D6/66**

[58] Field of Search **D6/37-39,**
D6/47-78

[56]

References Cited

U.S. PATENT DOCUMENTS

D. 132,793	6/1942	Reiss	D6/47
D. 238,914	2/1976	Zapf	D6/71
D. 239,671	4/1976	Offredi	D6/47
D. 247,009	1/1978	Schöblom et al.	D6/37
D. 251,938	5/1979	Spound et al.	D6/47

Primary Examiner—Bruce W. Dunkins

Attorney, Agent, or Firm—Gregory J. Battersby

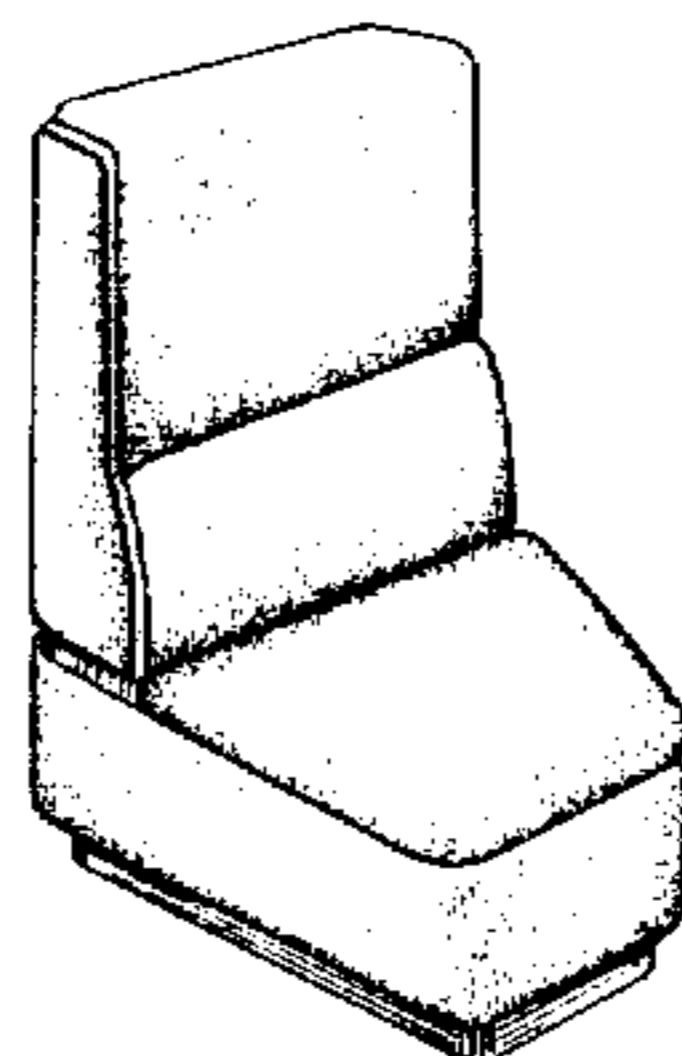
[57]

CLAIM

The ornamental design for the chair, as shown and
described.

DESCRIPTION

FIG. 1 is a front perspective view illustrating the seat-
ing unit of the present invention;
FIG. 2 is a rear perspective view thereof;
FIG. 3 is a side elevational view thereof;
FIG. 4 is a front elevational view thereof; and
FIG. 5 is a top plan view thereof.



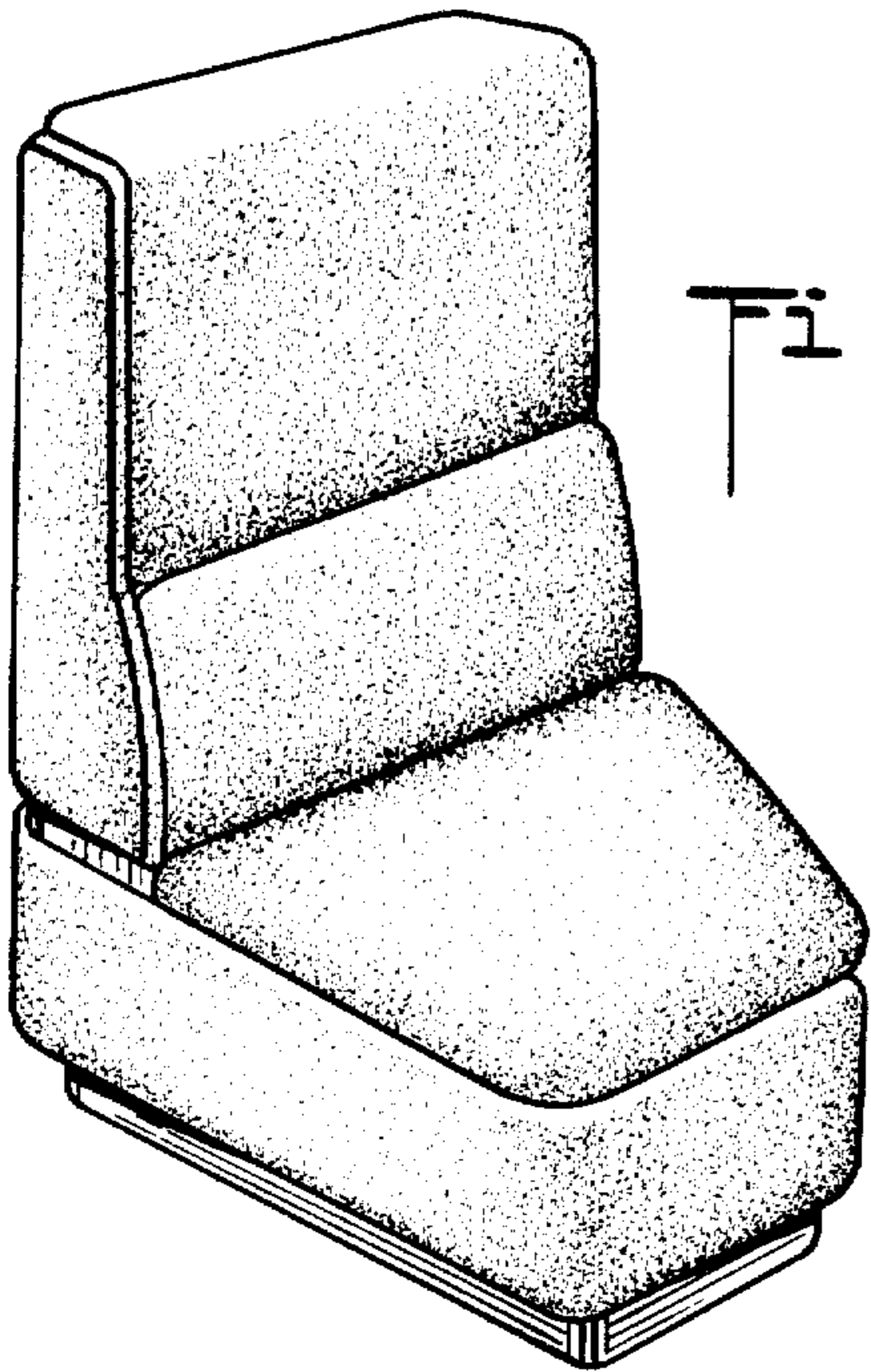


Fig. 1.

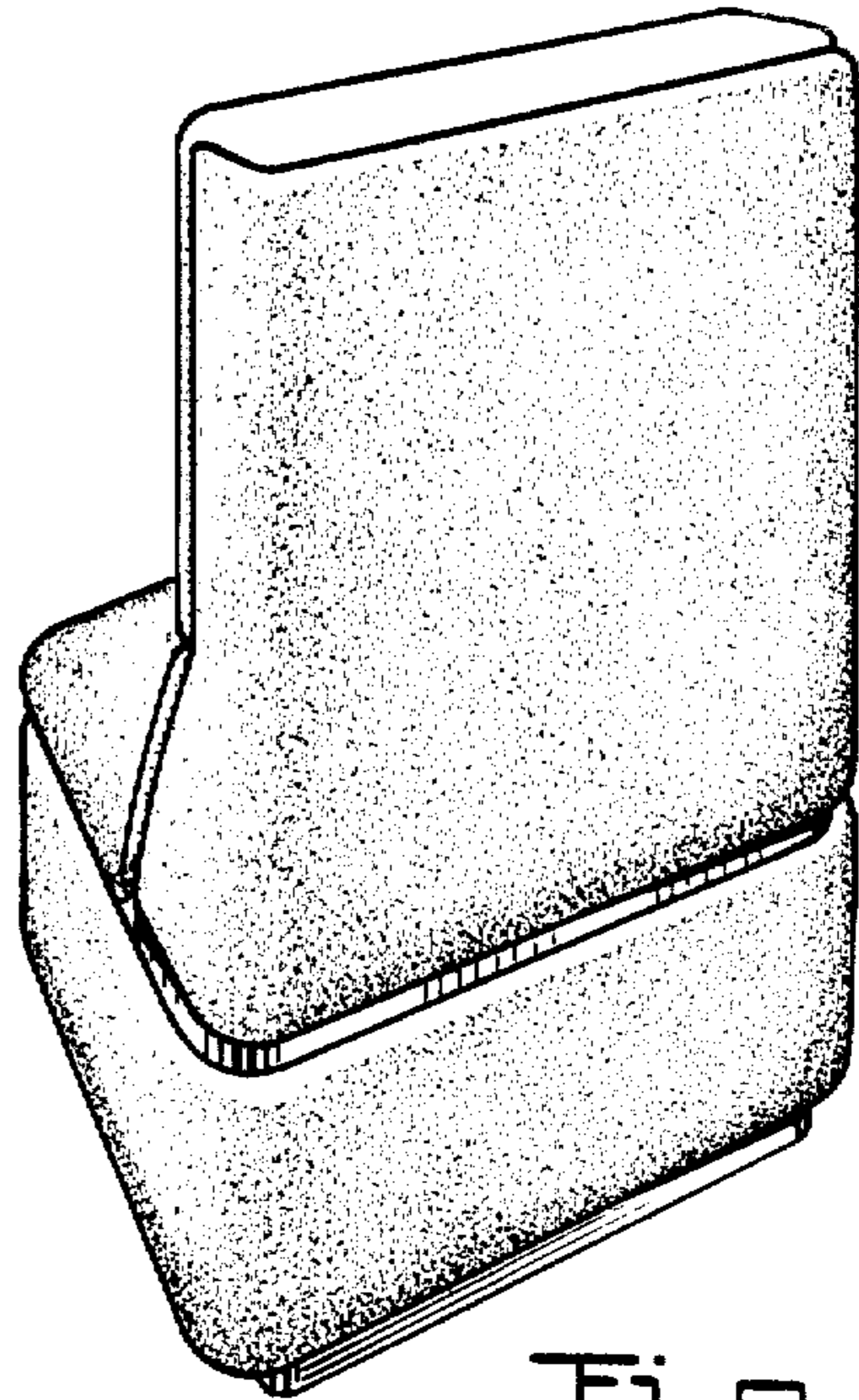


Fig. 2.

Fig. 3.

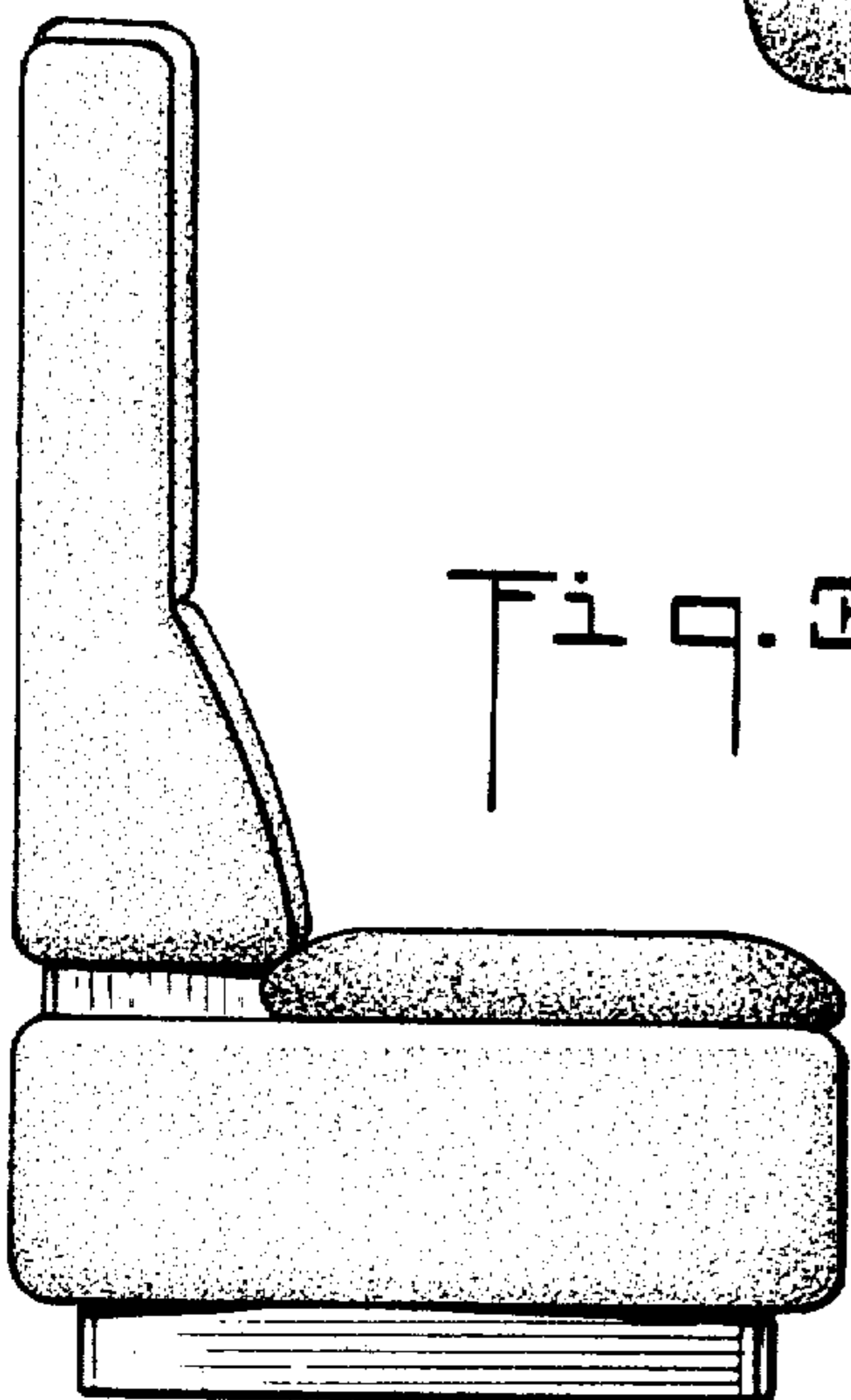
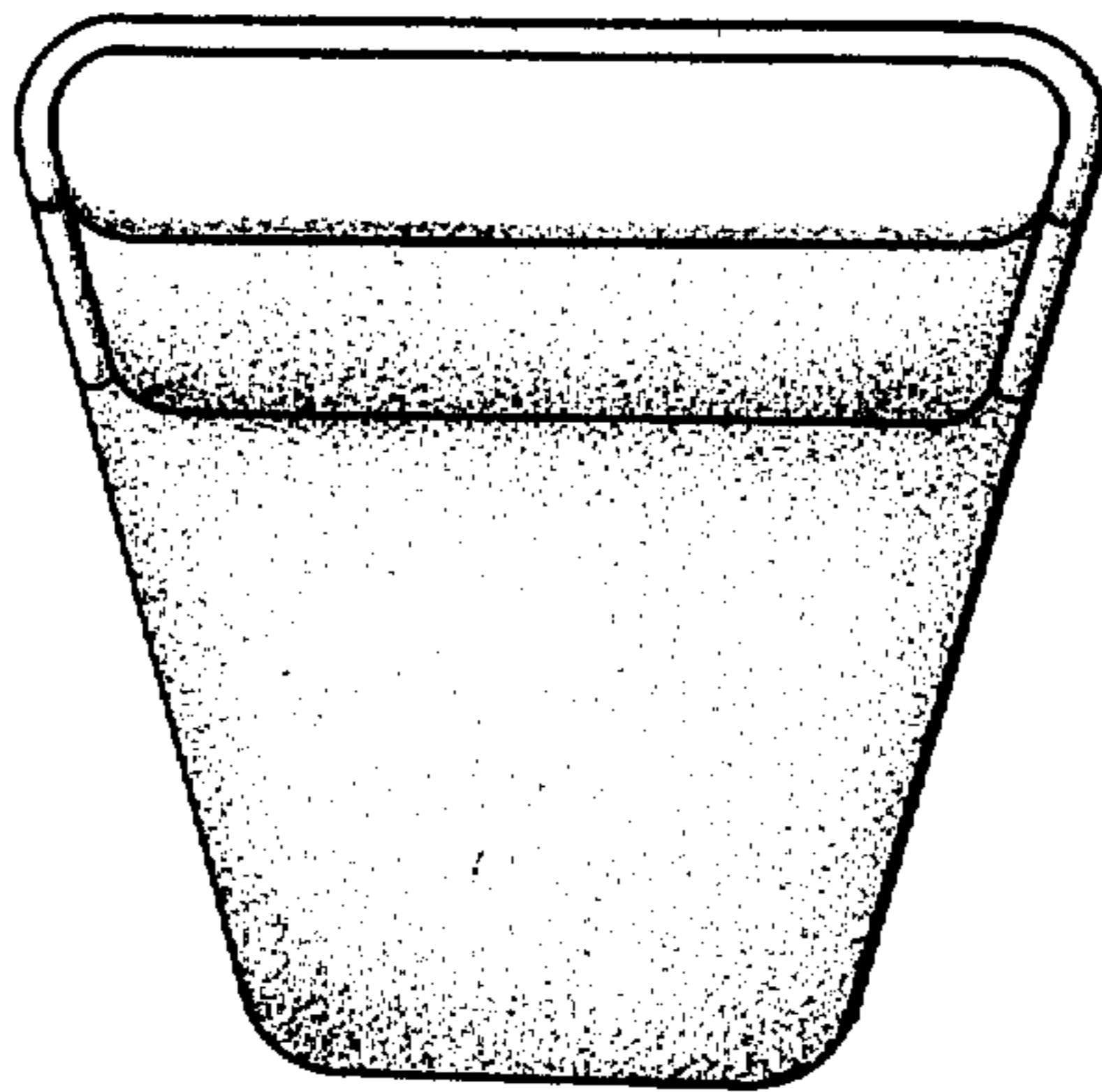


Fig. 3.

Fig. 4.

