

[54] **CHAIR**

[75] Inventors: **Robert J. Aronowitz**, New York;
Bernard D. Katzanek, Brooklyn, both
of N.Y.

[73] Assignee: **Robert Bernard Associates**,
Brooklyn, N.Y.

[*] Notice: The portion of the term of this patent
subsequent to Nov. 24, 1995, has
been disclaimed.

[**] Term: **14 Years**

[21] Appl. No.: **74,601**

[22] Filed: **Sep. 12, 1979**

[51] Int. Cl. **D6—01**

[52] U.S. Cl. **D6/47**

[58] Field of Search **D6/37-39,**
D6/47-78

[56] **References Cited**

U.S. PATENT DOCUMENTS

| | | | |
|------------|--------|----------------------|-------|
| D. 132,793 | 6/1942 | Reiss | D6/47 |
| D. 238,914 | 2/1976 | Zapf | D6/71 |
| D. 239,671 | 4/1976 | Offredi | D6/47 |
| D. 247,009 | 1/1978 | Schöblom et al. | D6/37 |
| D. 251,938 | 5/1979 | Spound et al. | D6/47 |

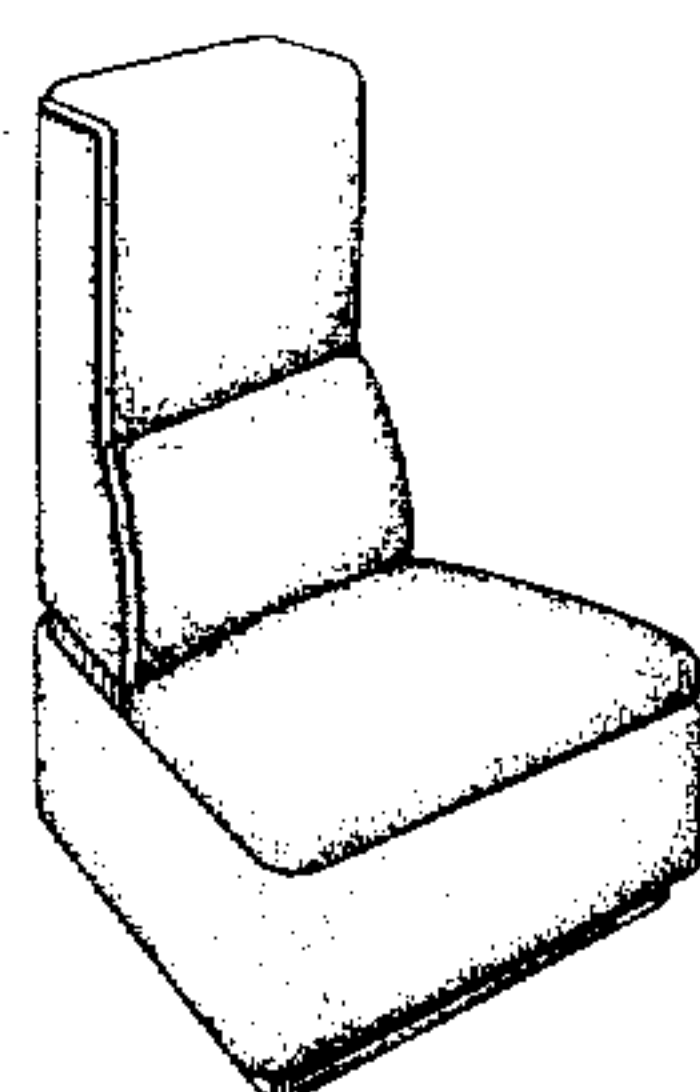
Primary Examiner—Bruce W. Dunkins
Attorney, Agent, or Firm—Gregory J. Battersby

[57] **CLAIM**

The ornamental design for a chair, as shown and de-
scribed.

DESCRIPTION

FIG. 1 is a front perspective view illustrating the chair
of the present invention;
FIG. 2 is a rear perspective view thereof;
FIG. 3 is a side elevational view thereof;
FIG. 4 is a front elevational view thereof; and
FIG. 5 is a top plan view thereof.



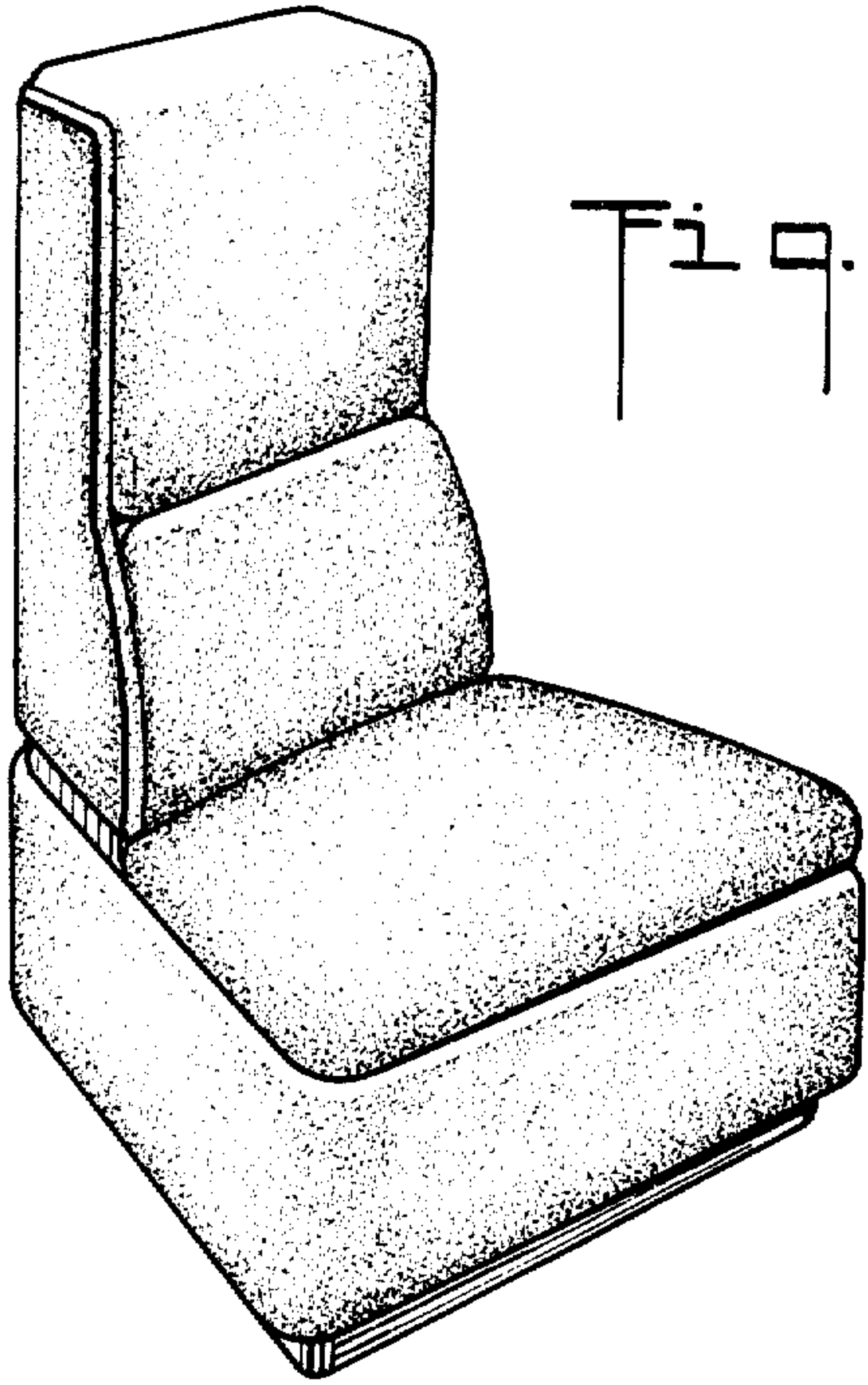


Fig. 1.

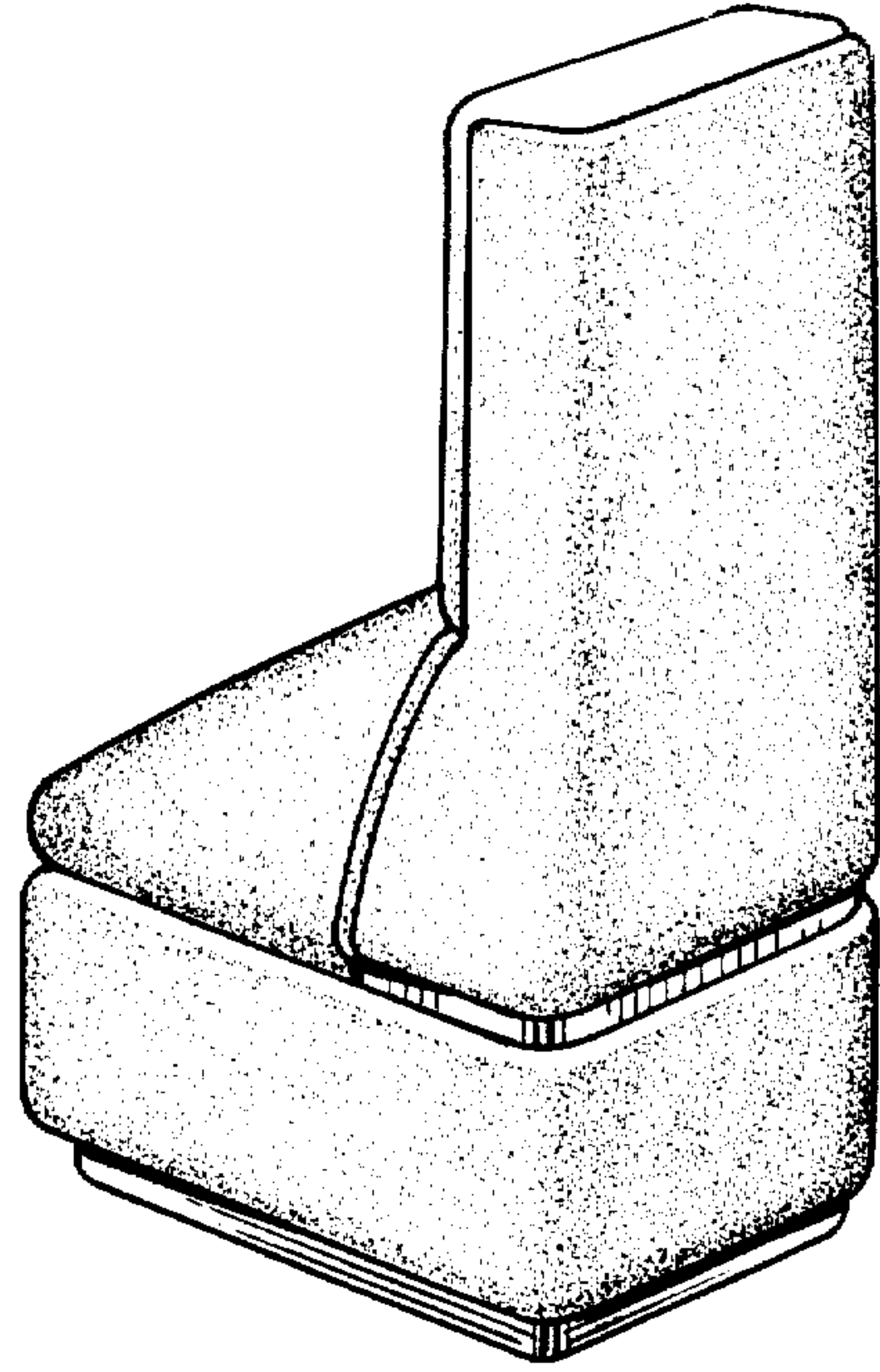


Fig. 2.

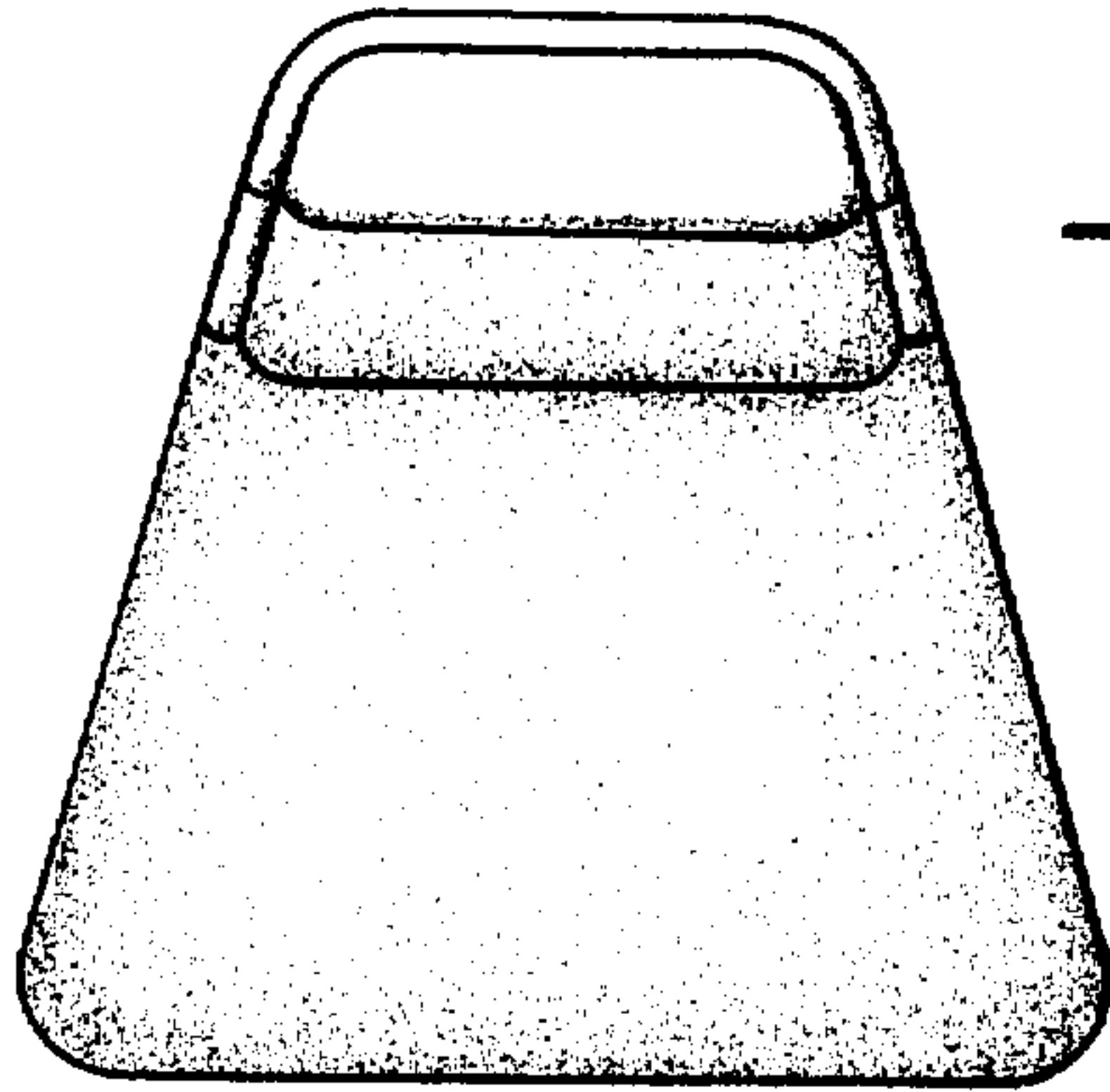


Fig. 3.

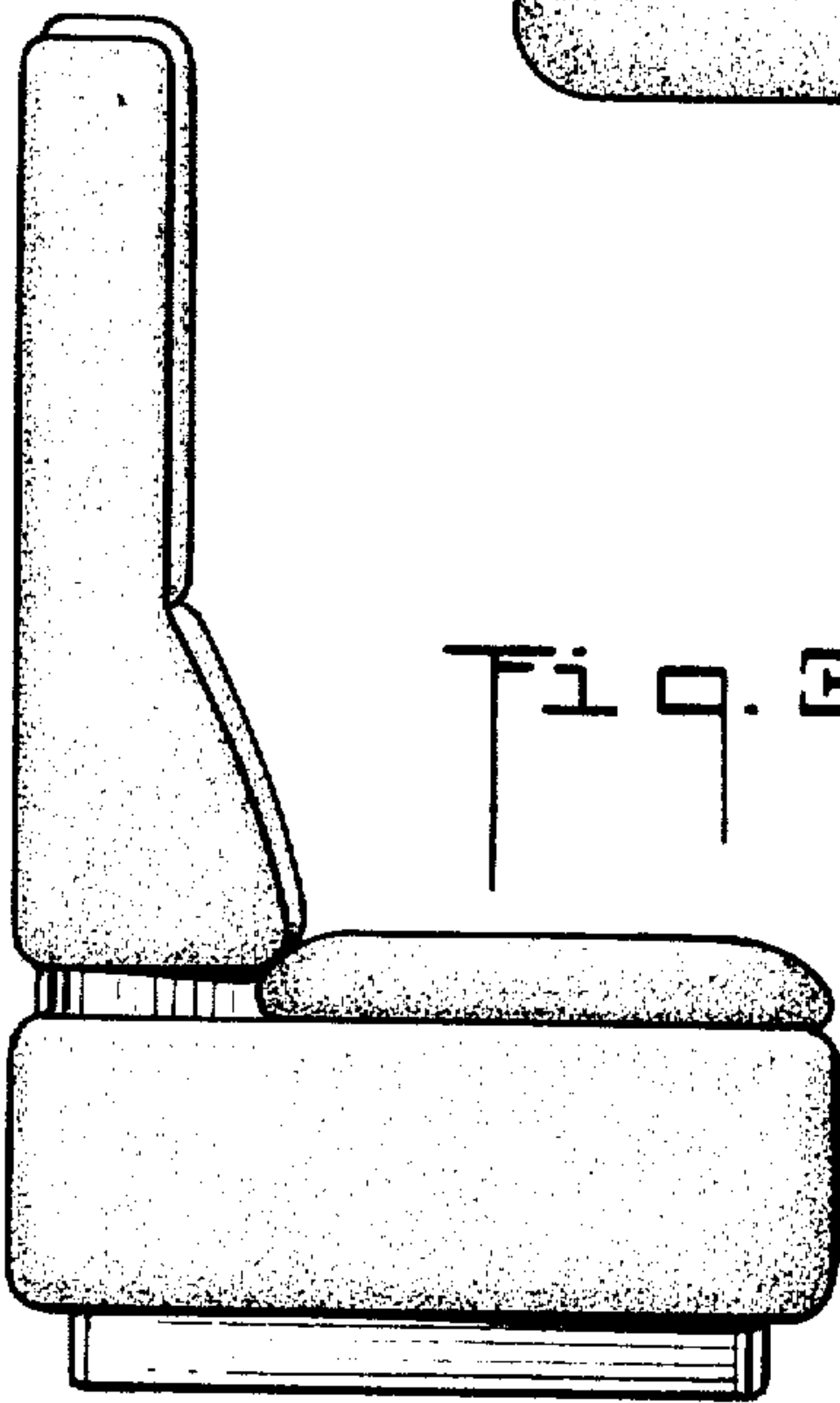


Fig. 4.

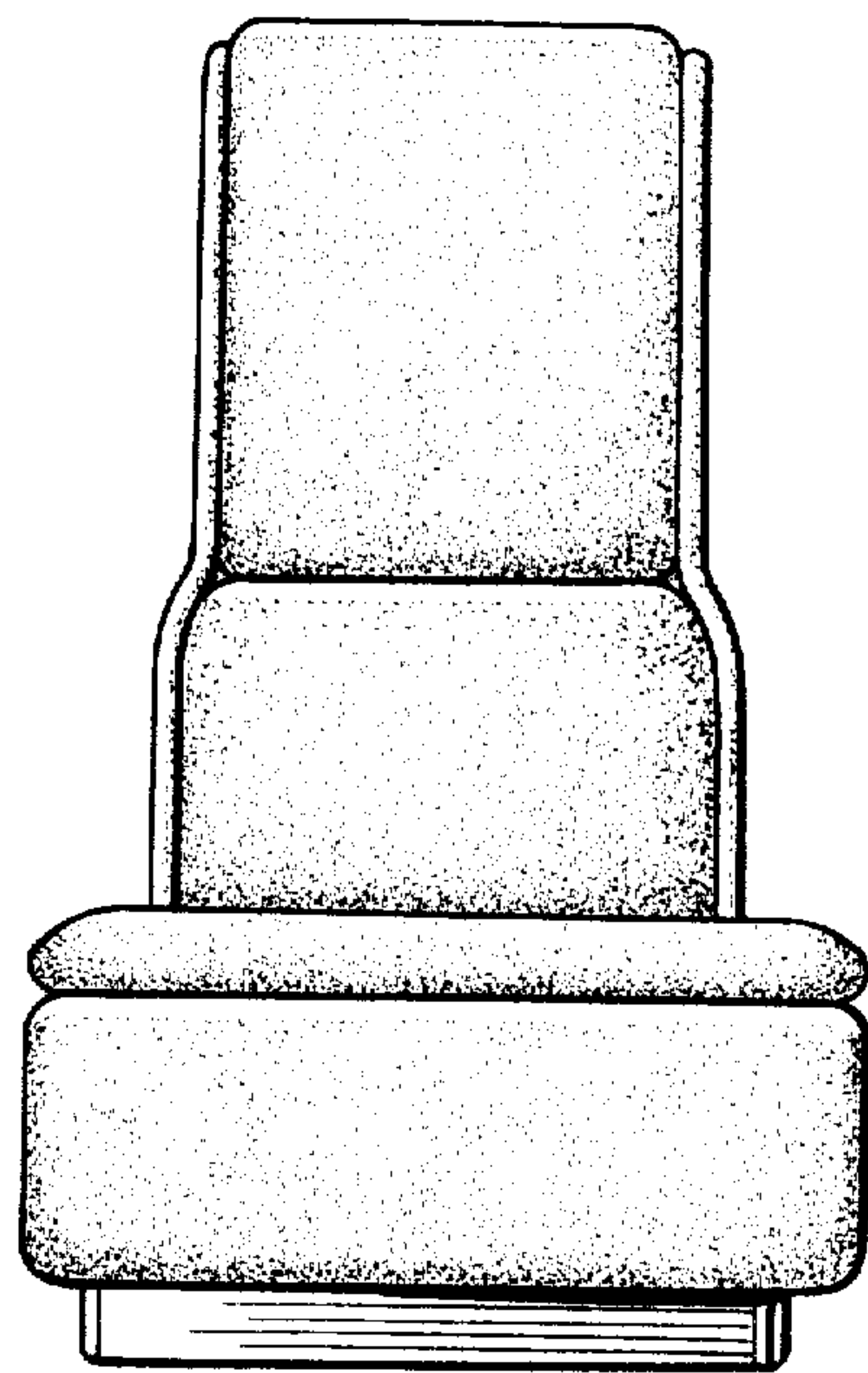


Fig. 5.