

[54] **CLEATED BOOT ATTACHMENT**

[76] Inventor: **Michael J. Carey**, 4045 Third Ave.,
San Diego, Calif. 92103

[**] Term: **14 Years**

[21] Appl. No.: **80,290**

[22] Filed: **Oct. 1, 1979**

[51] Int. Cl. **D2-04**

[52] U.S. Cl. **D2/317; D2/314**

[58] Field of Search **D2/317, 264, 271, 277,
D2/309, 311, 314, 319; 36/7.6, 59 C, 114, 115,
113, 116, 128, 132, 134, 136, 7.1, 7.7, 7.3, 7.4,
11.5, 4, 59 R**

3,121,287 2/1964 Patterson D2/314 X
3,283,423 11/1966 Schovee D2/271 X
3,486,248 12/1969 Olson D2/271 X

FOREIGN PATENT DOCUMENTS

61708 4/1942 Denmark 36/7.6
79329 11/1918 Switzerland 36/7.6

Primary Examiner—Nelson C. Holtje
Attorney, Agent, or Firm—John L. Haller

[57] **CLAIM**

The ornamental design for a cleated boot attachment, as shown and described.

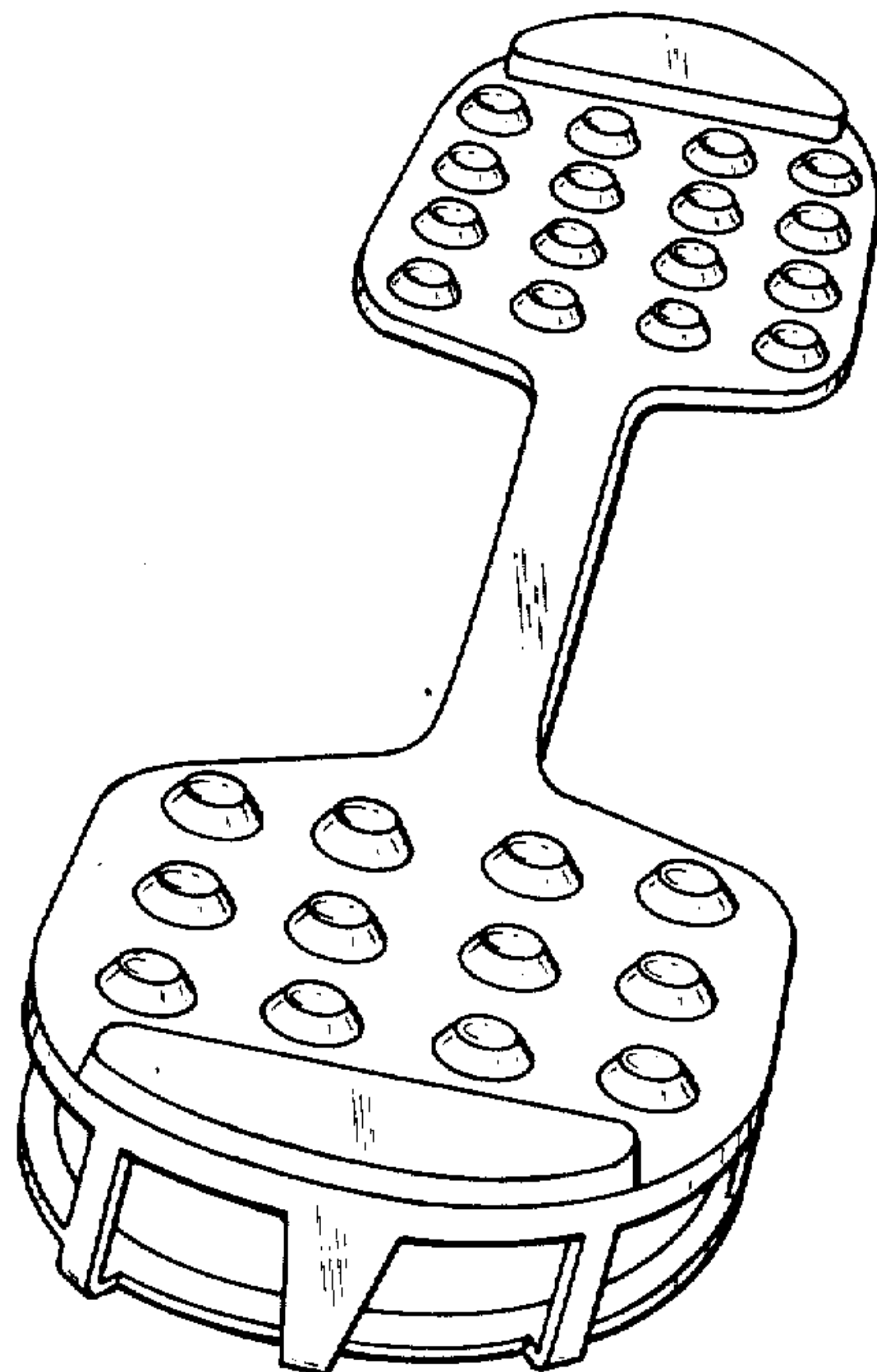
DESCRIPTION

FIG. 1 is a top front perspective view of a boot appli-
ance showing my new design;
FIG. 2 is a bottom front perspective view thereof;
FIG. 3 is a top plan view thereof;
FIG. 4 is a bottom plan view thereof.

[56] **References Cited**

U.S. PATENT DOCUMENTS

442,003 12/1890 Armstrong 36/7.6
3,076,273 2/1963 Wyllie D2/317 X



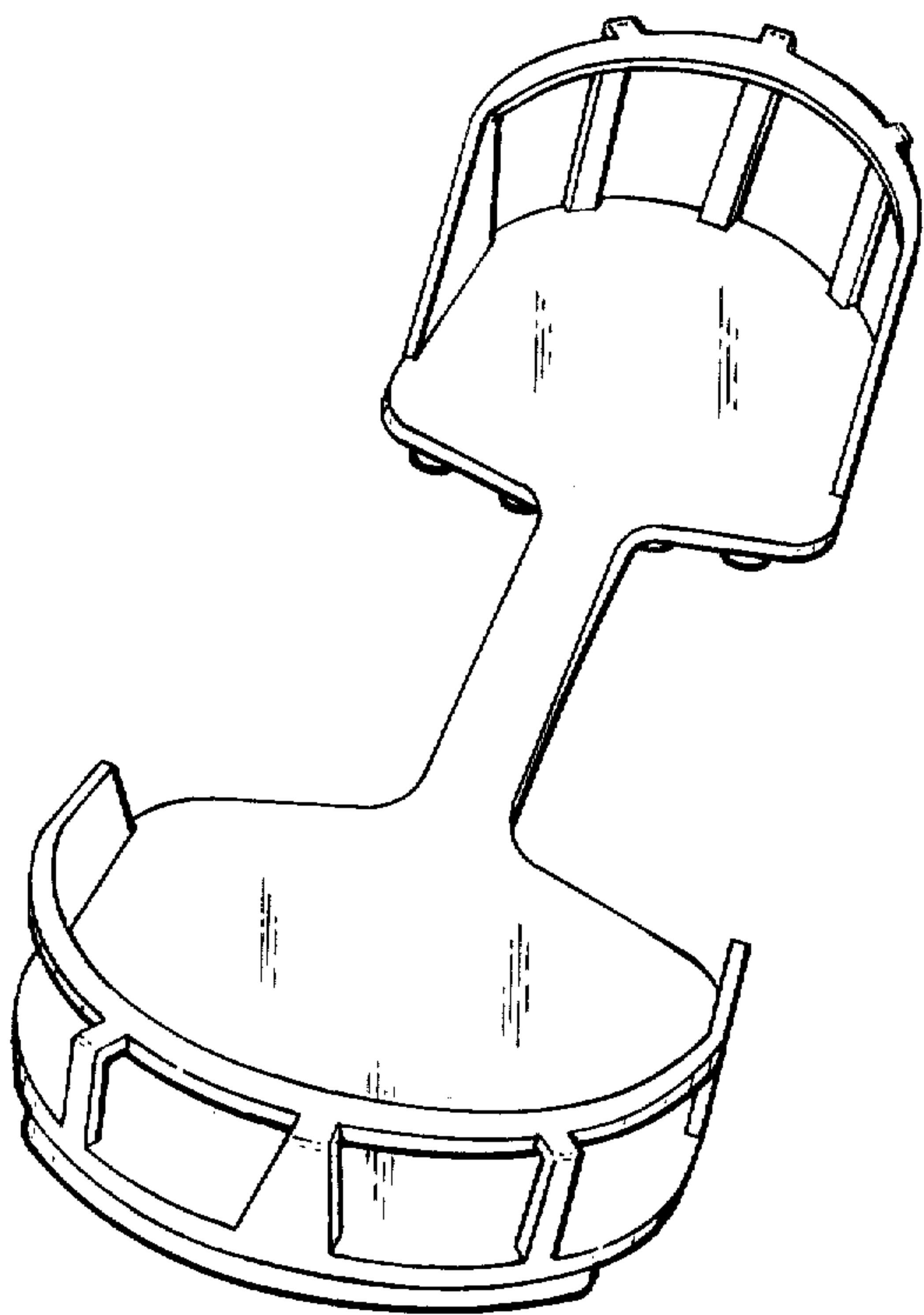


FIG. 1

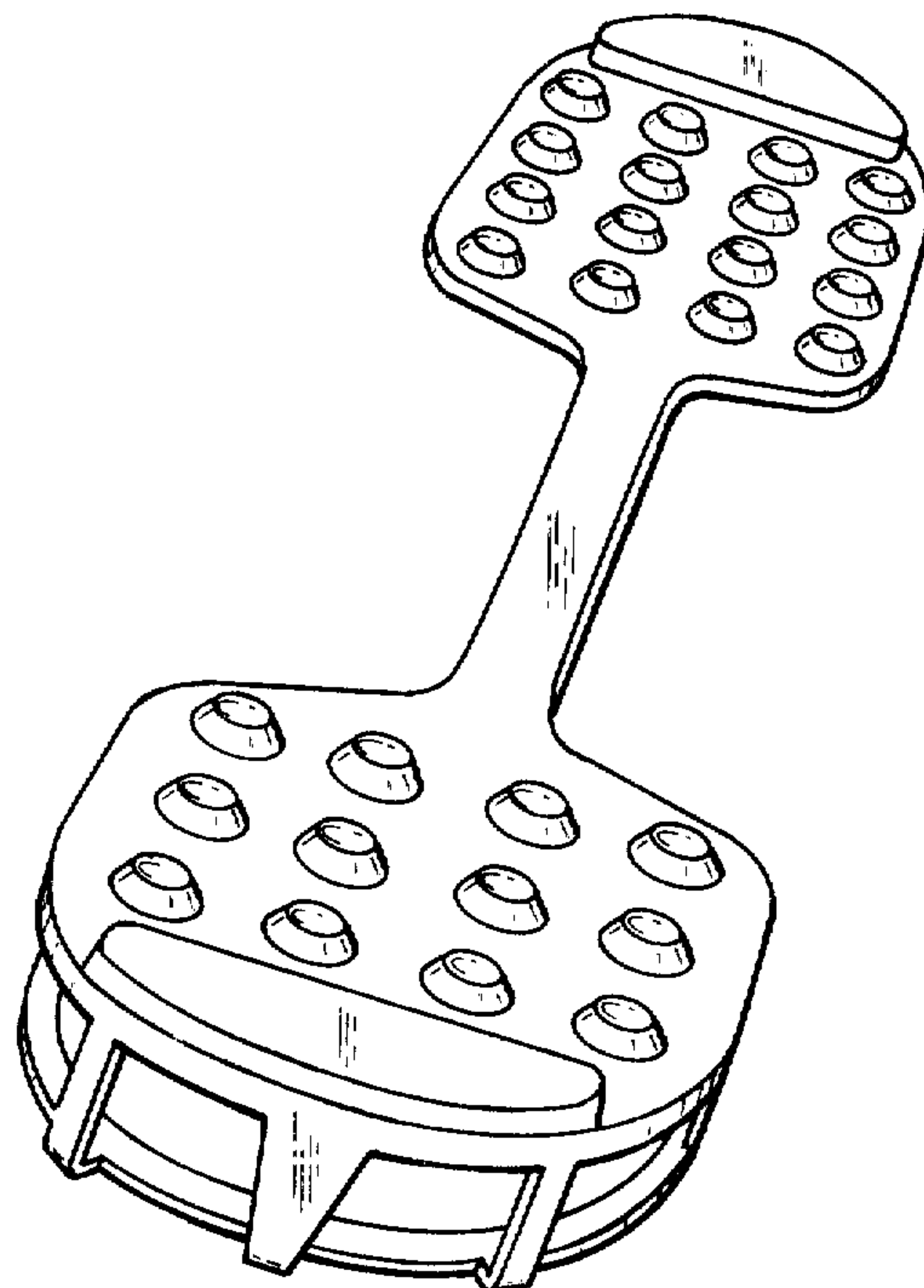


FIG. 2

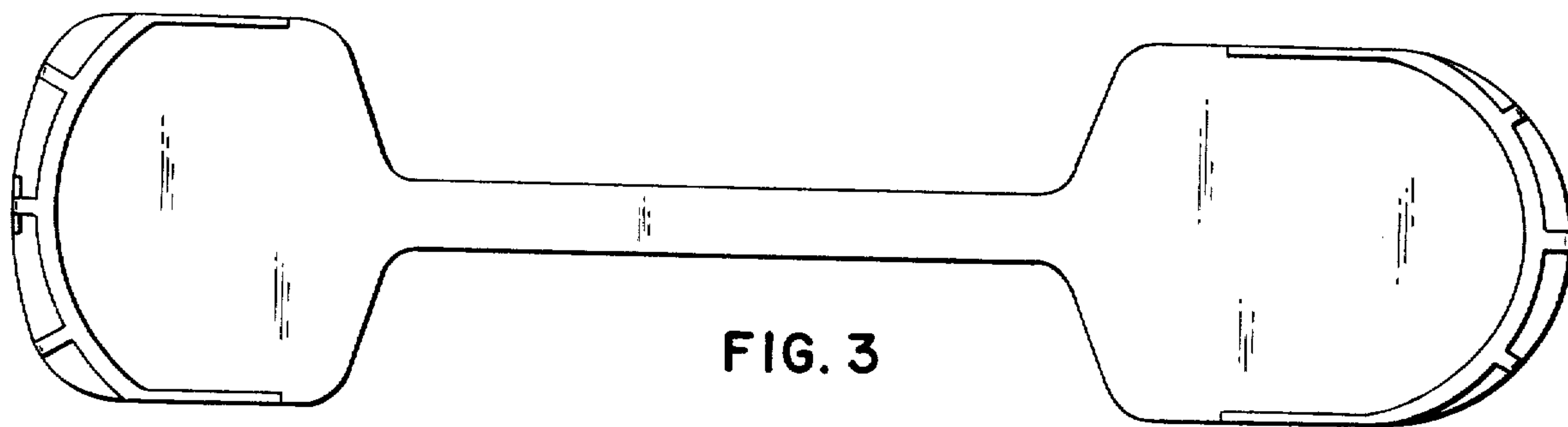


FIG. 3

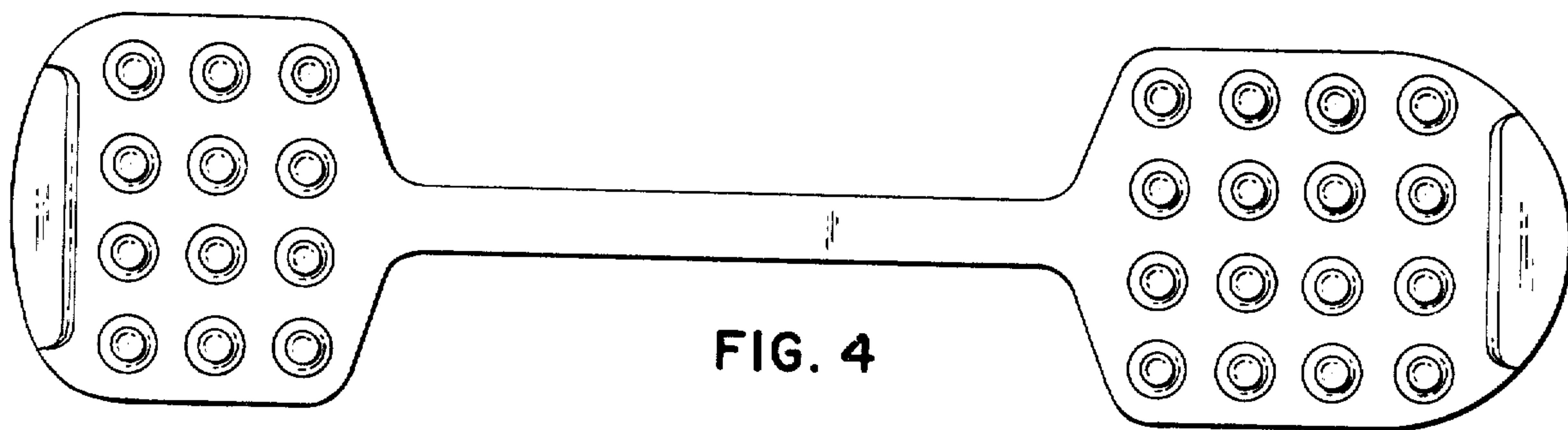


FIG. 4