

[54] DENTAL BURR HOLDER

3,092,443 6/1963 Dietz ..... 206/369  
4,253,830 3/1981 Kazen et al. .... 433/77

[76] Inventor: Don D. Porteous, 2794 Moraga Dr.,  
Los Angeles, Calif. 90024

Primary Examiner—Veronica O’Keefe  
Attorney, Agent, or Firm—Donald Diamond

[\*\*] Term: 14 Years

[21] Appl. No.: 85,160

[57] CLAIM

[22] Filed: Oct. 15, 1979

The ornamental design for a dental burr holder, sub-  
stantially as shown.

[51] Int. Cl. .... D24—99

DESCRIPTION

[52] U.S. Cl. .... D24/31; D24/10;  
433/77; 206/368; 206/369

FIG. 1 is a perspective view taken from the top, front  
and left side of a dental burr holder showing my new  
design;

[58] Field of Search ..... D24/31, 10; 206/368,  
206/369; 433/77

FIG. 2 is a top plan view thereof;

[56] References Cited

FIG. 3 is a left side elevational view thereof, the right  
side being substantially a mirror image thereto;

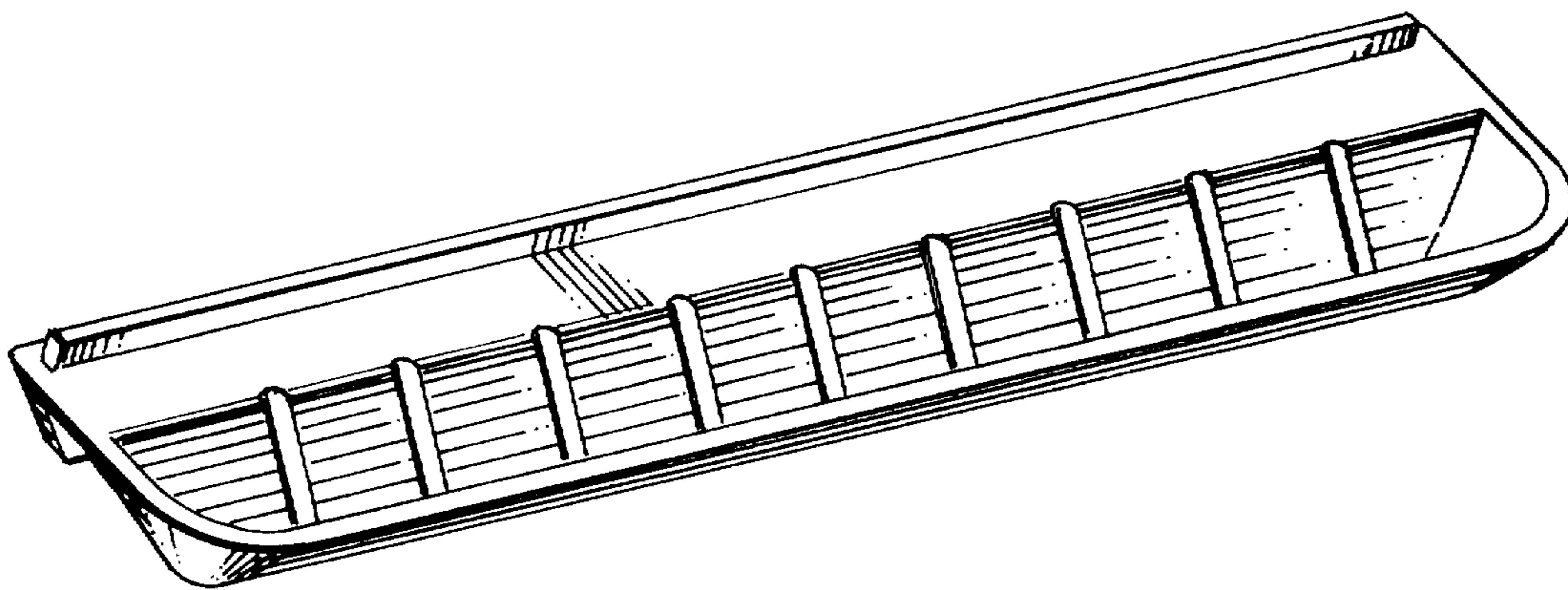
U.S. PATENT DOCUMENTS

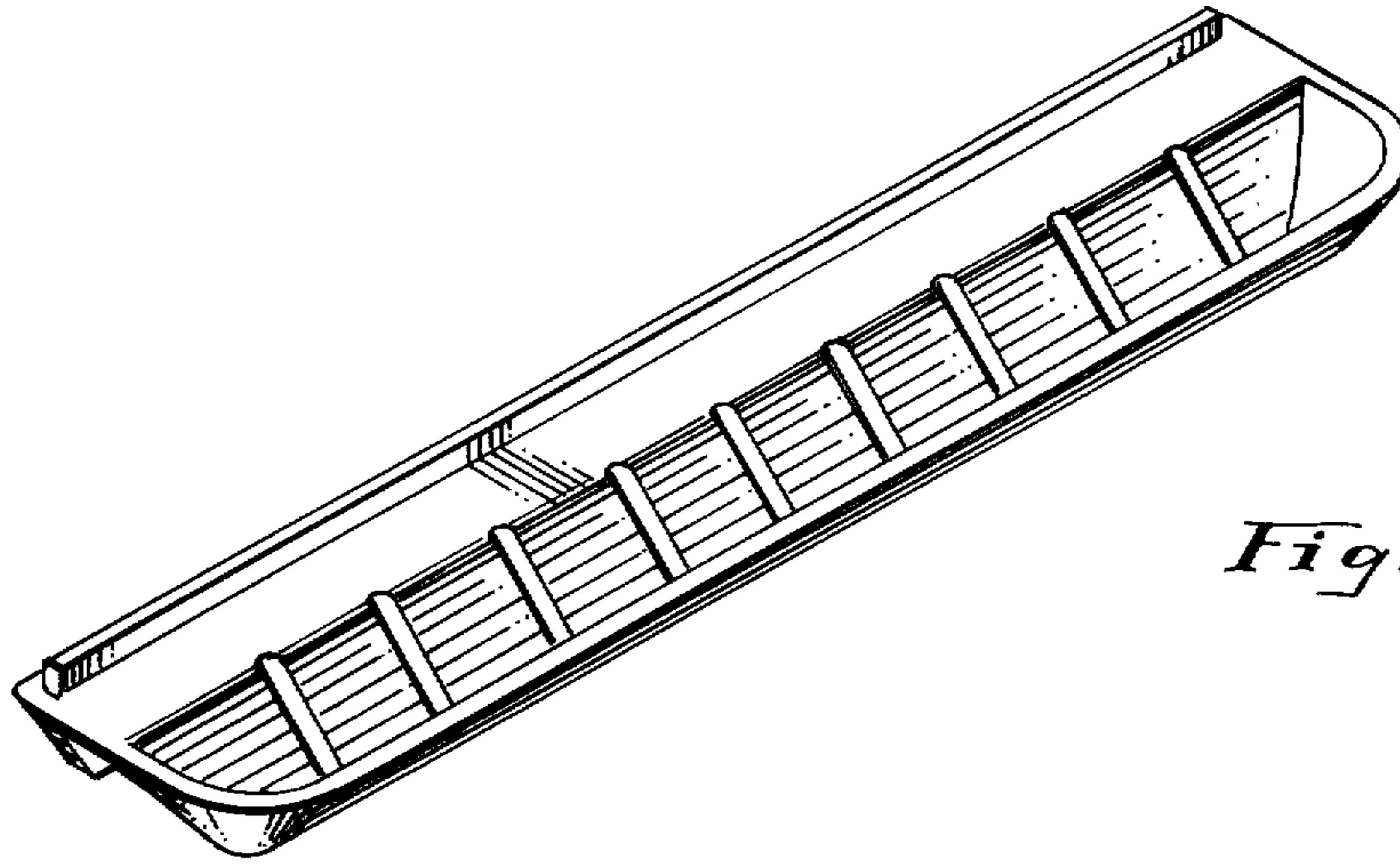
FIG. 4 is a front elevational view thereof;

1,973,222 9/1934 Moore ..... 206/369

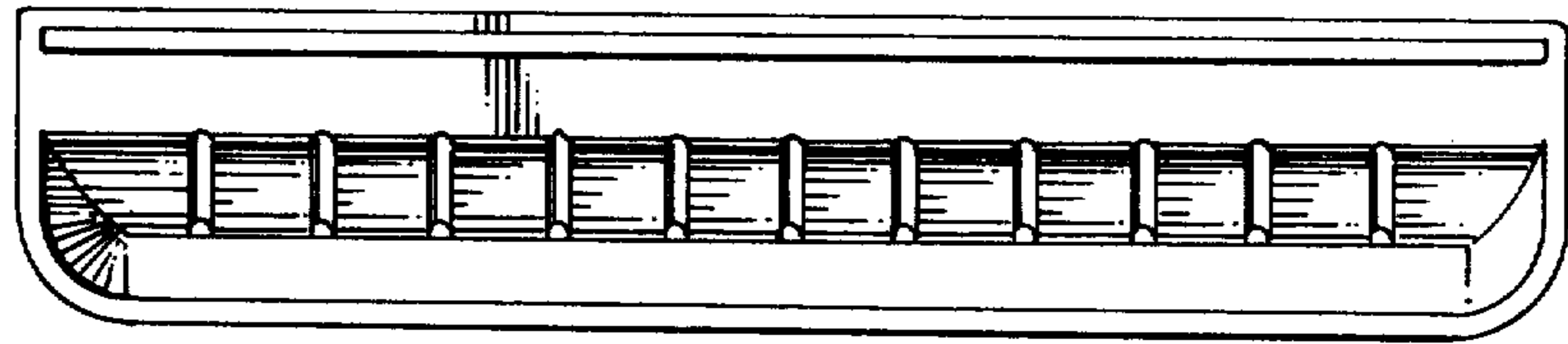
FIG. 5 is a rear elevational view thereof; and

FIG. 6 is a bottom plan view thereof.

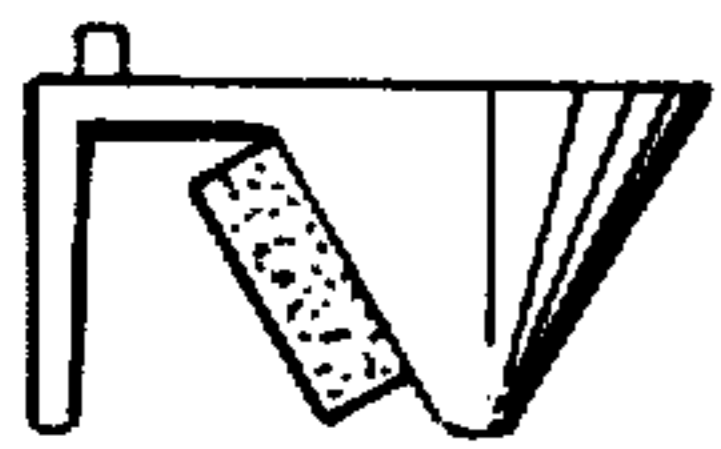




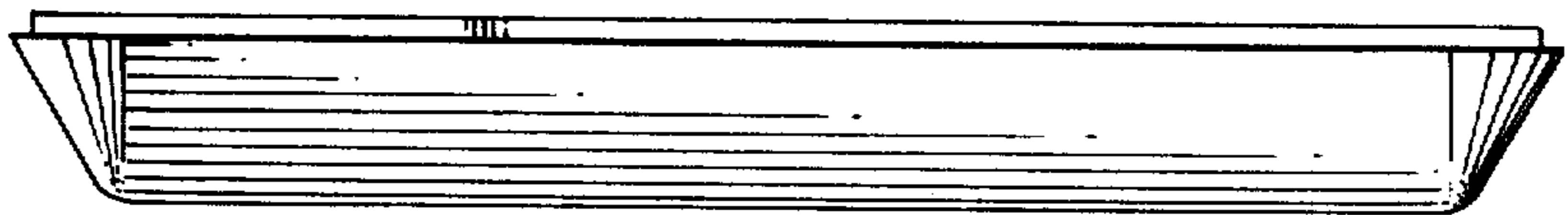
*Fig. 1*



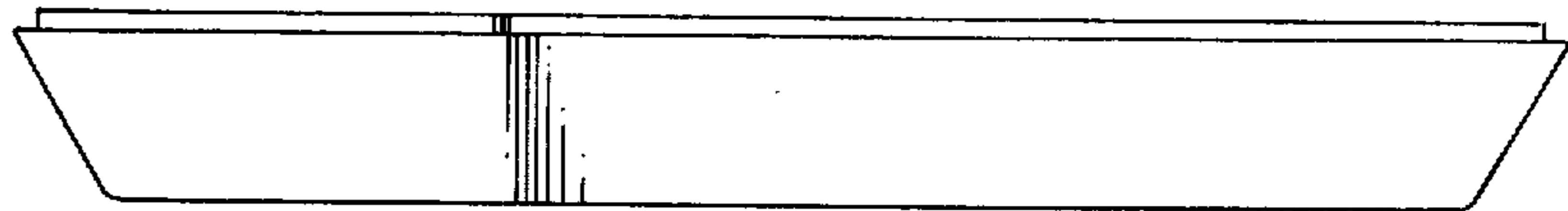
*Fig. 2*



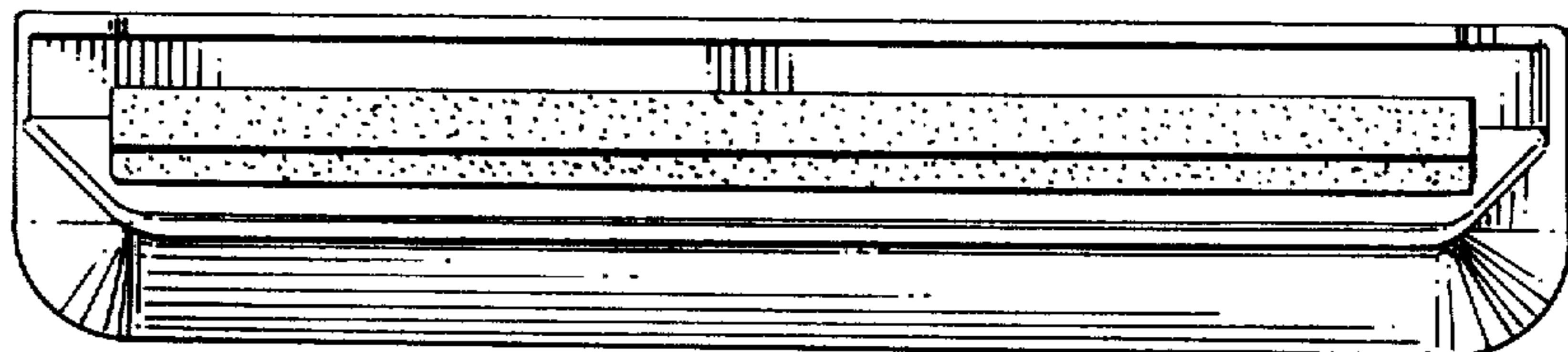
*Fig. 3*



*Fig. 4*



*Fig. 5*



*Fig. 6*