

[54] **BATHTUB**

[76] **Inventor:** James M. Sprague, 711 W. 17th, F-6,
 Costa Mesa, Calif. 92627

[**] **Term:** 14 Years

[21] **Appl. No.:** 61,706

[22] **Filed:** Jul. 30, 1979

[51] **Int. Cl.** D23-02

[52] **U.S. Cl.** D23/55

[58] **Field of Search** D23/48, 55, 56; 4/488,
 4/489, 538, 539, 571, 574, 576, 584, 592, 593,
 594; D24/38

[56] **References Cited**

U.S. PATENT DOCUMENTS

D. 90,640	9/1933	Yent	D23/55
106,445	8/1870	Young	4/578
D. 237,182	10/1975	Rosenhaus	D23/55
D. 241,441	9/1976	Rosenhaus	D23/55
D. 255,267	6/1980	Sinaiko	D24/38
D. 258,610	3/1981	Tulipani	D24/38

424,730	4/1890	Schoonmaker	4/578 X
766,702	8/1904	Knight	4/594
962,240	6/1910	Neil	D23/55 X
1,116,015	11/1914	Clifford	D23/55 X
2,490,982	12/1949	Rodman	D23/55 X
4,227,621	10/1980	Jones	4/538 X

OTHER PUBLICATIONS

House & Home, Jun. 1966, p. 128, top left item.

Primary Examiner—James R. Largen

Attorney, Agent, or Firm—Grover A. Frater

[57] **CLAIM**

The ornamental design for a bathtub, as shown and described.

DESCRIPTION

FIG. 1 is a top plan view of a bathtub showing my new design;
 FIG. 2 is a view in front elevation thereof;
 FIG. 3 is a bottom plan view thereof;
 FIG. 4 is a rear view thereof;
 FIG. 5 is a side view thereof, the opposite side being identical thereto.

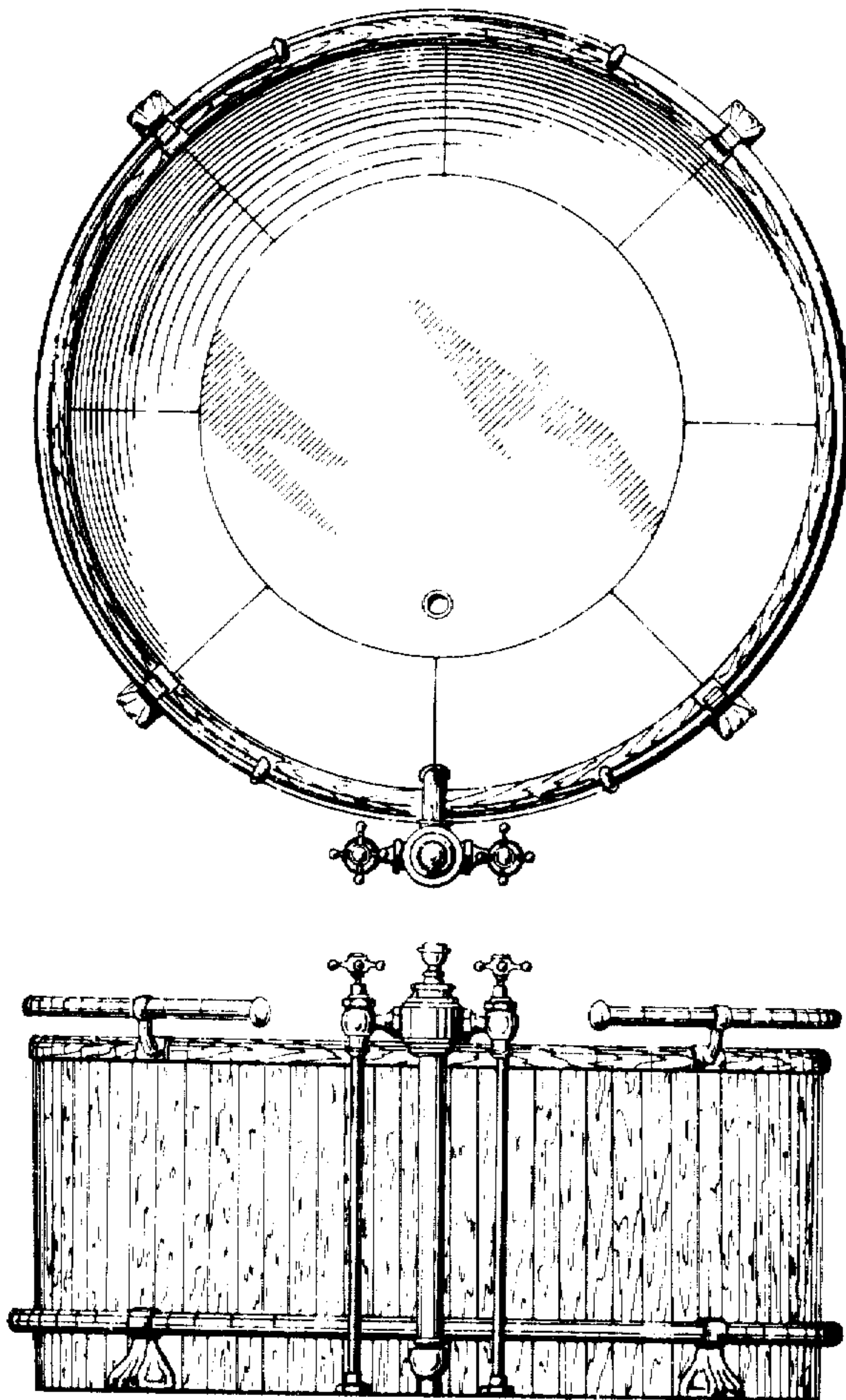


FIG. 1

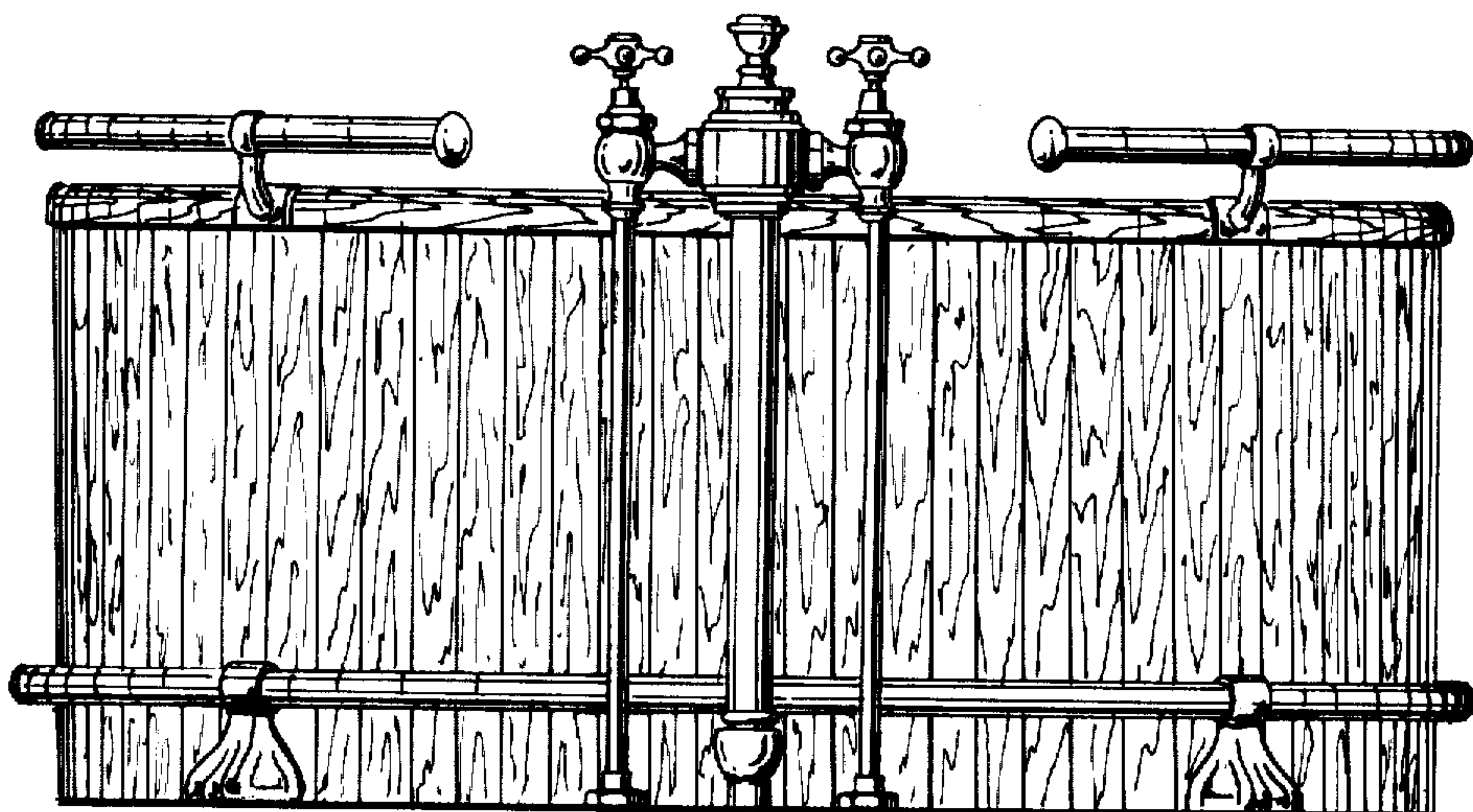
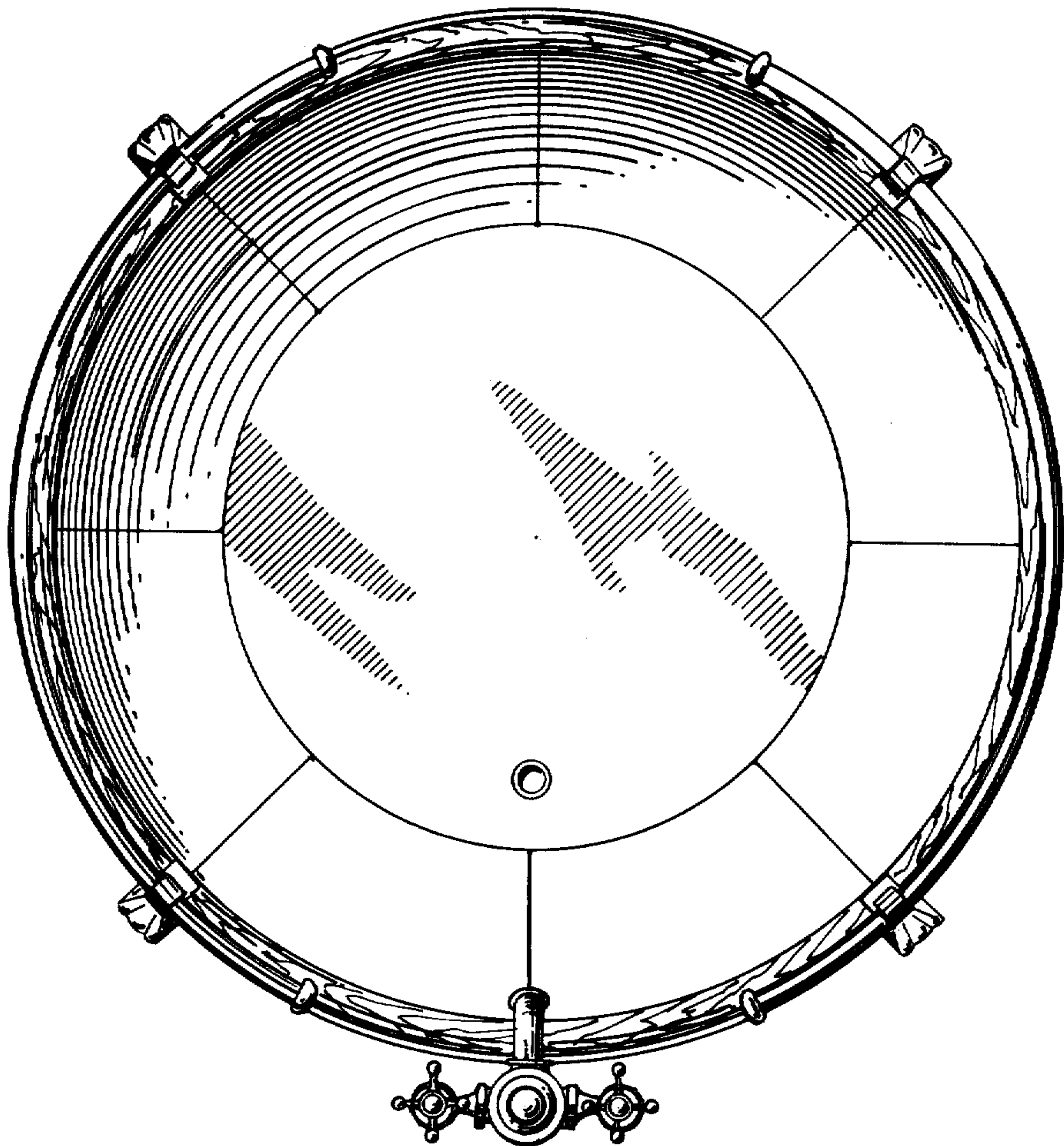


FIG. 2

FIG. 3

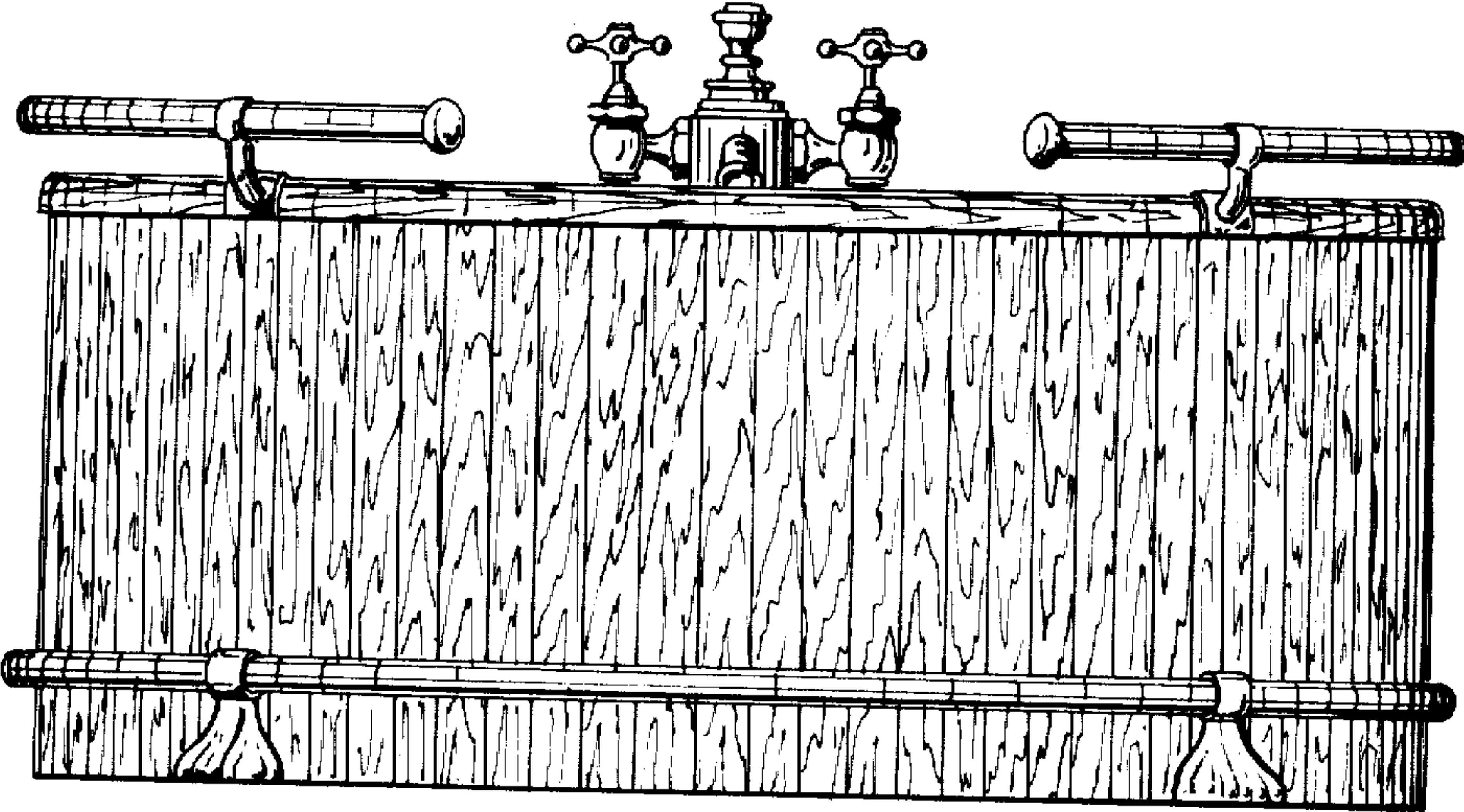
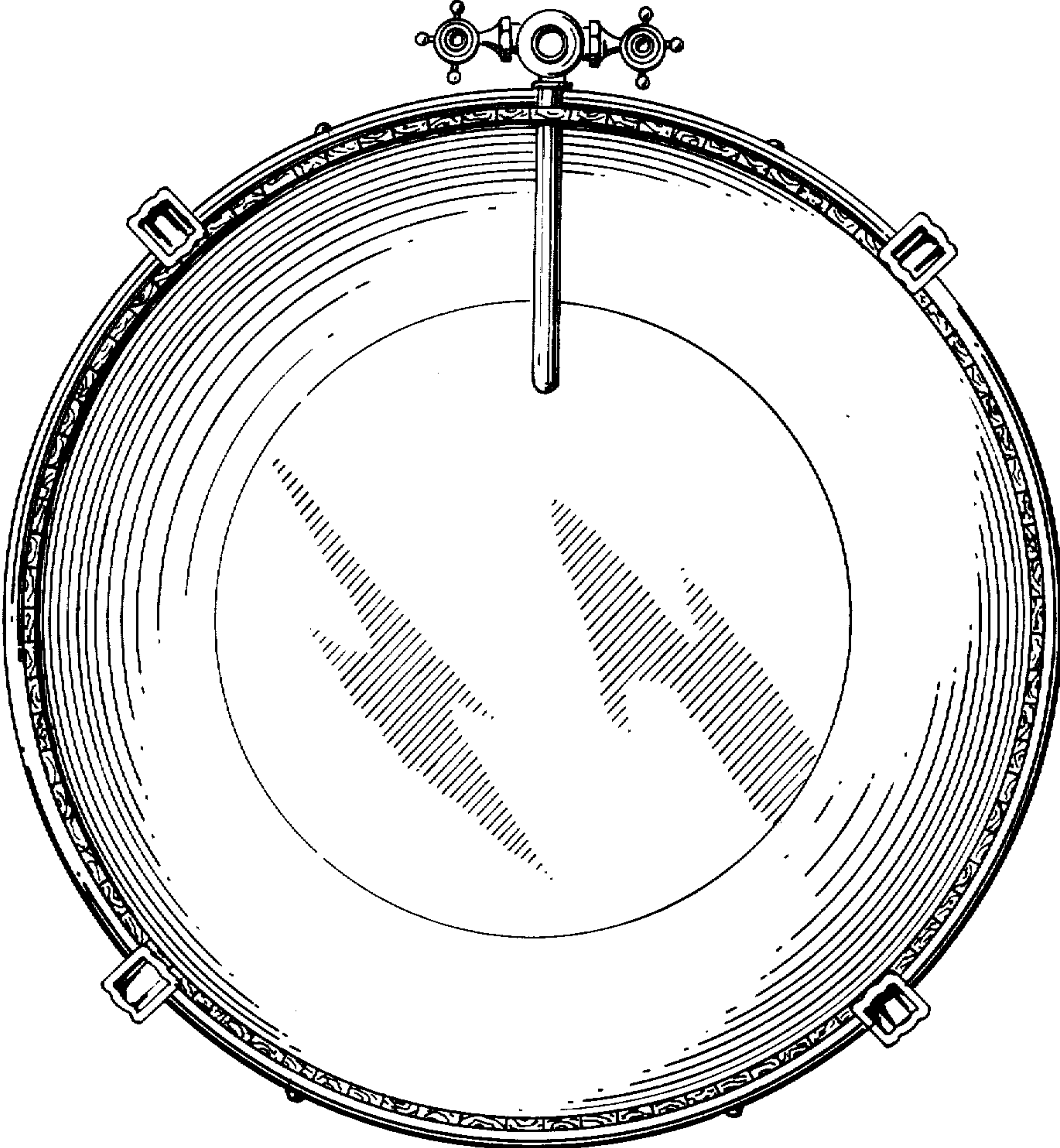


FIG. 4

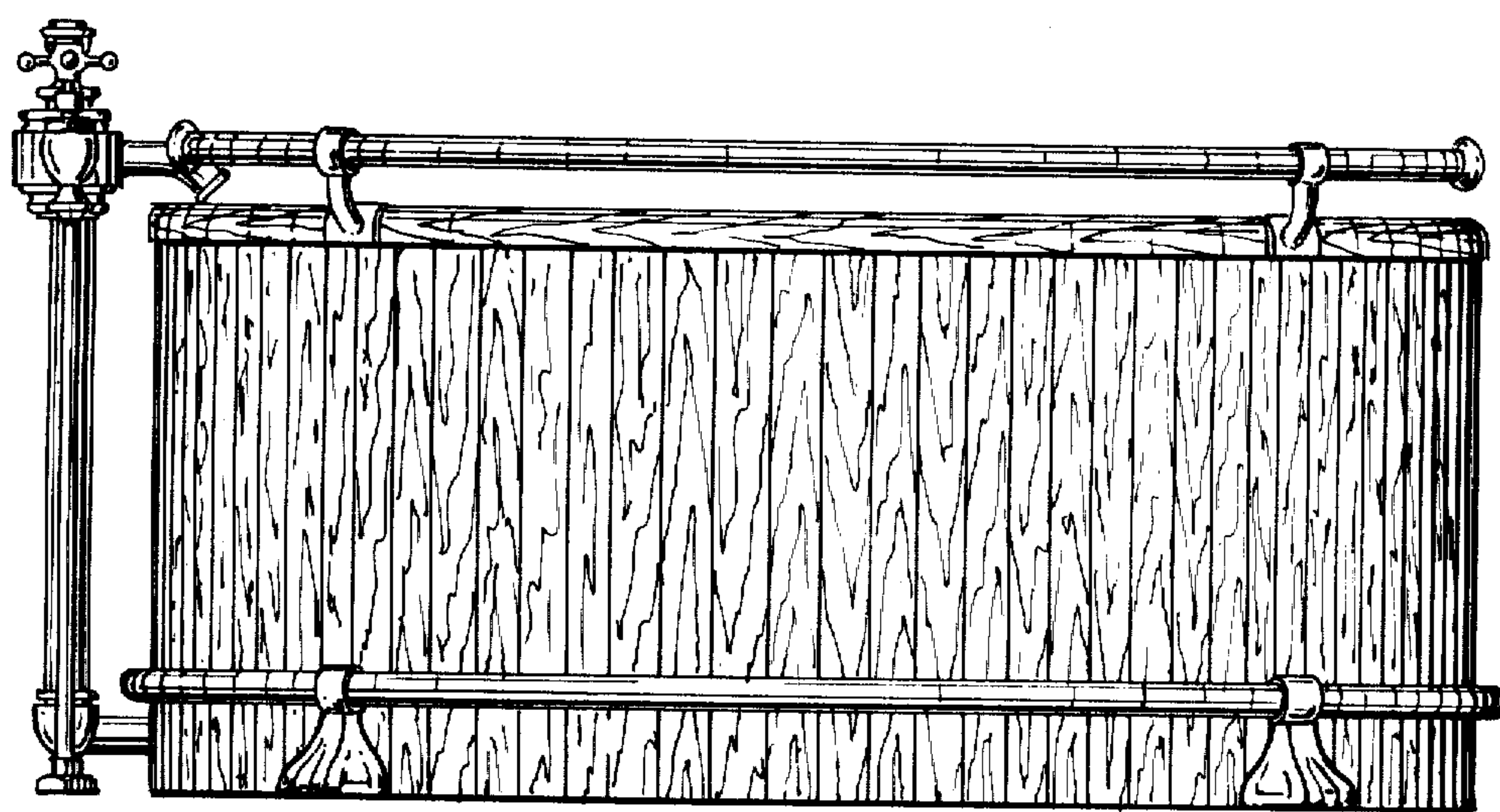


FIG. 5