

[54] FIREPLACE INSERT STOVE

[75] Inventors: Svend Mariager; Grace Mariager, both of Sidney, Canada

[73] Assignee: Findlay Products Division of Rexcorp Management Ltd., Kitchener, Canada

[**] Term: 14 Years

[21] Appl. No.: 75,207

[22] Filed: Sep. 13, 1979

[51] Int. Cl. D23-03

[52] U.S. Cl. D23/95

[58] Field of Search D23/72, 92-97, D23/127, 128; 126/4, 6, 120, 121, 123, 135, 136, 138

[56] References Cited

U.S. PATENT DOCUMENTS

D. 255,830	7/1980	Hansen	D23/95
2,743,720	5/1956	Dollinger	126/6 X
4,008,707	2/1977	Bartlett	126/121 X
4,050,440	9/1977	Lessin	126/120

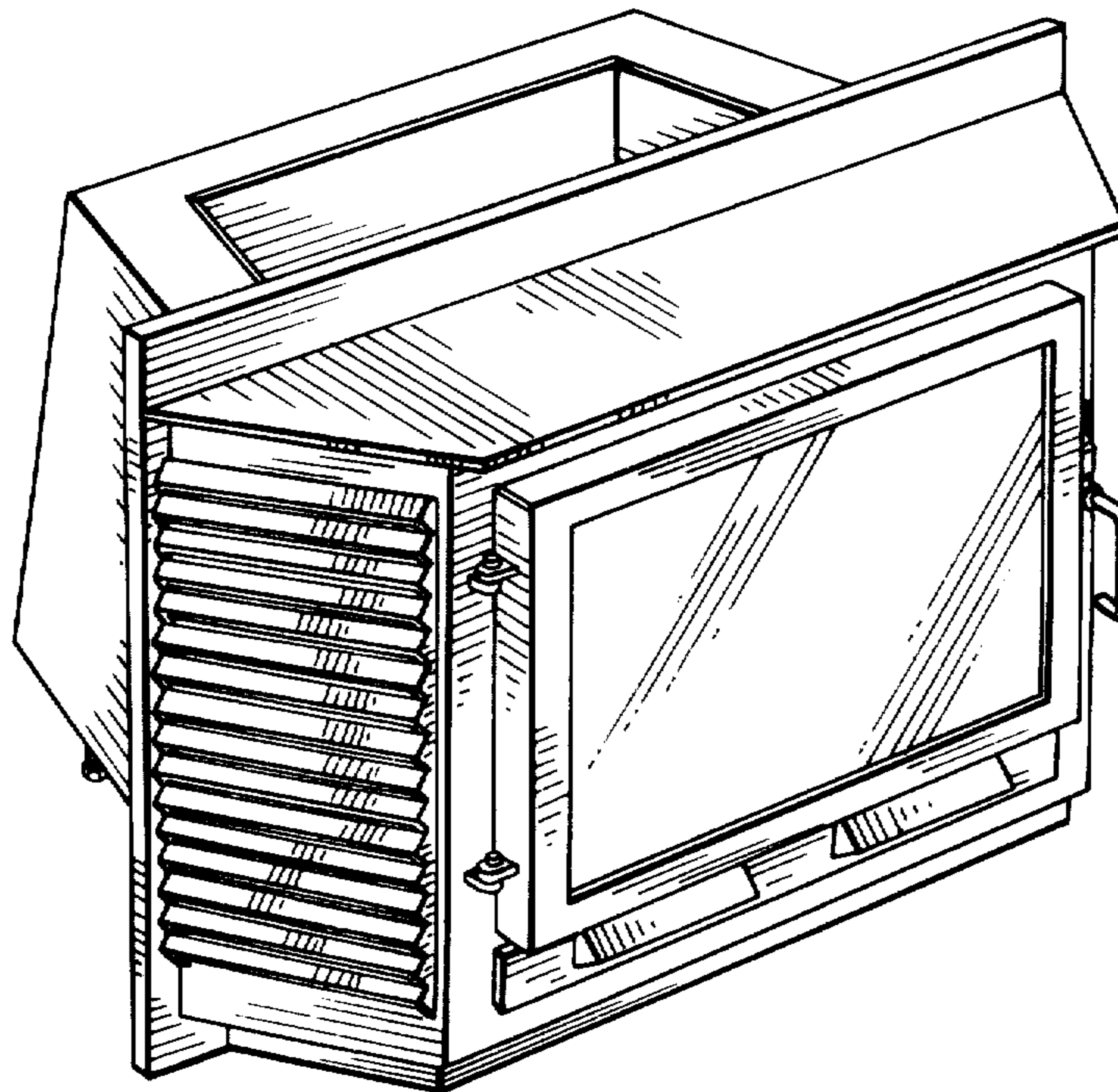
Primary Examiner—Catherine E. Kemper
Attorney, Agent, or Firm—Ridout & Maybee

[57] CLAIM

The ornamental design for a fireplace insert stove, as shown.

DESCRIPTION

FIG. 1 is a front perspective view of a fireplace insert stove, showing my new design;
FIG. 2 is a rear perspective view thereof;
FIG. 3 is a side elevational view thereof.



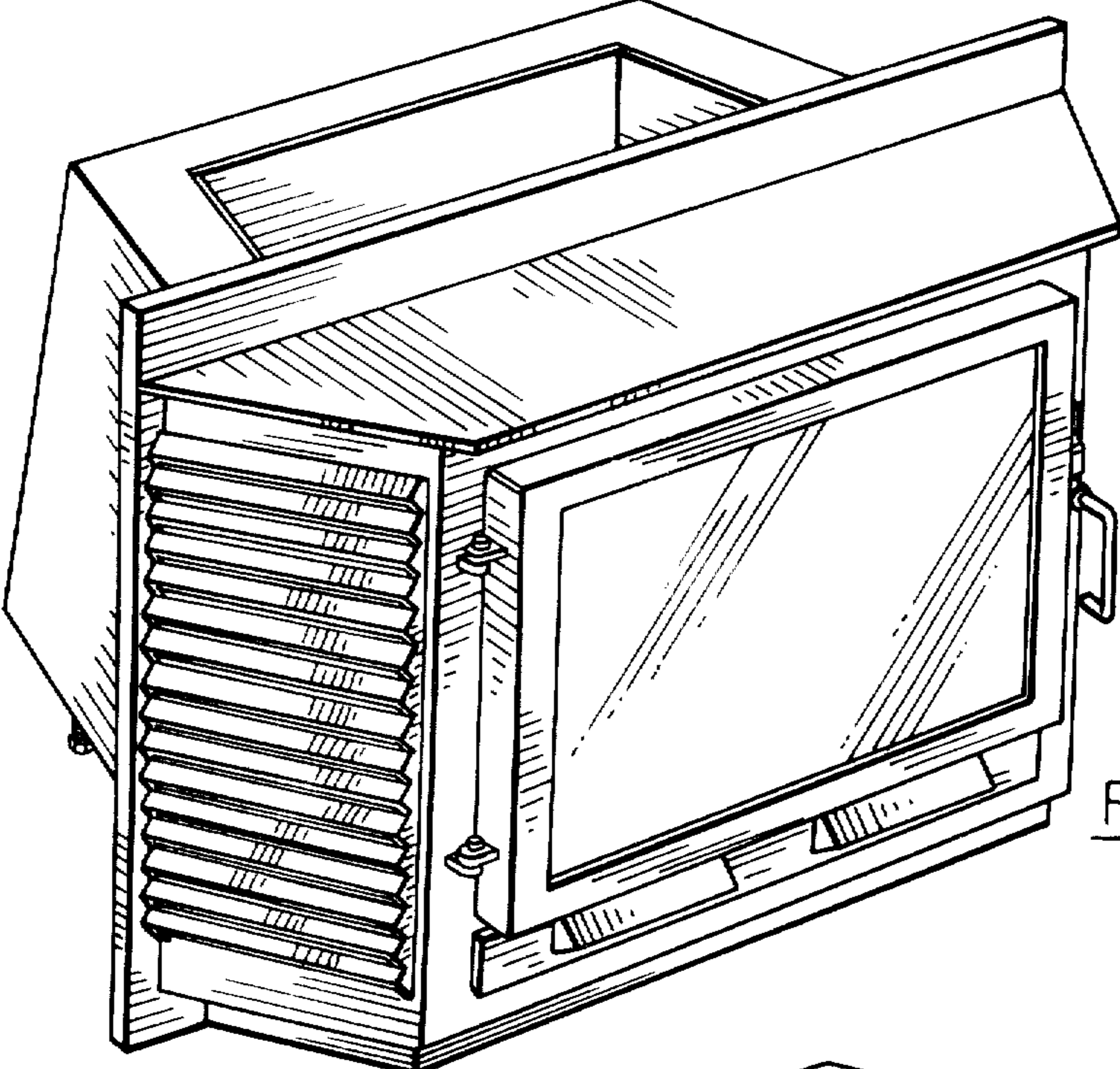


FIG. 1

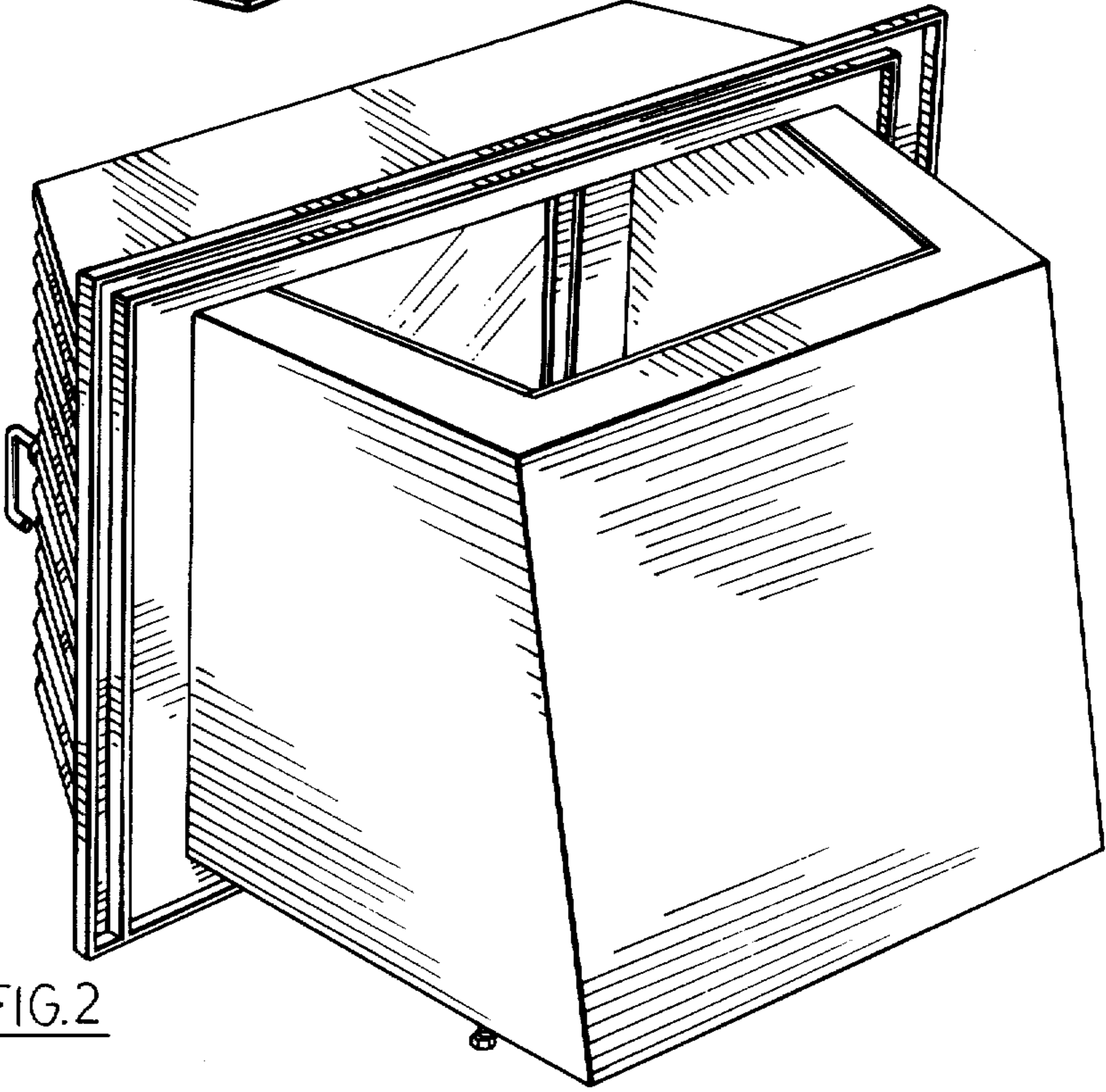


FIG. 2

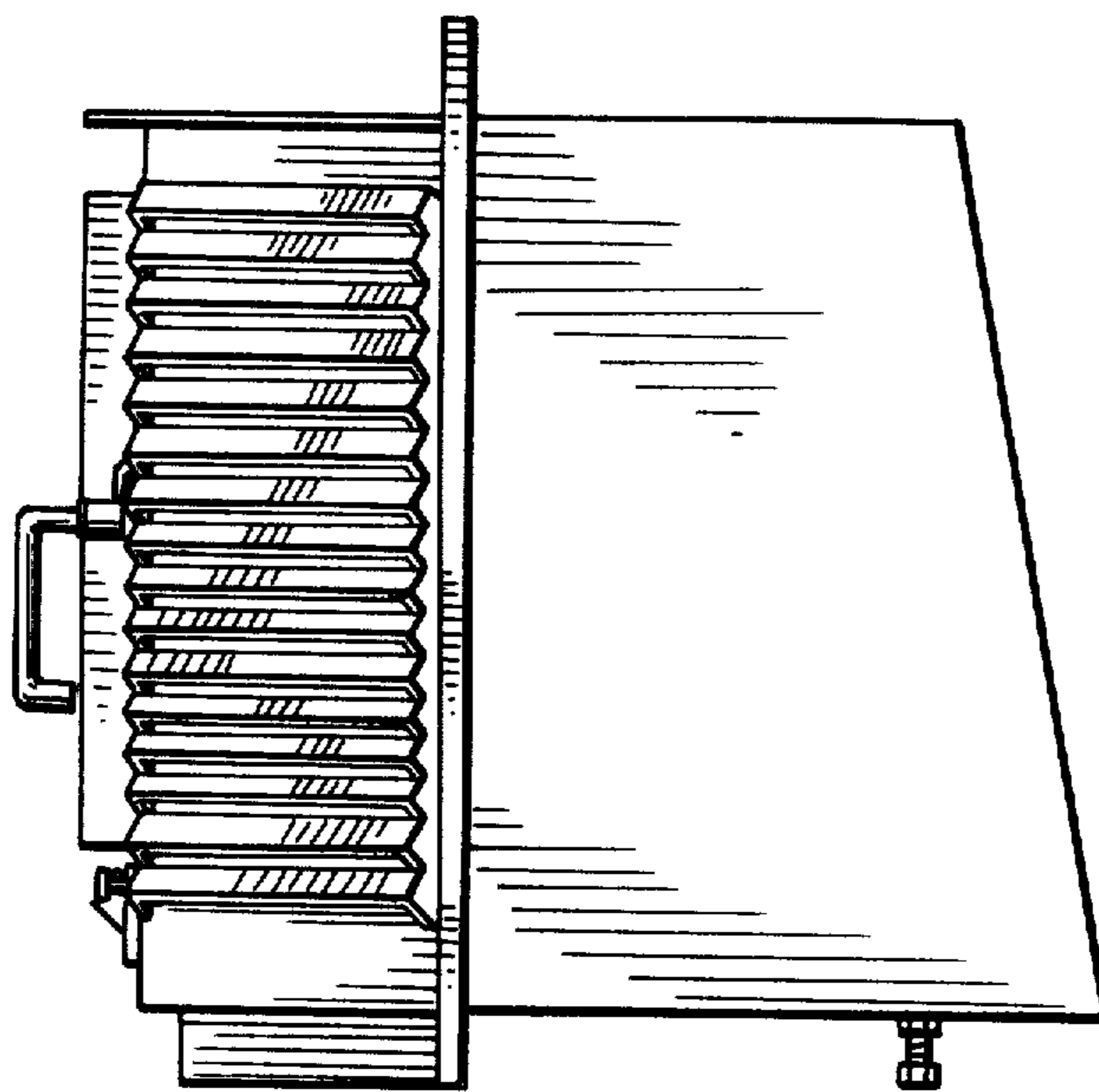


FIG. 3