

[54] **SIMULATIVE TRUNDLE TOY**

[76] Inventor: **Donald E. Welch**, 3102 Bayou, Deer Park, Tex. 77536

[**] Term: **14 Years**

[21] Appl. No.: **60,805**

[22] Filed: **Jul. 25, 1979**

[51] Int. Cl. **D21-01**

[52] U.S. Cl. **D21/150; D21/160**

[58] Field of Search **D21/64, 65, 148, 150, D21/154, 160; 46/115, 117, 119, 120, 123, 124; D11/44, 49**

[56] **References Cited**

U.S. PATENT DOCUMENTS

D. 75,871 7/1928 Reek D21/150

D. 116,230 8/1939 Gibson D21/160

D. 137,477 3/1944 Generale D21/154

D. 142,039 8/1945 Ruehle D21/154

D. 153,221 3/1949 Hunt D21/160

Primary Examiner—Charles A. Rademaker

Attorney, Agent, or Firm—Gunn, Lee & Jackson

[57] **CLAIM**

The ornamental design for a simulative trundle toy, as shown and described.

DESCRIPTION

FIG. 1 is a side elevational view of a simulative trundle toy showing my new design;

FIG. 2 is a top plan view thereof;

FIG. 3 is a bottom plan view thereof;

FIG. 4 is a front elevational view thereof; and

FIG. 5 is a rear elevational view thereof.

Portions of the push bar member have been omitted in FIGS. 1, 2, 4 and 5 for ease of illustration and as an indication of indeterminate length. The side of the trundle toy not shown is substantially the same as the side thereof which is shown in FIG. 1.

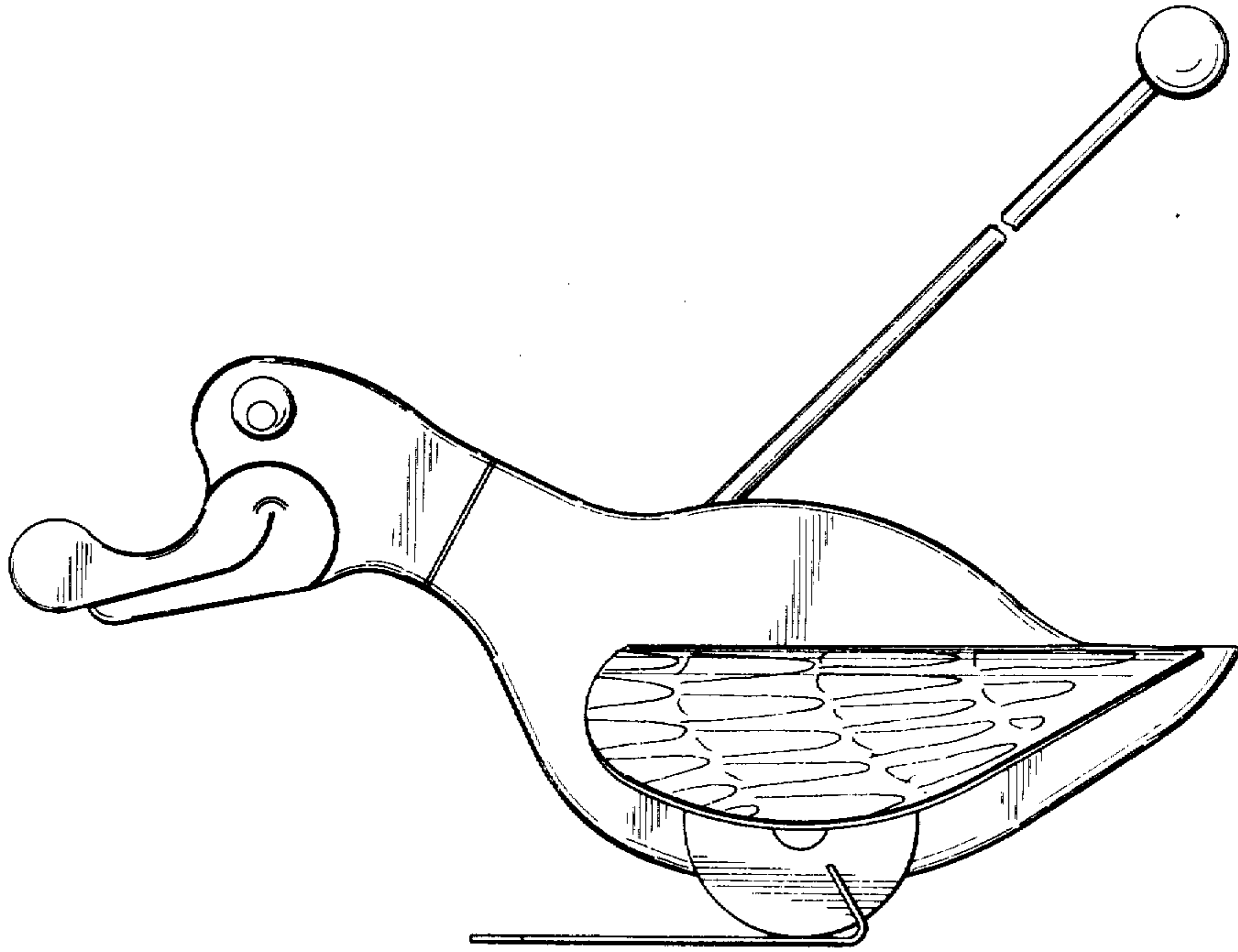


FIG. 1

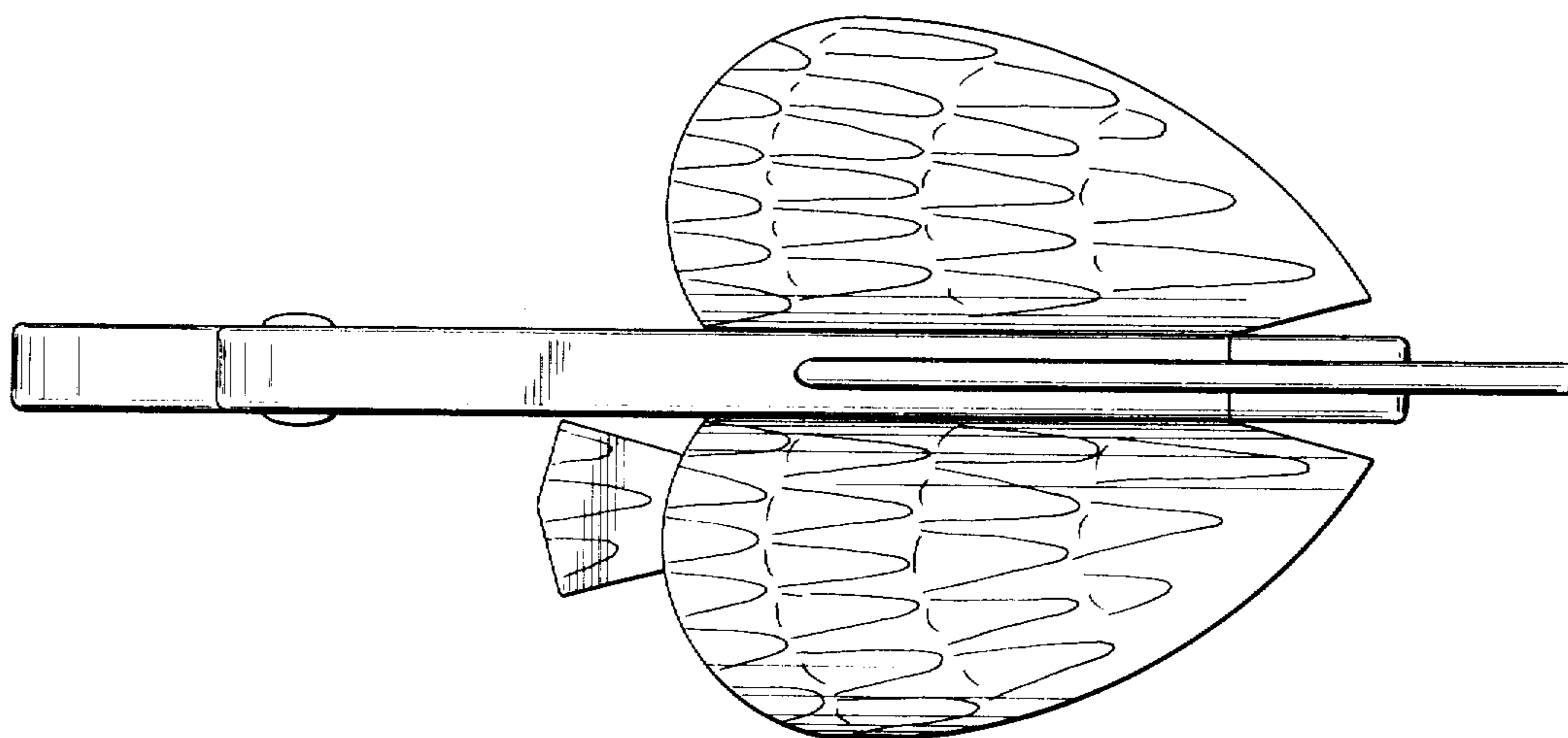
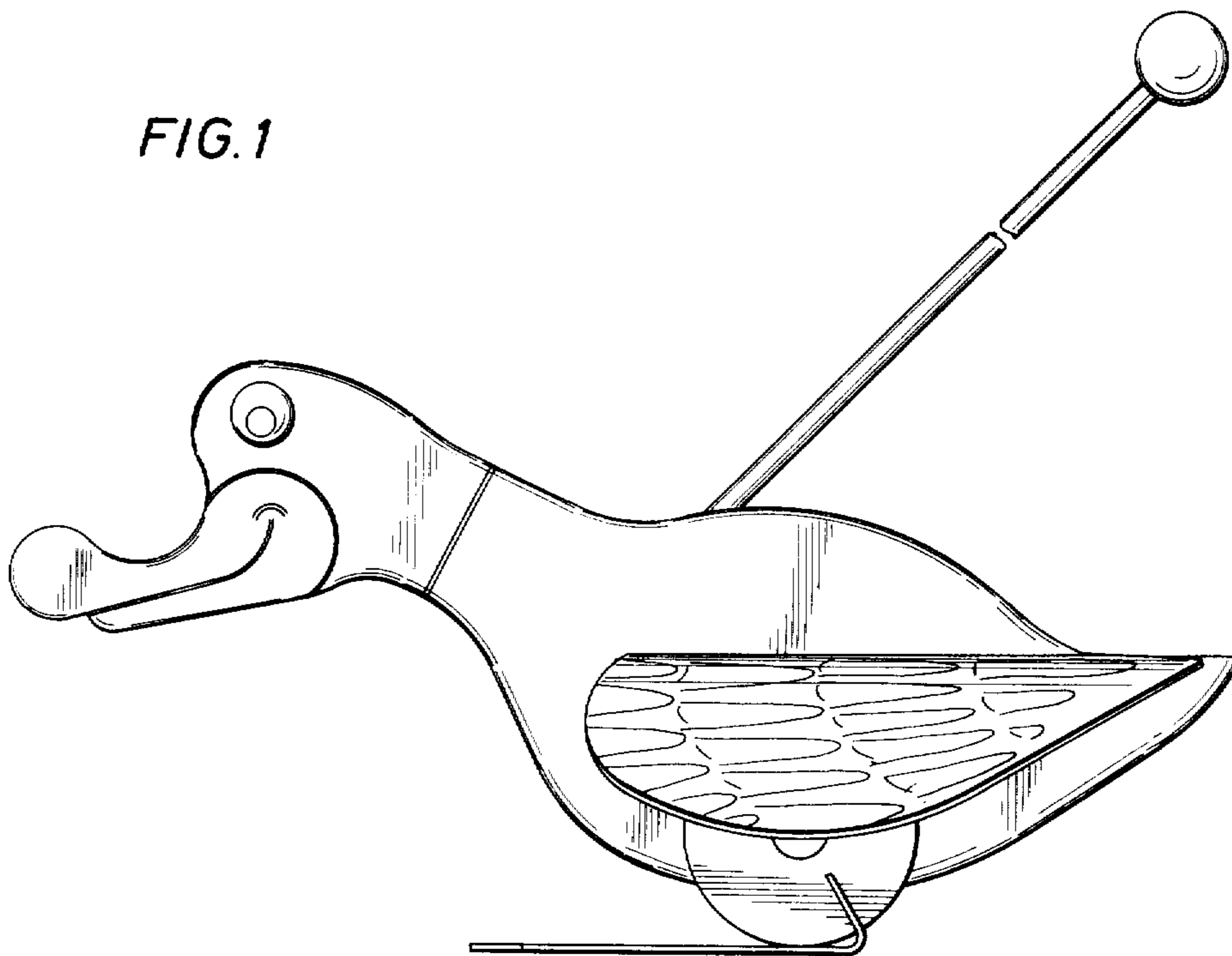


FIG. 2

FIG. 3

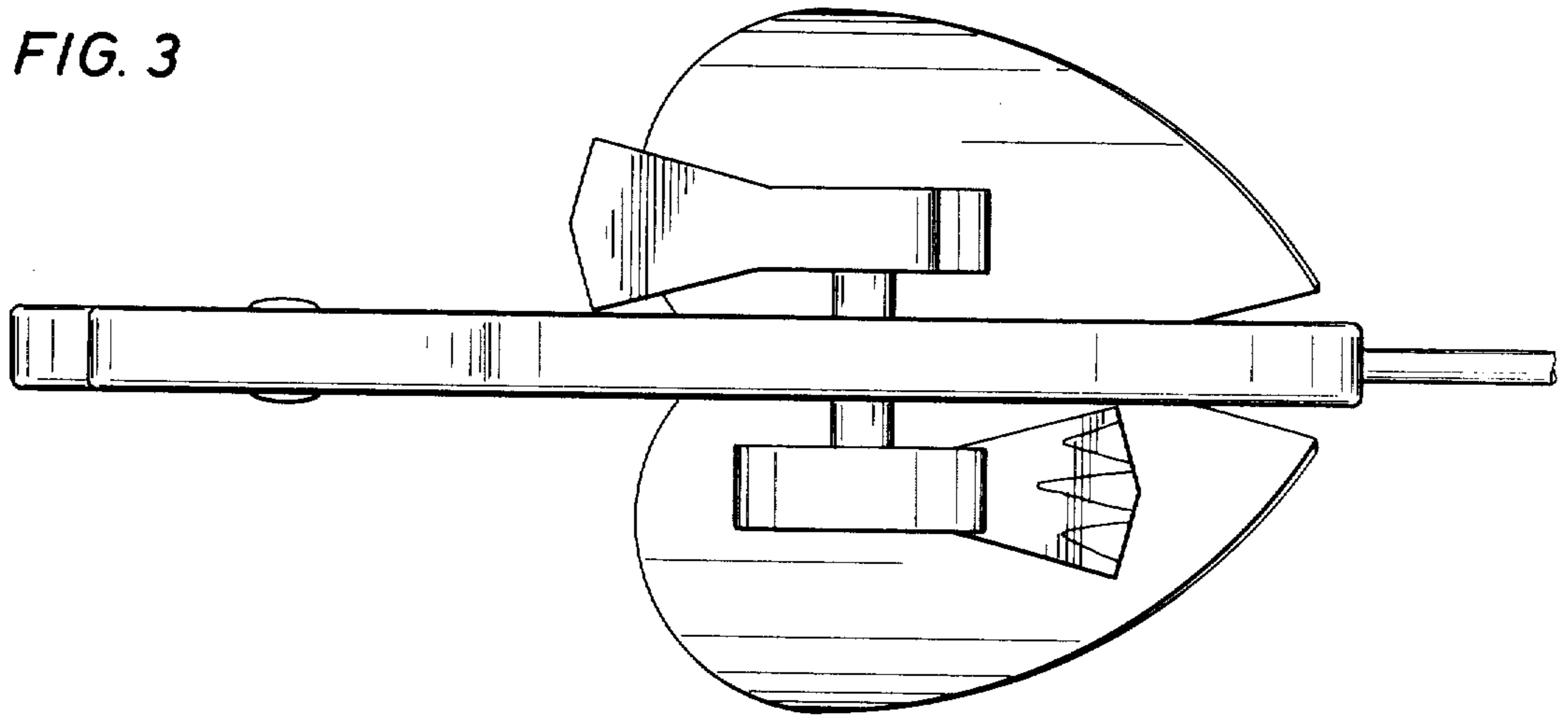


FIG. 4

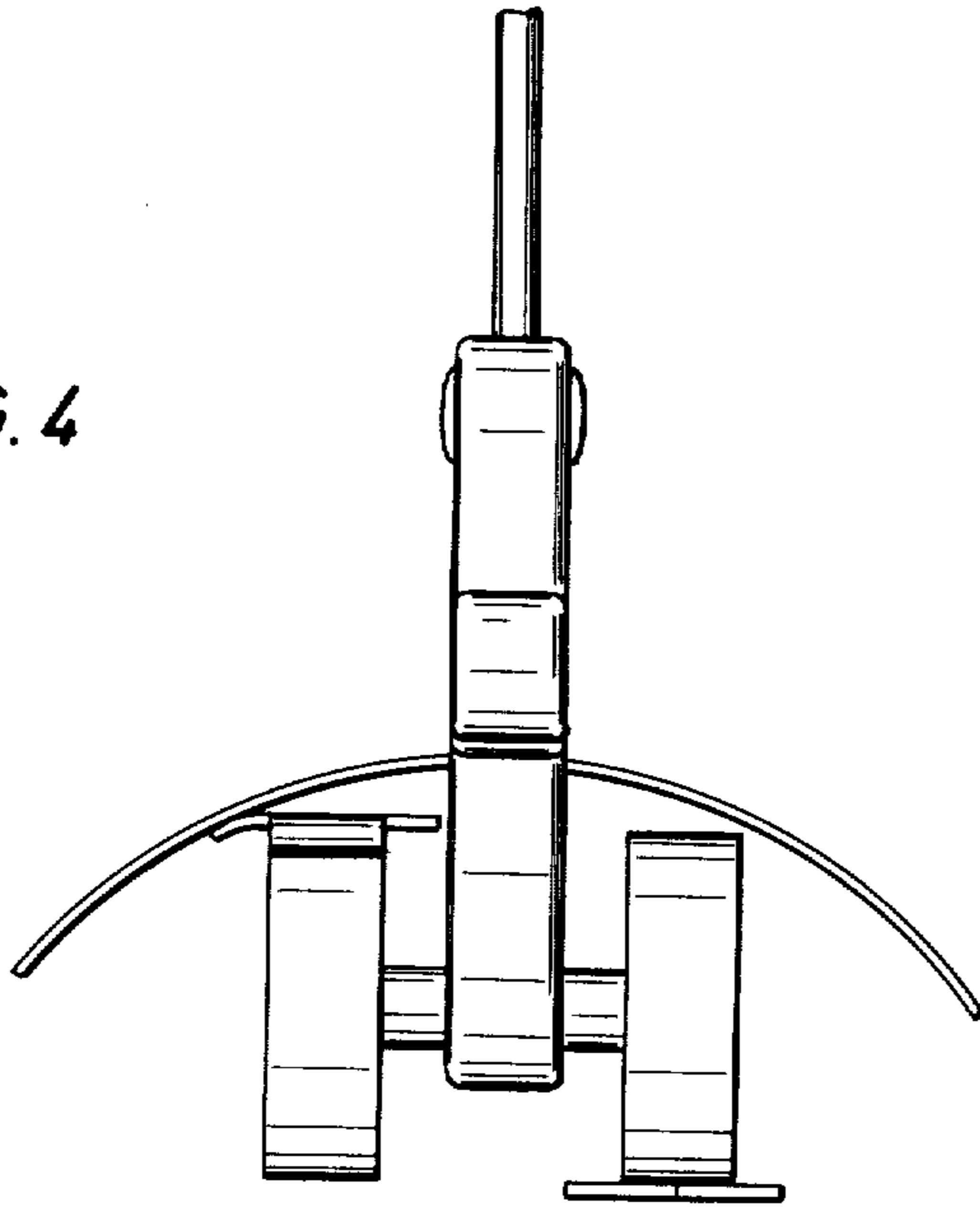


FIG. 5

