

[54] **TOY RACE CAR**

[75] **Inventor:** Jack L. Breneman, Orchard Park, N.Y.

[73] **Assignee:** The Quaker Oats Company, Chicago, Ill.

[\*\*] **Term:** 14 Years

[21] **Appl. No.:** 109,623

[22] **Filed:** Jan. 4, 1980

[51] **Int. Cl.** ..... D21-01

[52] **U.S. Cl.** ..... D21/137

[58] **Field of Search** ..... D21/76, 78, 79, 81,  
D21/128, 132, 134, 135, 136, 137, 227; 46/201,  
204, 206, 210, 222, 221, 223

[56] **References Cited**

**U.S. PATENT DOCUMENTS**

- D. 241,960 10/1976 Huffman ..... D21/78  
D. 246,613 12/1977 Ogawa ..... D21/137  
D. 255,258 6/1980 Lukes ..... D21/227

*Primary Examiner*—Charles A. Rademaker  
*Attorney, Agent, or Firm*—Cumpston & Shaw

[57] **CLAIM**

The ornamental design for a toy race car, substantially as shown and described.

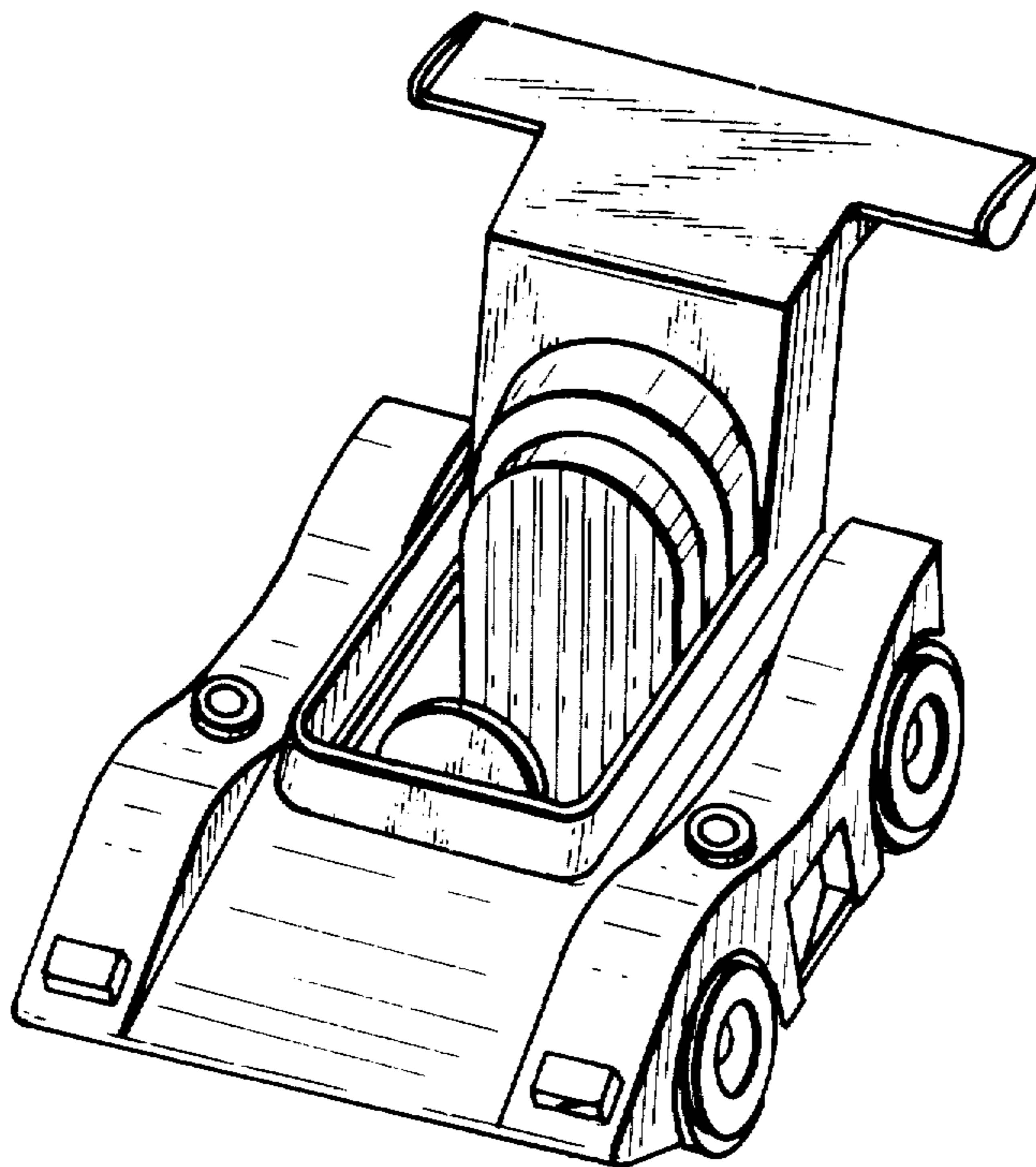
**DESCRIPTION**

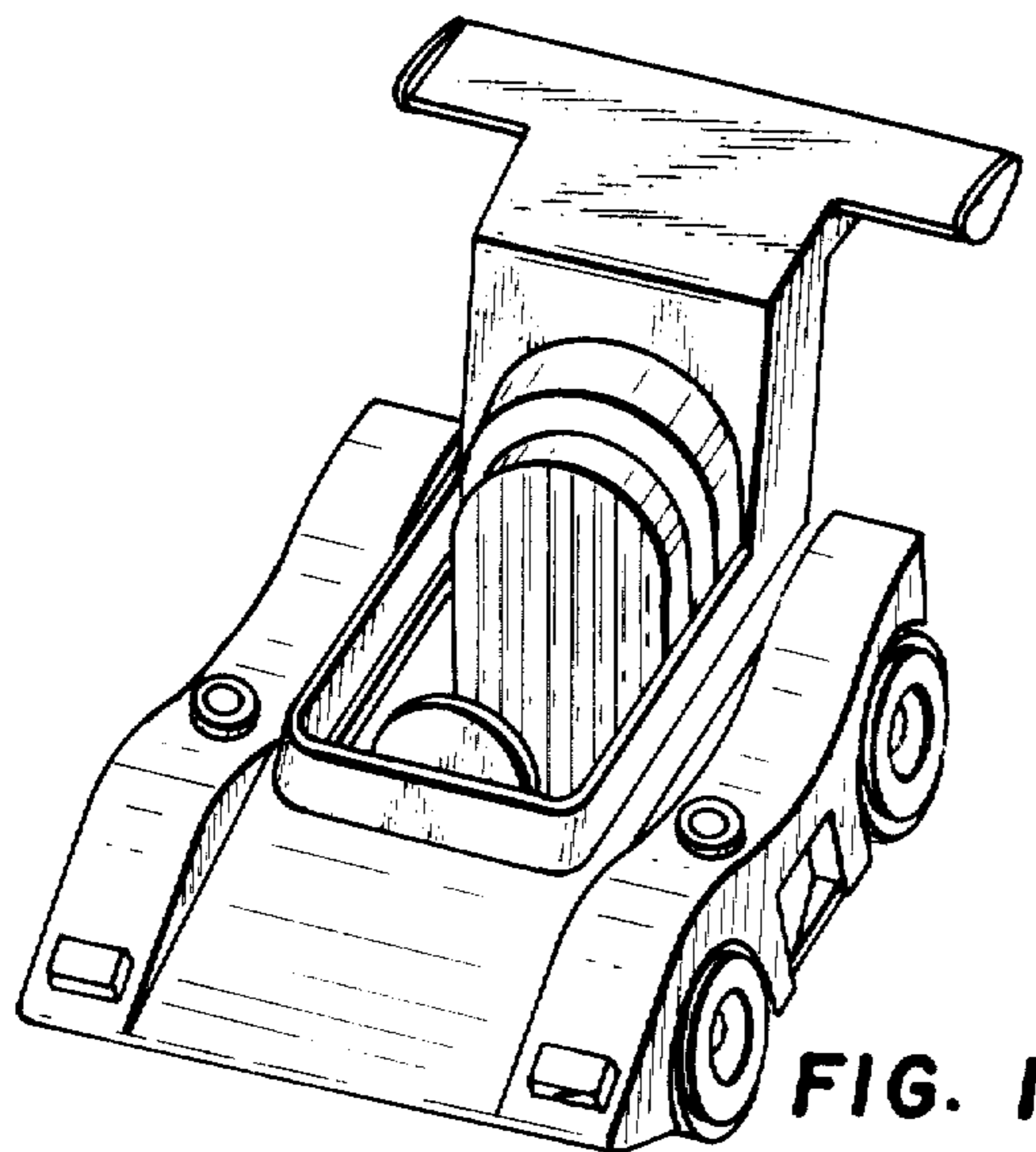
FIG. 1 is a front perspective view of a toy race car showing my new design;

FIG. 2 is a right-side elevational view thereof, the left side being substantially a mirror image;

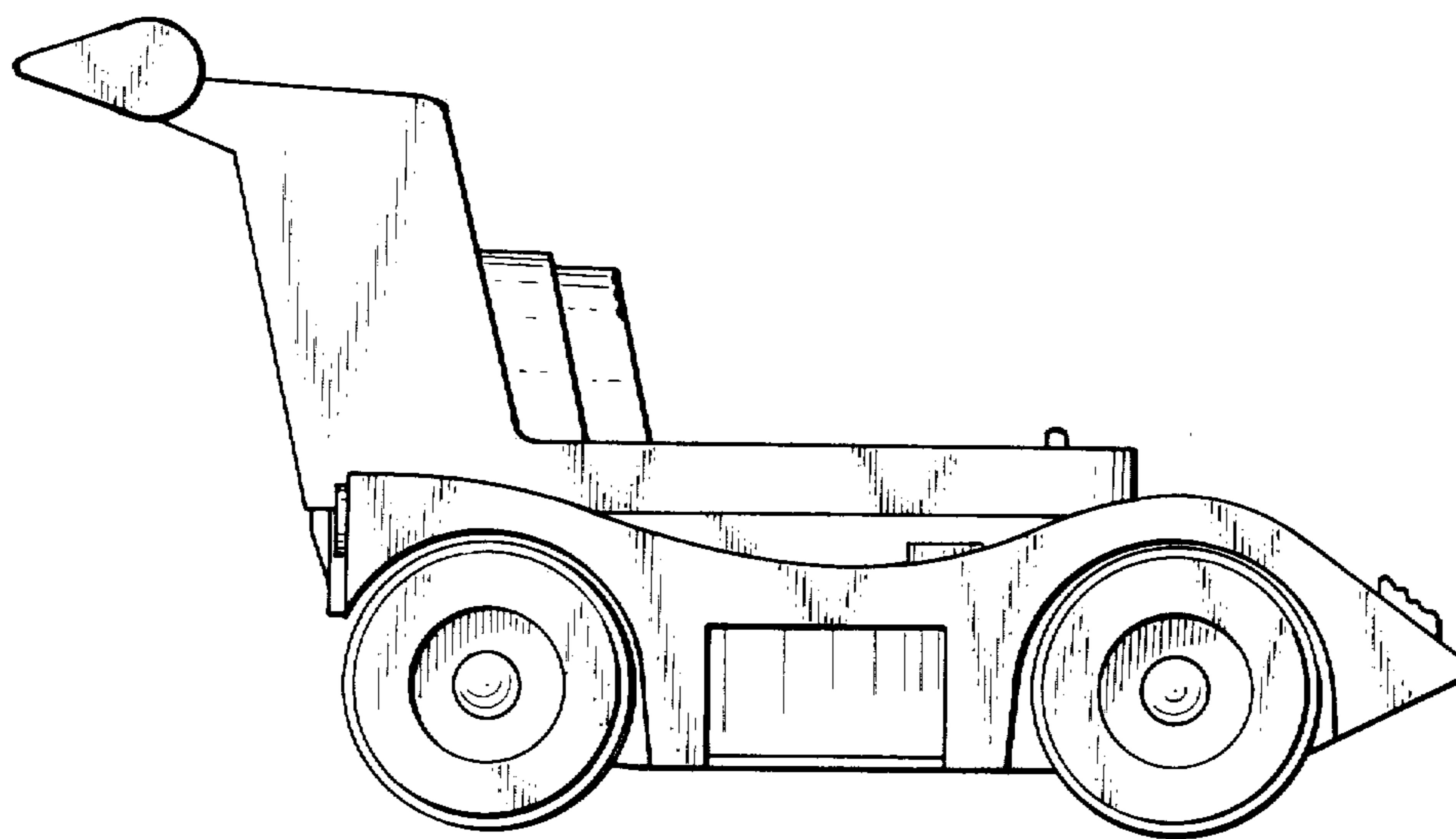
FIG. 3 is a rear elevational view thereof; and

FIG. 4 is a bottom plan view thereof.

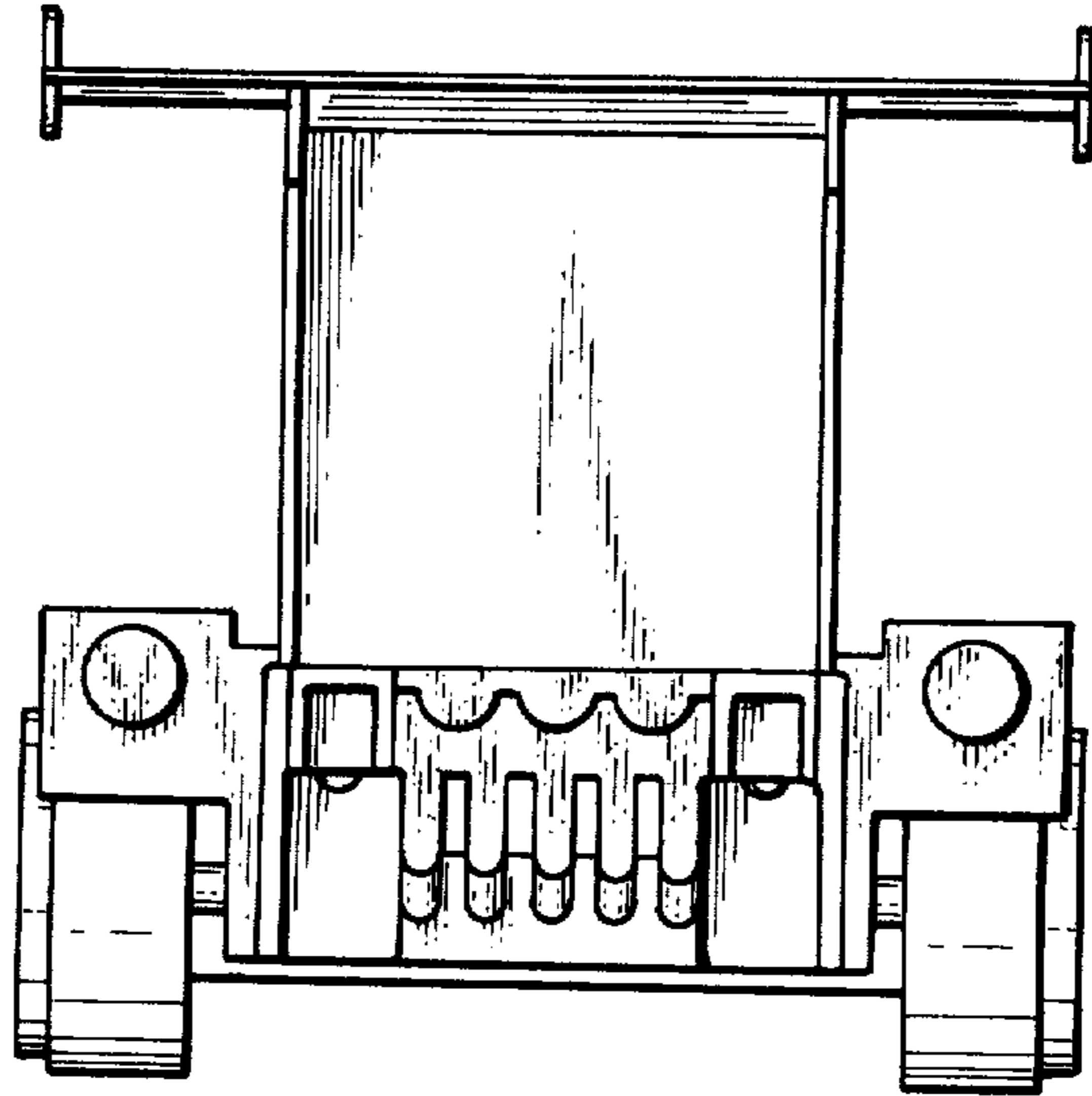




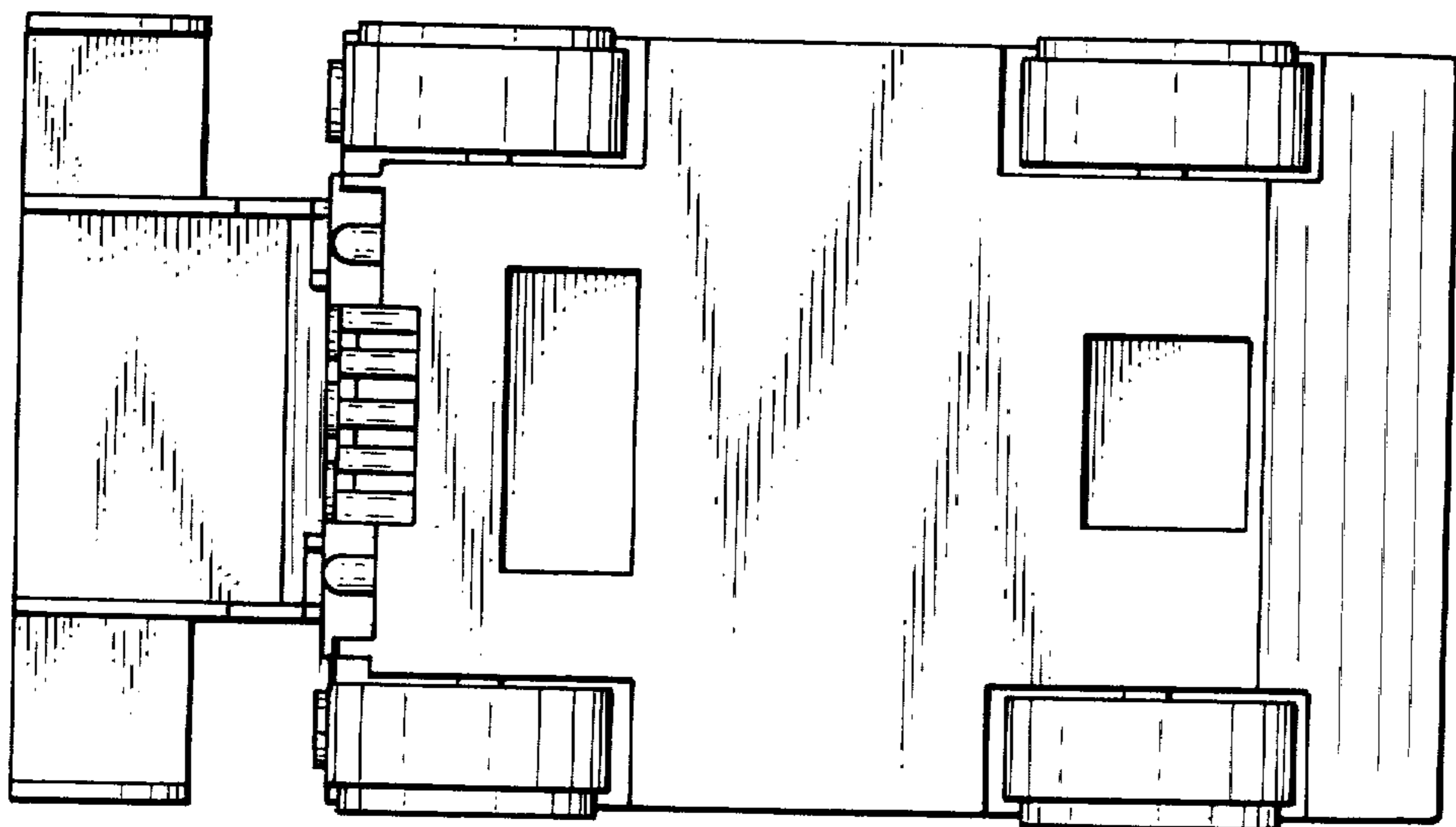
**FIG. 1**



**FIG. 2**



**FIG. 3**



**FIG. 4**