

[54] POCKET SIZE MAZE GAME BOX

[75] Inventor: Masaki Mayuzumi, Tokyo, Japan

[73] Assignee: Tomy Kogyo Co., Inc., Tokyo, Japan

[\*\*] Term: 14 Years

[21] Appl. No.: 80,570

[22] Filed: Oct. 1, 1979

[51] Int. Cl. .... D21-01

[52] U.S. Cl. .... D21/104; D21/7

[58] Field of Search ..... D21/104, 7, 9, 10;  
273/109, 118-126 R

[56] References Cited

U.S. PATENT DOCUMENTS

- D. 245,355 8/1977 Yamagata ..... D21/7
- D. 250,286 11/1978 Zelenko ..... D21/104

Primary Examiner—Melvin B. Feifer  
Attorney, Agent, or Firm—K. H. Boswell; Edward D. O'Brian

[57] CLAIM

The ornamental design for a pocket size maze game box, substantially as shown and described.

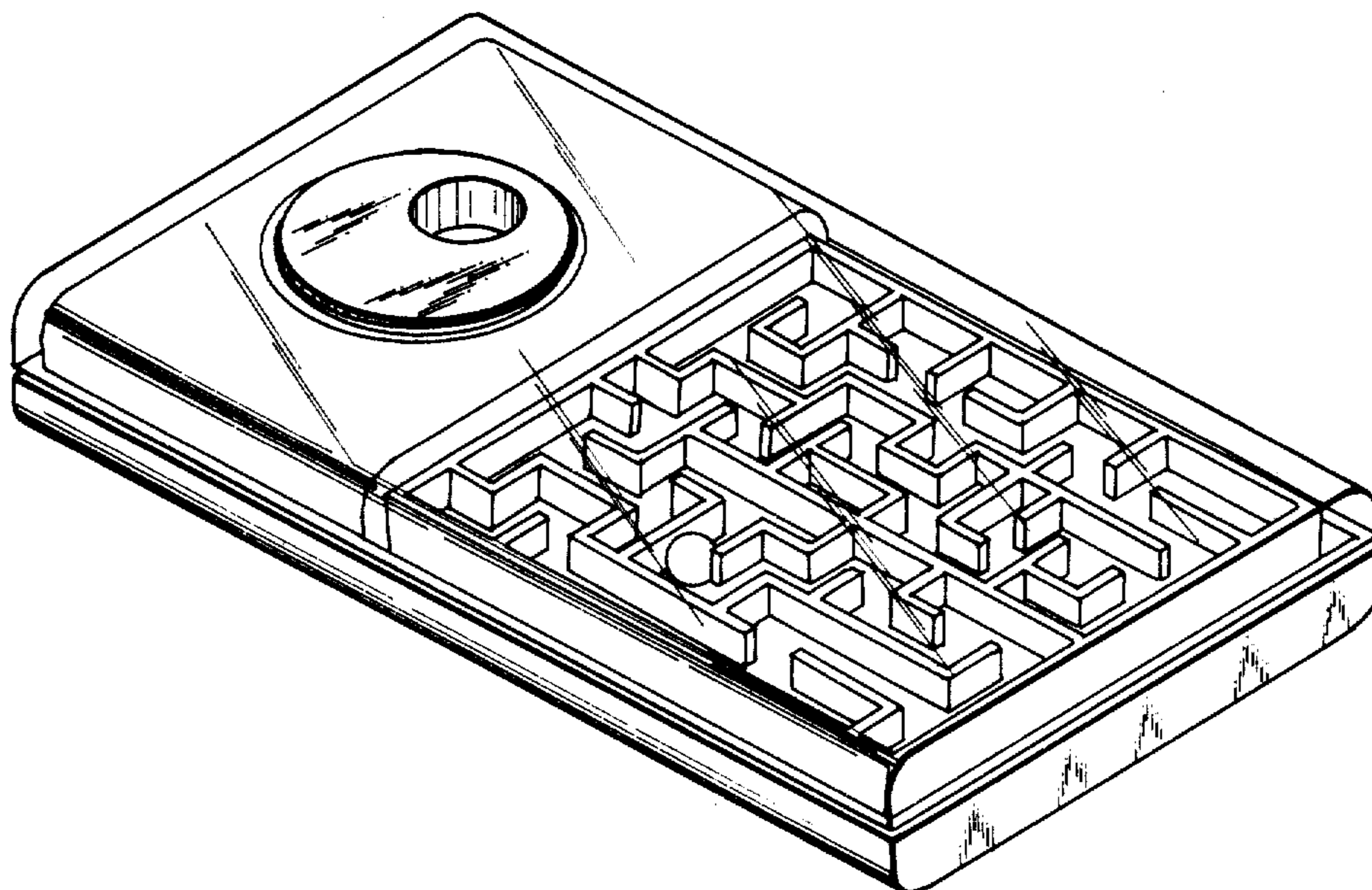
DESCRIPTION

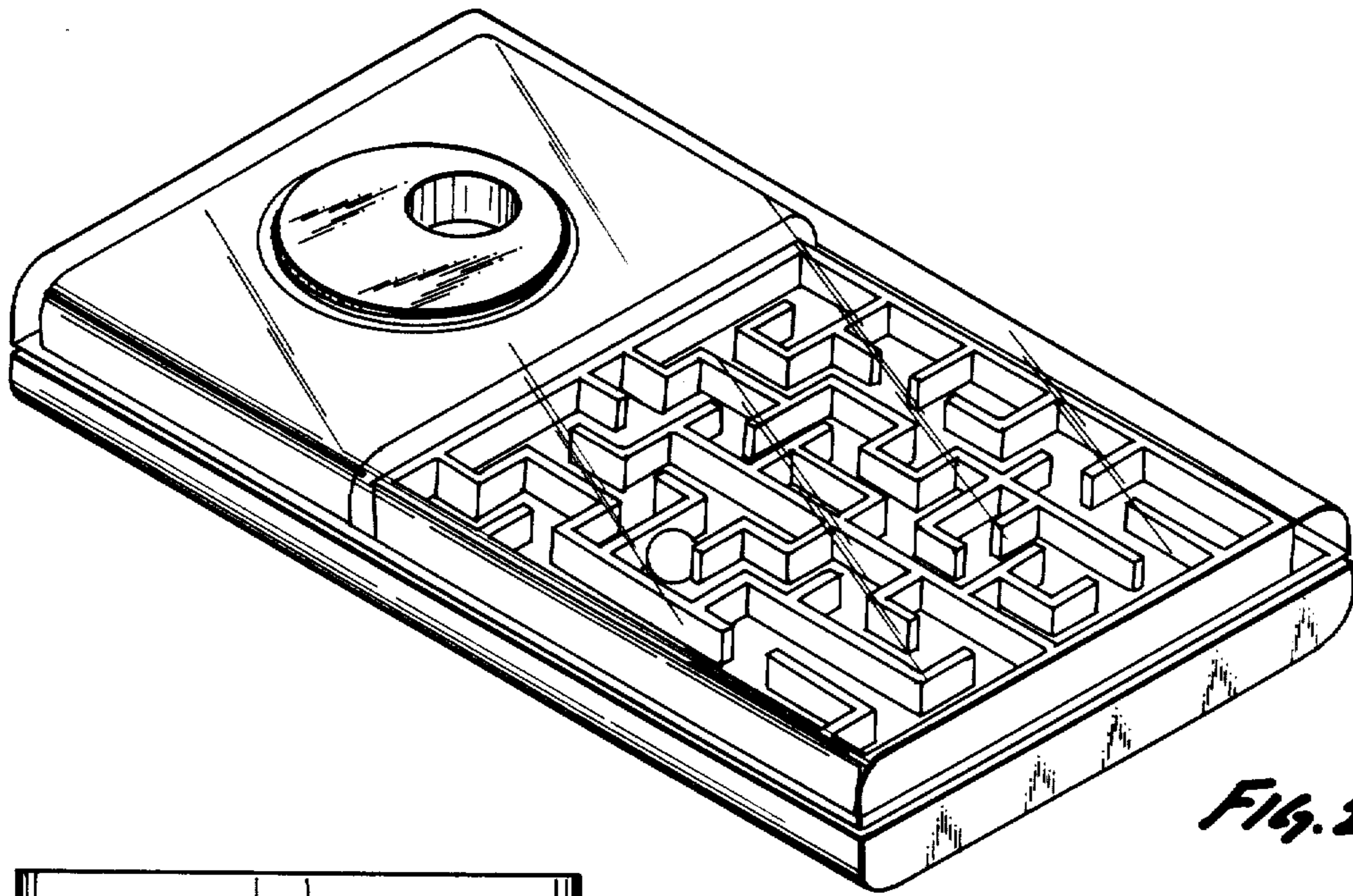
FIG. 1 is an isometric view showing the top, the left side and one end of a pocket size maze game box showing my new design;

FIG. 2 is an end elevational view of the end not shown in FIG. 1;

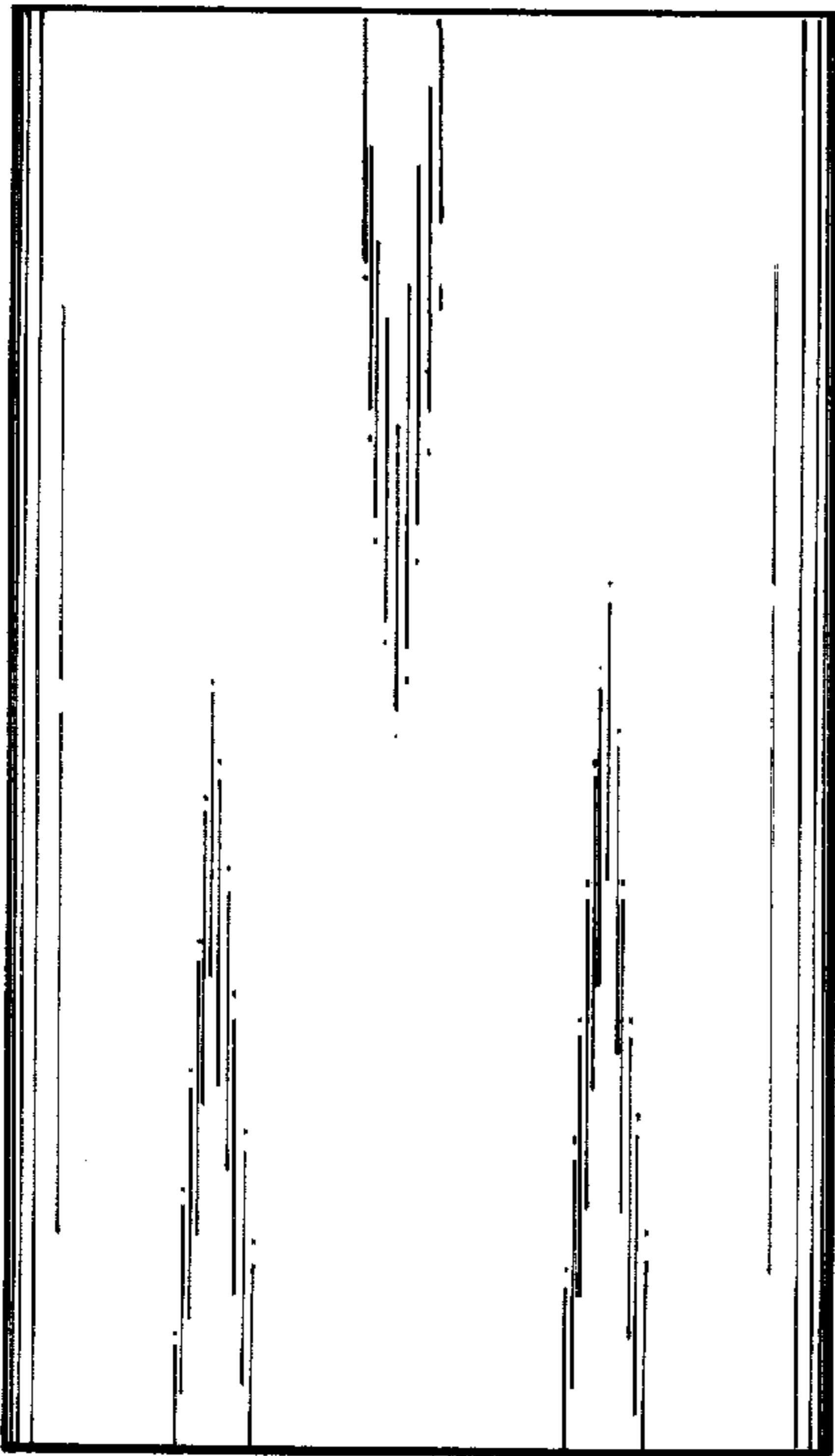
FIG. 3 is a side elevational view of the side not shown in FIG. 1; and

FIG. 4 is a bottom plan view of the toy maze game shown in FIG. 1.





*Fig. 1*



*Fig. 4*



*Fig. 2*



*Fig. 3*