

[54] **HOOP GUIDE**

[76] **Inventor:** **George B. Hamrick**, 547 Lake
Howell Rd., Maitland, Fla. 32751

[**] **Term:** **14 Years**

[21] **Appl. No.:** **25,770**

[22] **Filed:** **Apr. 2, 1979**

[51] **Int. Cl.** **D21-01**

[52] **U.S. Cl.** **D21/101**

[58] **Field of Search** **D21/101; 46/220;**
294/26, 55.5

[56] **References Cited**

U.S. PATENT DOCUMENTS

1,272,240 7/1918 Enomoto 46/220
2,791,064 5/1957 McDonald D21/101
3,001,325 9/1961 Riccobono et al. 46/220

FOREIGN PATENT DOCUMENTS

978360 11/1975 Canada 46/220

Primary Examiner—Melvin B. Feifer

Attorney, Agent, or Firm—Duckworth, Allen, Dyer &
Pettis

[57] **CLAIM**

The ornamental design for a hoop guide, as shown.

DESCRIPTION

FIG. 1 is a perspective view as seen from front, top, left
of a hoop guide showing my new design;

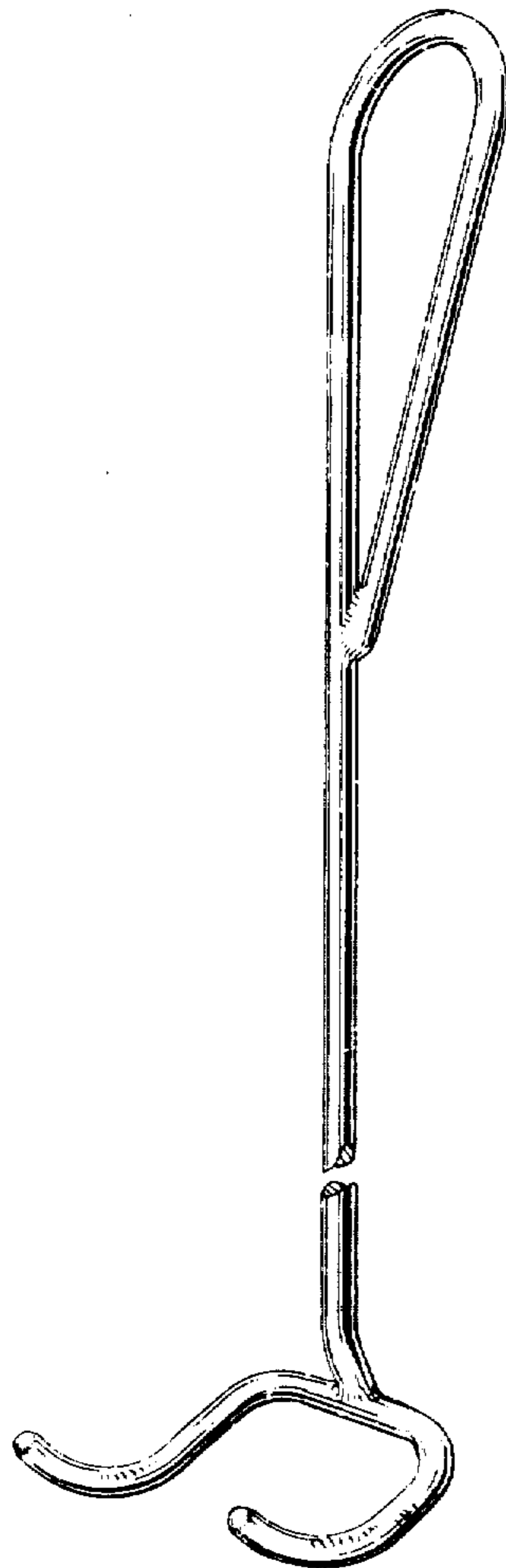
FIG. 2 is an enlarged partial perspective view as seen
from front, top, right;

FIG. 3 is a side elevation view of the lower hook por-
tion;

FIG. 4 is a bottom plan view;

FIG. 5 is a front elevation of the lower portion; and

FIG. 6 is a rear elevation view of the lower portion.



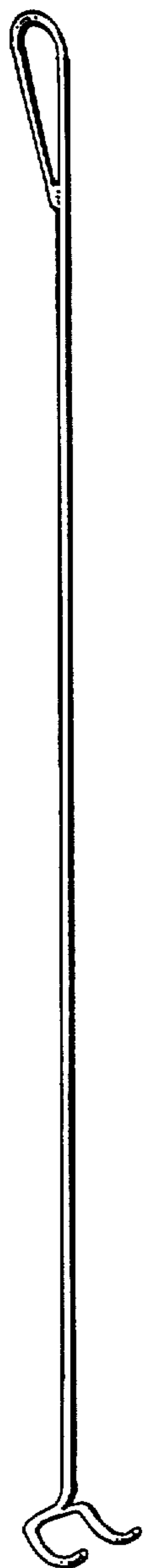


FIG. 1

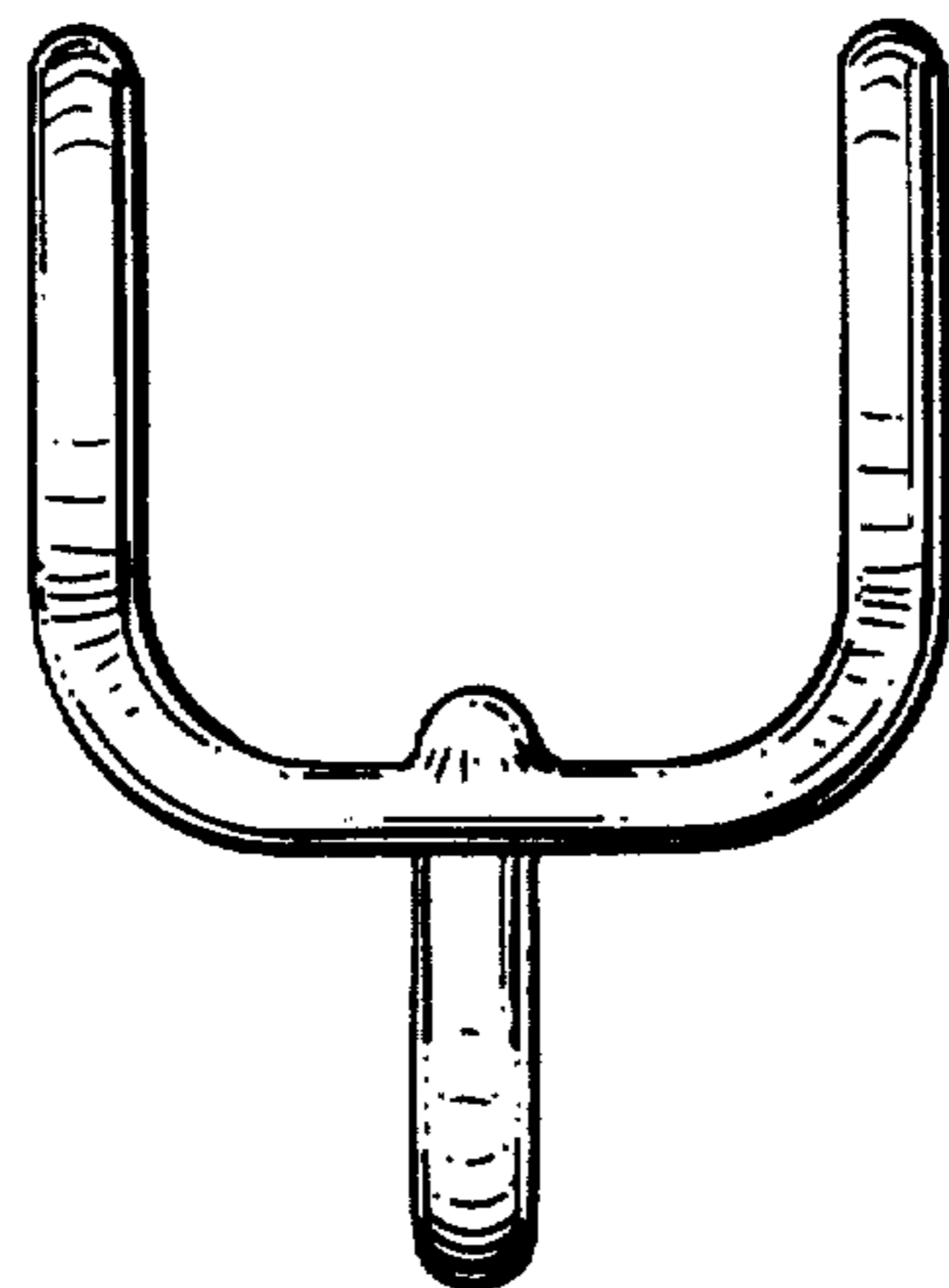


FIG. 4

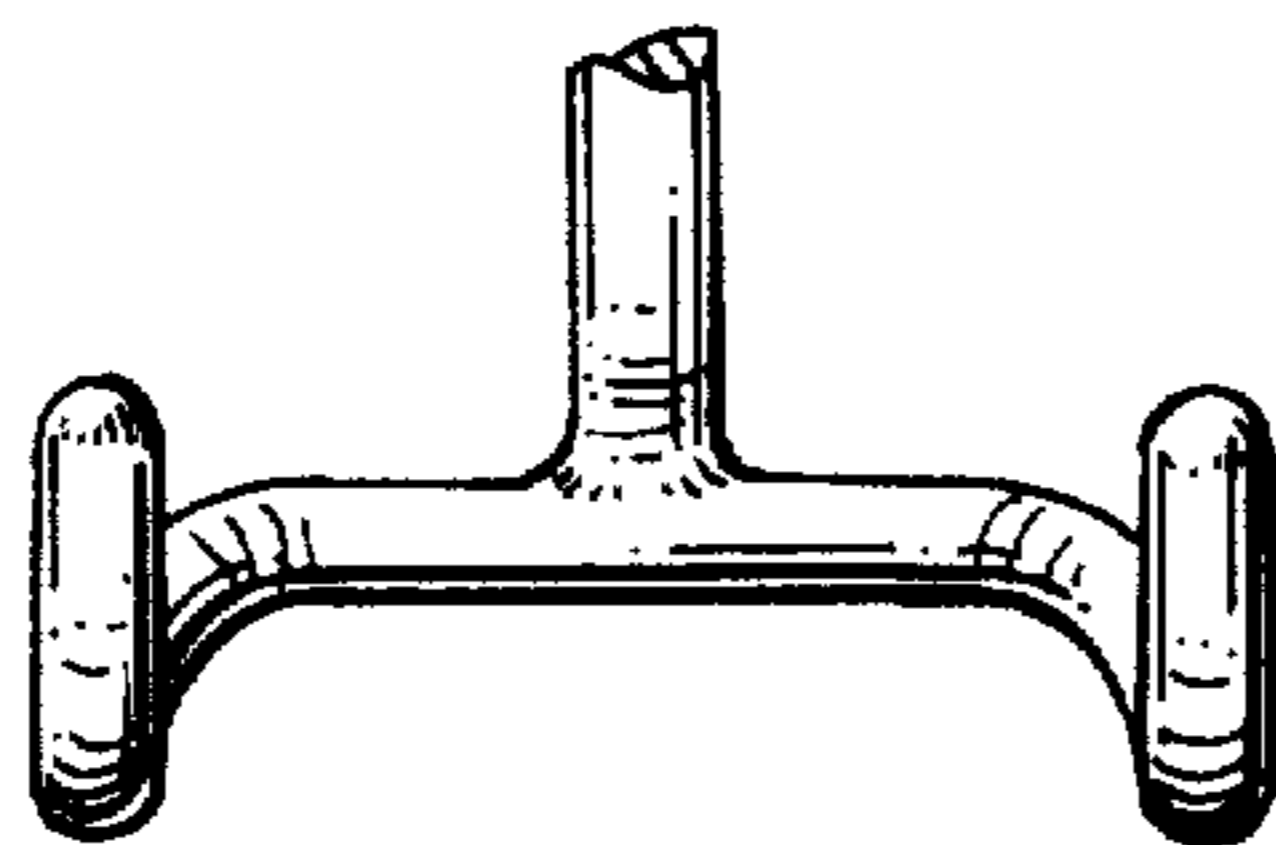


FIG. 5

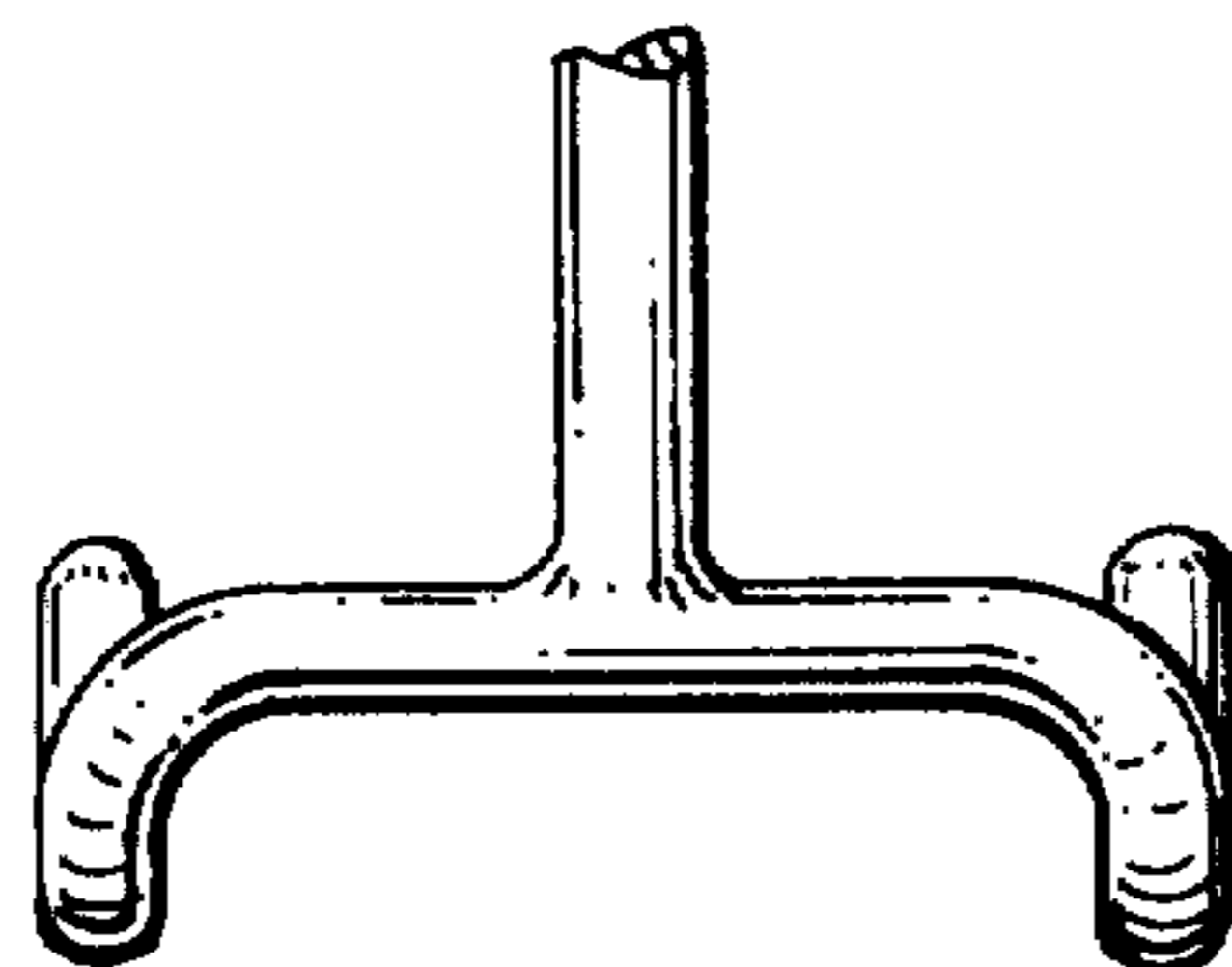


FIG. 6

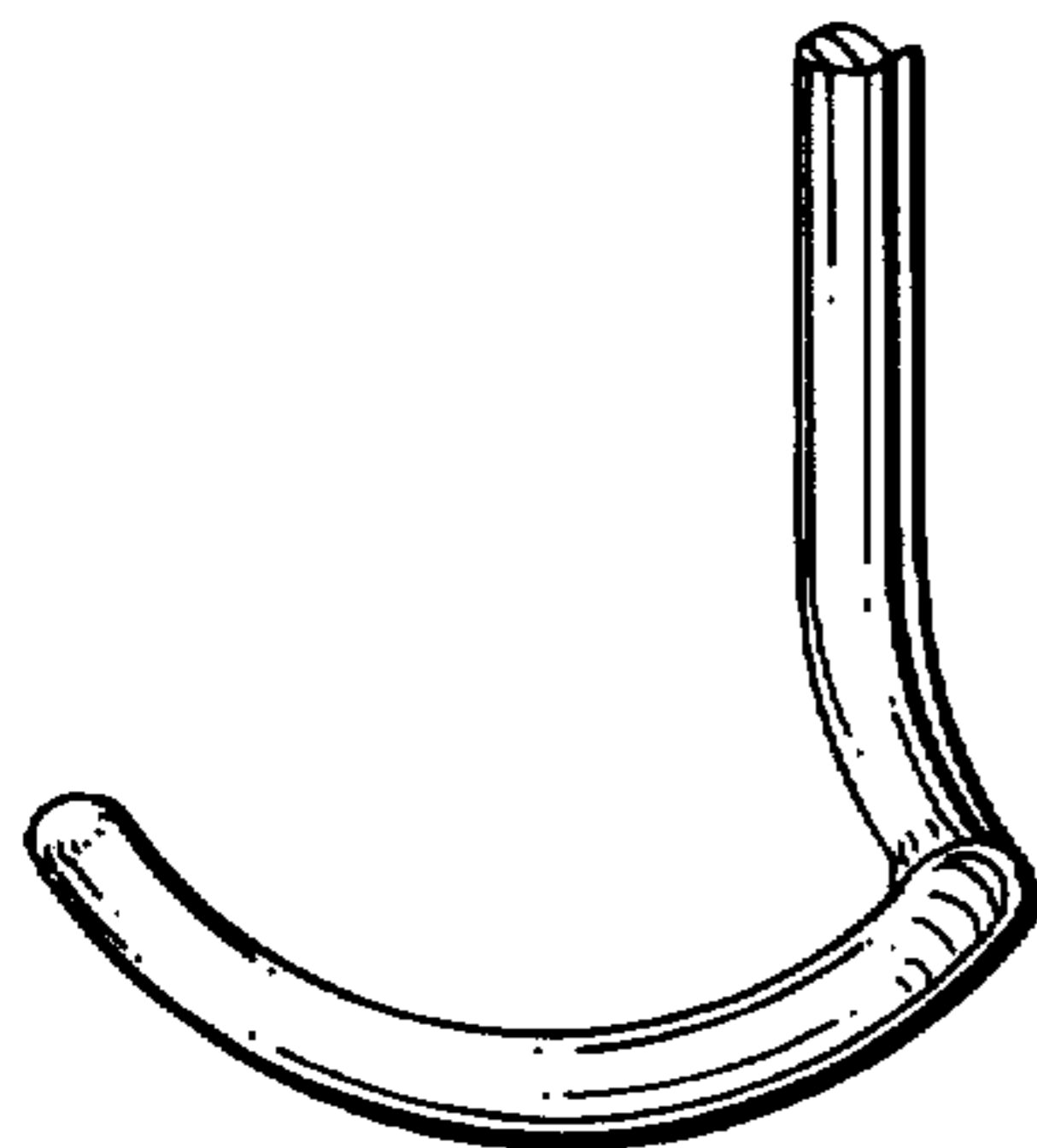


FIG. 3

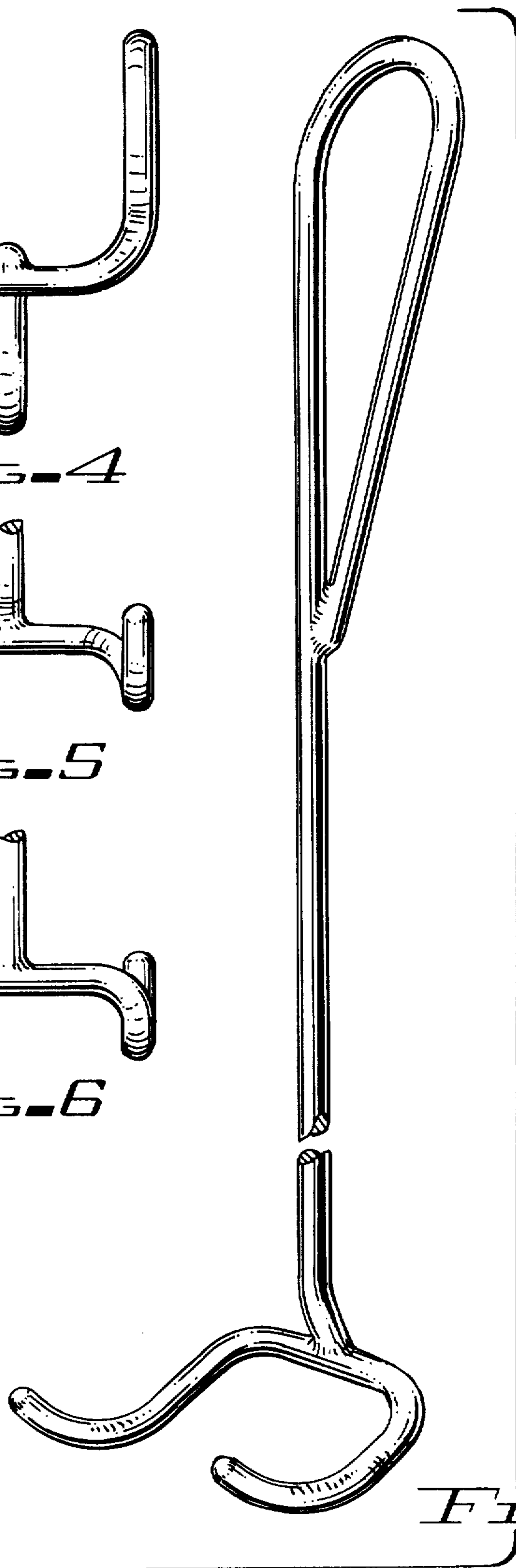


FIG. 2