

[54] **BALANCING TOY**
[75] Inventor: **Richard Heatwole**, Decatur, Ill.
[73] Assignee: **James A. Southerland**, Marshall, Ill. ;
a part interest
[**] Term: **14 Years**
[21] Appl. No.: **73,831**
[22] Filed: **Sep. 10, 1979**
[51] Int. Cl. **D21-02**
[52] U.S. Cl. **D21/66; D21/191**
[58] Field of Search **D21/66, 191, 193, 199;**
272/70, 111, 96, 70.2

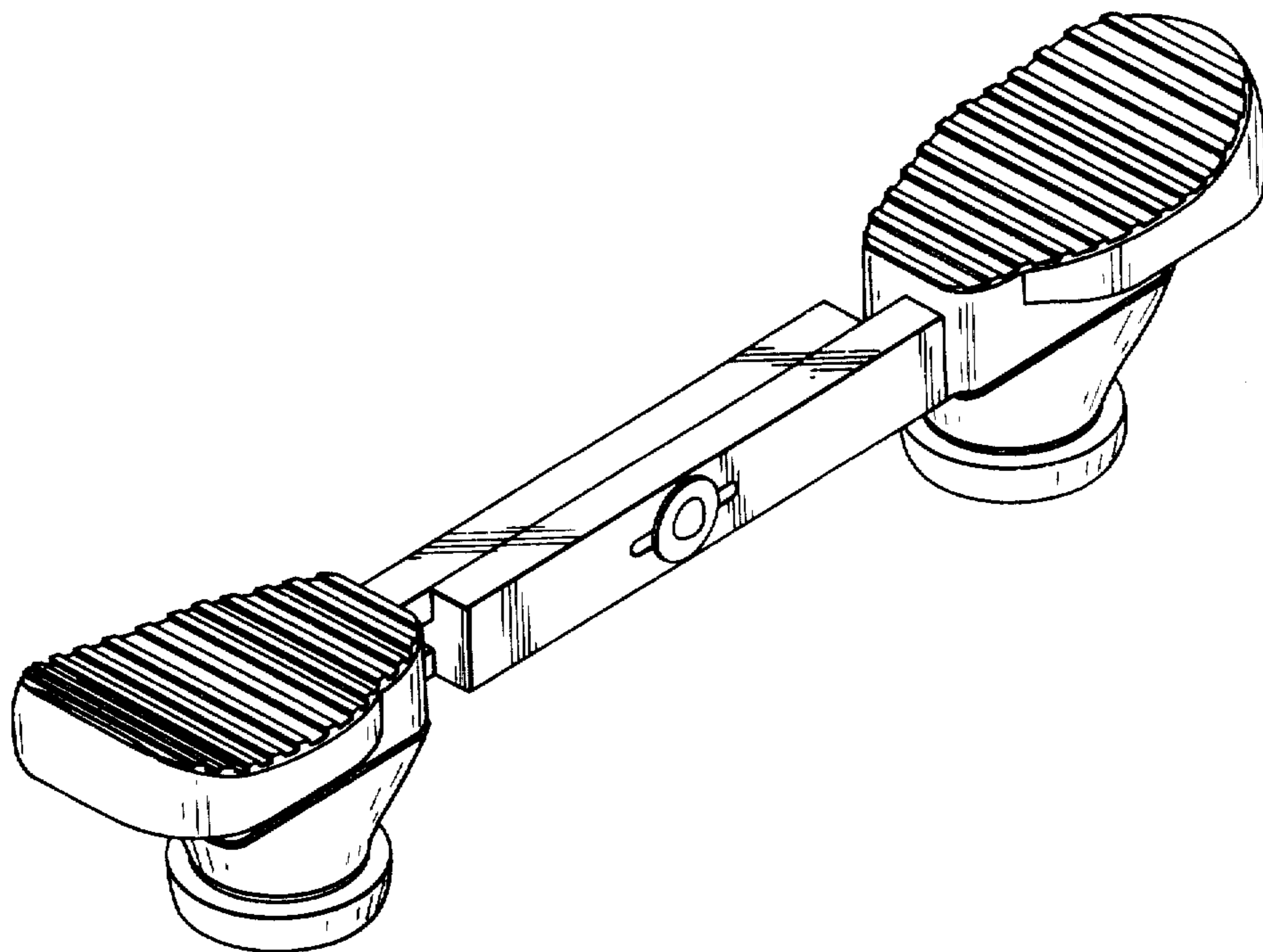
[56] **References Cited**
U.S. PATENT DOCUMENTS
2,253,996 8/1941 **Bechman** 272/70
2,941,801 6/1960 **Pedersen** 272/70
3,108,802 10/1963 **Sundquist** 272/70
3,438,626 4/1969 **Modla** 272/70

3,854,717 12/1974 **Judkins et al.** 272/70
3,967,820 7/1976 **Harper** 272/70

Primary Examiner—Charles A. Rademaker
Attorney, Agent, or Firm—Seidel, Gonda, Goldhammer
& Panitch

[57] **CLAIM**
The ornamental design for a balancing toy, substantially
as shown and described.

DESCRIPTION
FIG. 1 is a perspective view of a balancing toy showing
my new design;
FIG. 2 is a front elevational view thereof;
FIG. 3 is a rear elevational view thereof;
FIG. 4 is a top plan view thereof;
FIG. 5 is a bottom plan view thereof;
FIG. 6 is an end elevational view thereof;
FIG. 7 is a perspective view of a modified form of the
design shown in FIGS. 1 through 6; and,
FIG. 8 is a top plan view thereof.



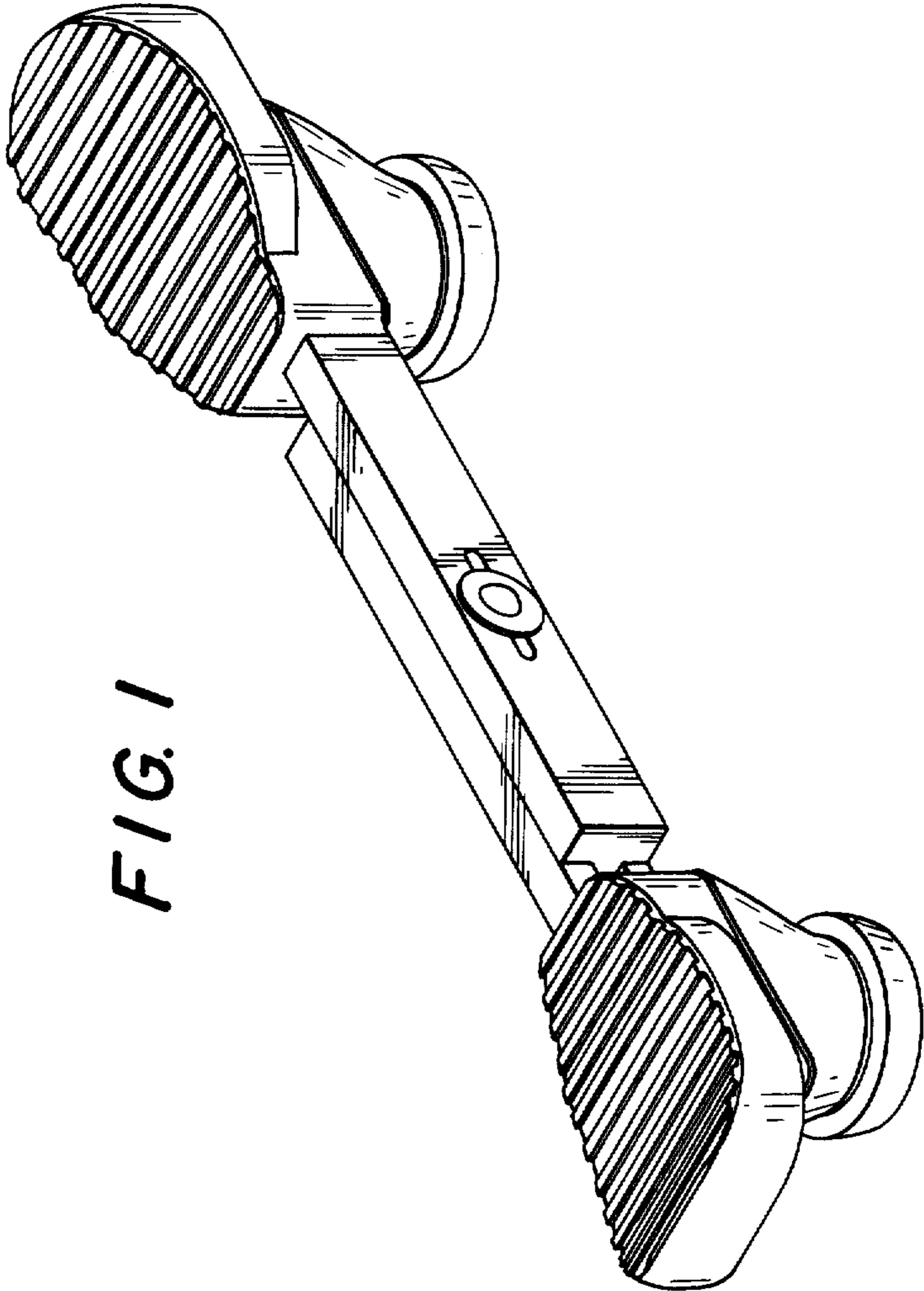
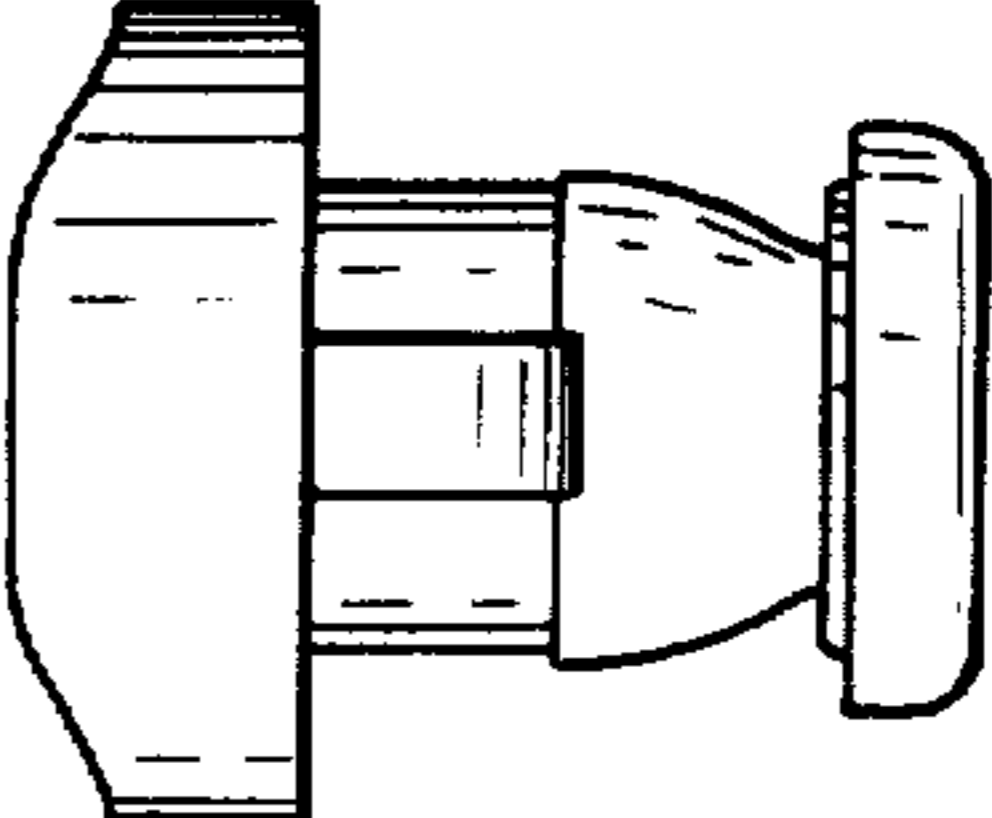


FIG. 1

FIG. 6



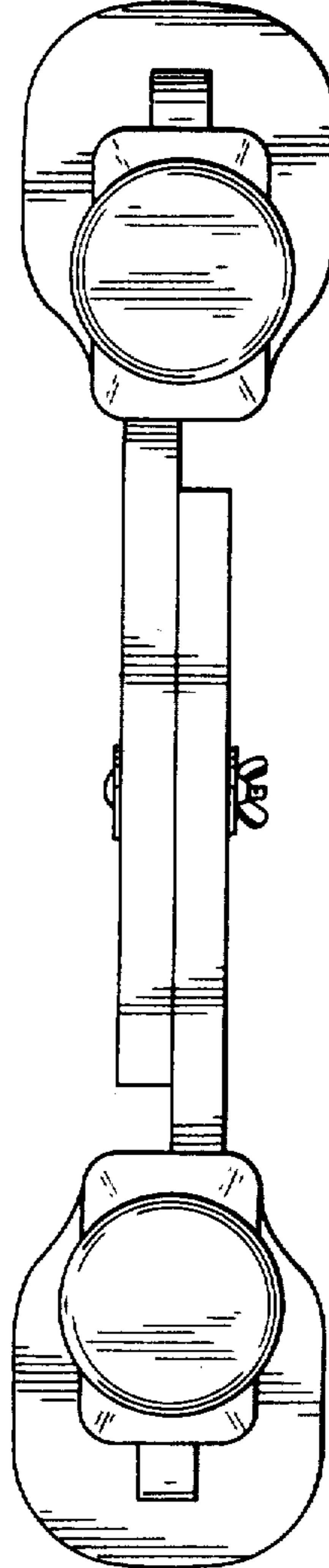
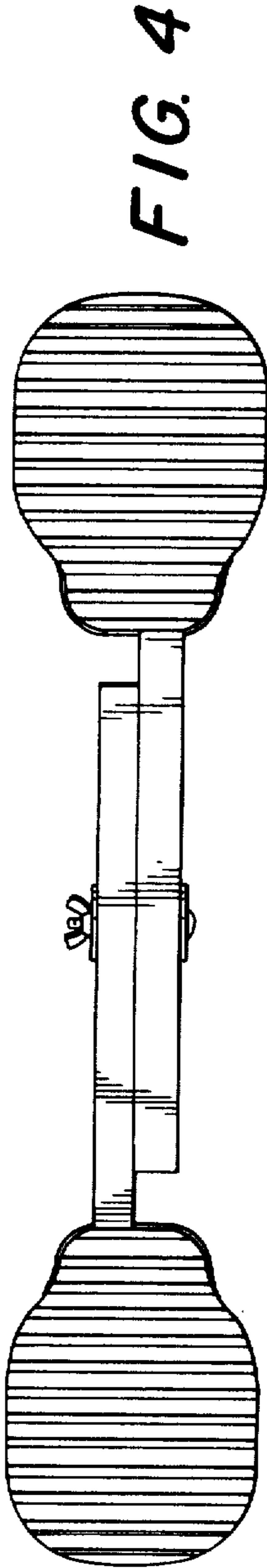
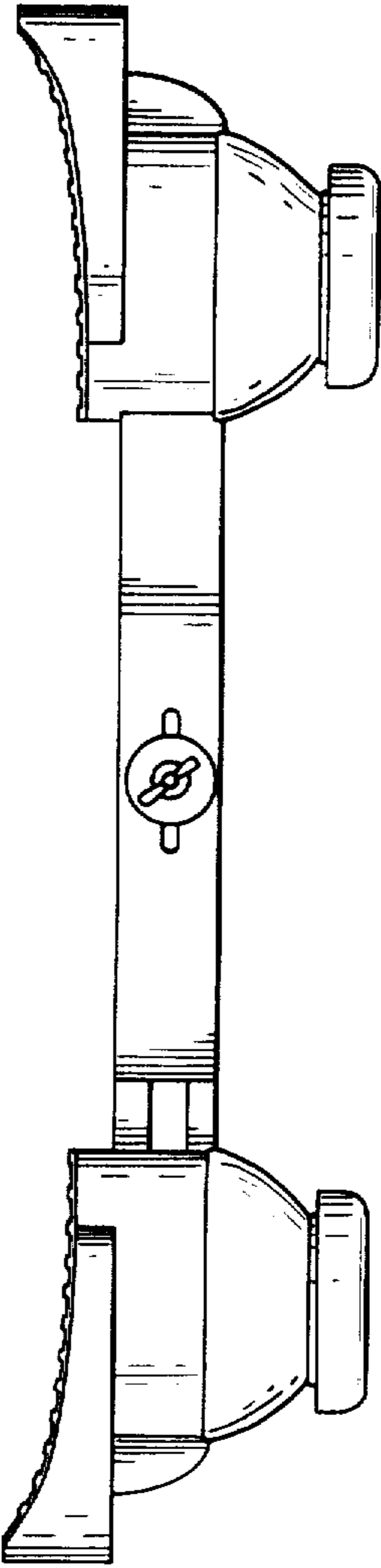
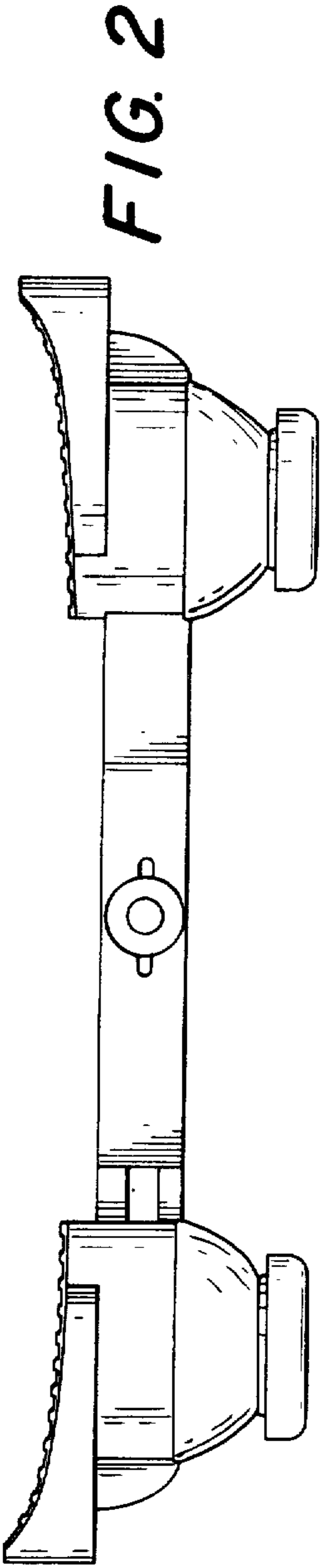


FIG. 2

FIG. 3

FIG. 4

FIG. 5

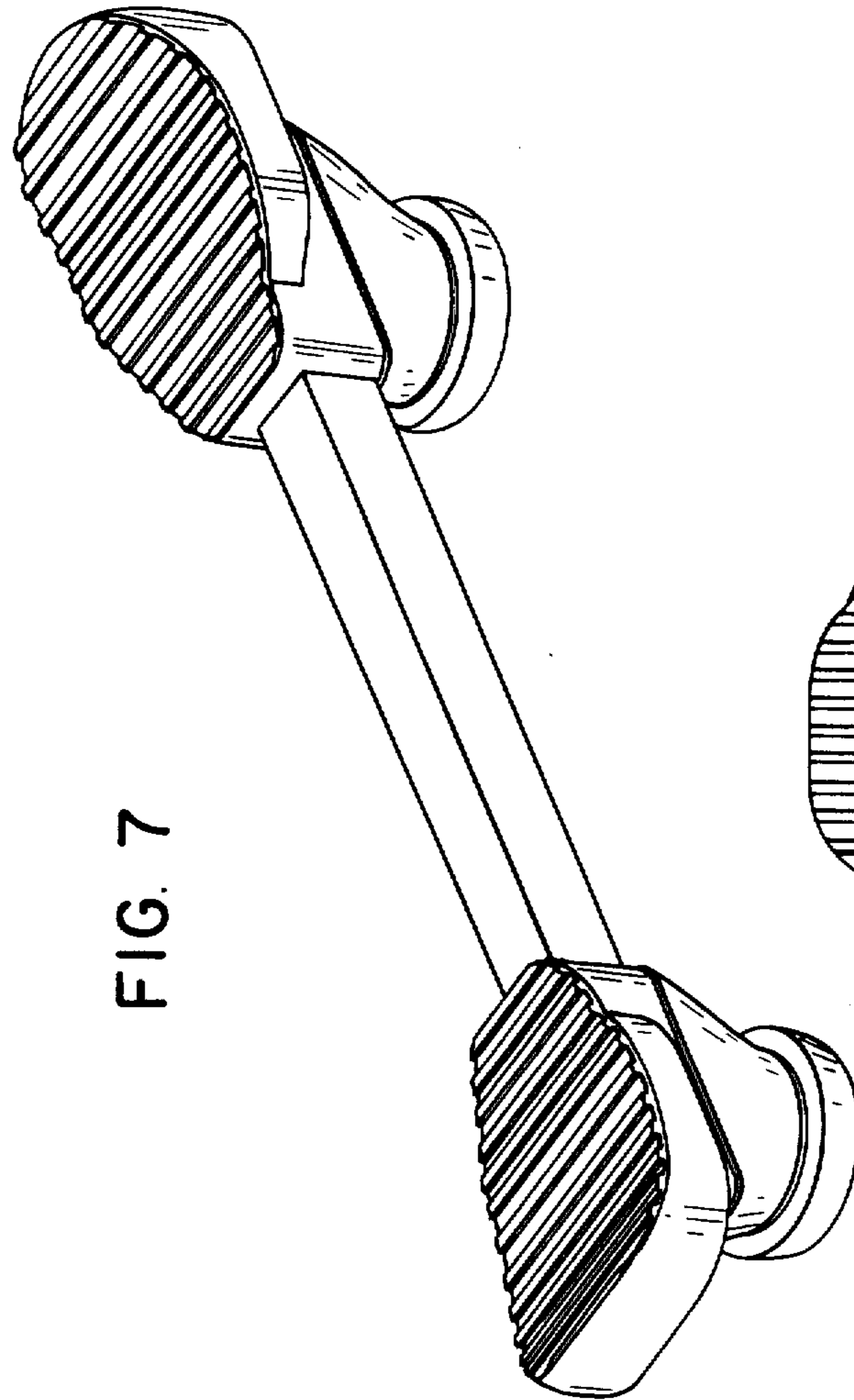


FIG. 7

FIG. 8

