

[54] COMBINED CLIPBOARD AND FILE CONTAINER

[76] Inventor: Bernard H. Mulder, 727 W. Sixth St., Hinsdale, Ill. 60521

[**] Term: 14 Years

[21] Appl. No.: 135,457

[22] Filed: Mar. 31, 1980

[51] Int. Cl. D19-02

[52] U.S. Cl. D19/88; D3/78

[58] Field of Search D19/88, 86, 90, 89; D8/395; 24/67 R, 67.3, 67.5, 67.7; 281/15 B, 45; 248/441 R, 442, 443, 444; 108/43; D3/30, 78, 74

[56] References Cited

U.S. PATENT DOCUMENTS

- D. 182,598 4/1958 Fleming D19/88
- D. 255,251 6/1980 Hansen D19/88
- 3,977,744 8/1976 DeWitt D19/88

OTHER PUBLICATIONS

Evans Specialty Co. Adv. 9/62 "Clip/Drawer".

Man's World Gallery of Gifts, 9/1/67, p. 29 Clipboard, left center.

Primary Examiner—George P. Word
Attorney, Agent, or Firm—McWilliams, Mann & Zummer

[57] CLAIM

The ornamental design for a combined clipboard and file container, substantially as shown and described.

DESCRIPTION

FIG. 1 is a perspective view of a combined clipboard and file container showing my new design;

FIG. 2 is a top plan view thereof;

FIG. 3 is a bottom plan view thereof;

FIG. 4 is a side elevational view thereof, taken along line 4—4 of FIG. 2;

FIG. 5 is a top elevational view thereof, taken along line 5—5 of FIG. 2;

FIG. 6 is a perspective view similar to that of FIG. 1, but showing the combined clipboard and file container in opened relation;

FIG. 7 is a top plan view of the combined clipboard and file container as shown in FIG. 6; and

FIG. 8 is a bottom edge elevational view of the combined clipboard and file container taken along line 8—8 of FIG. 7.

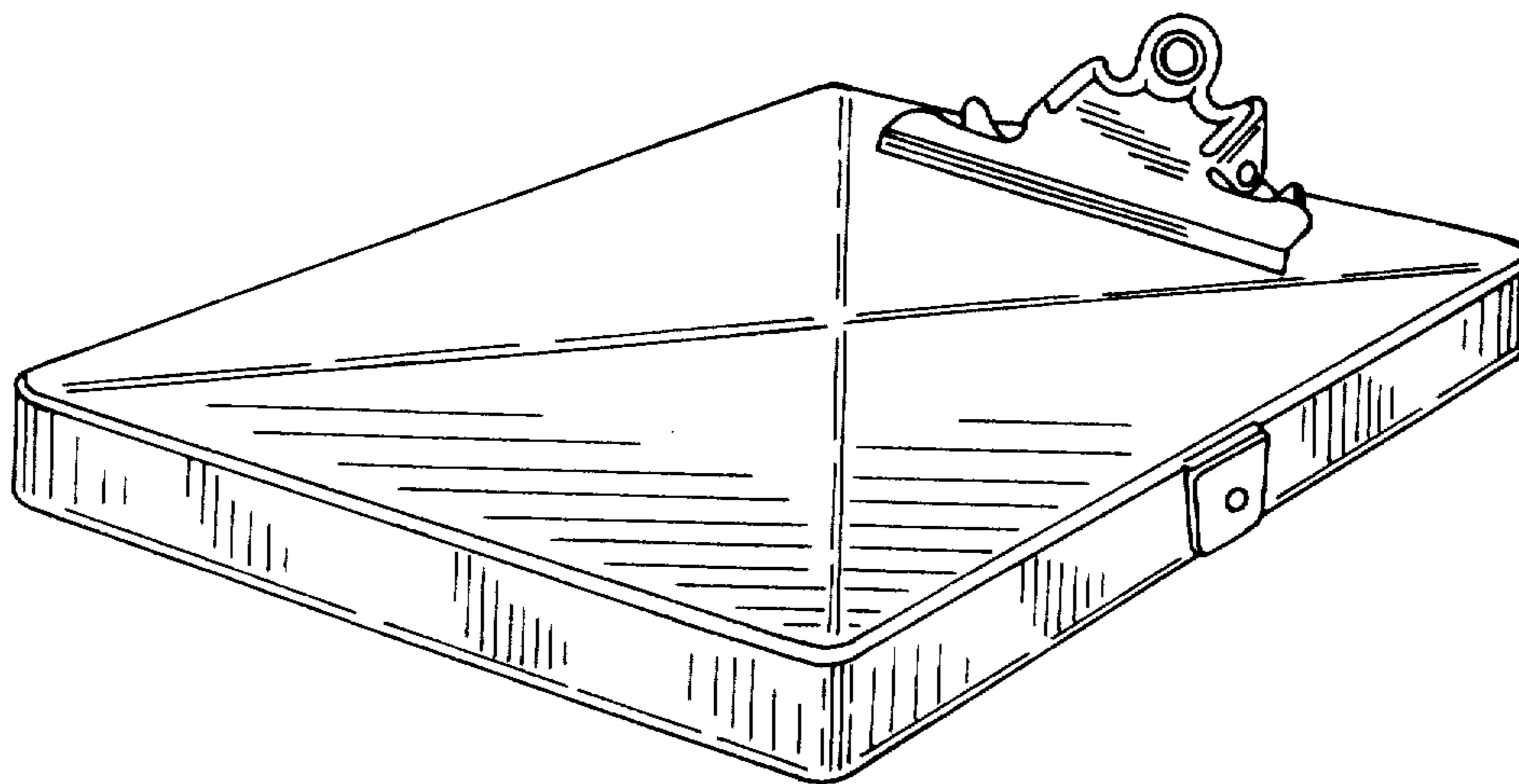


FIG-1

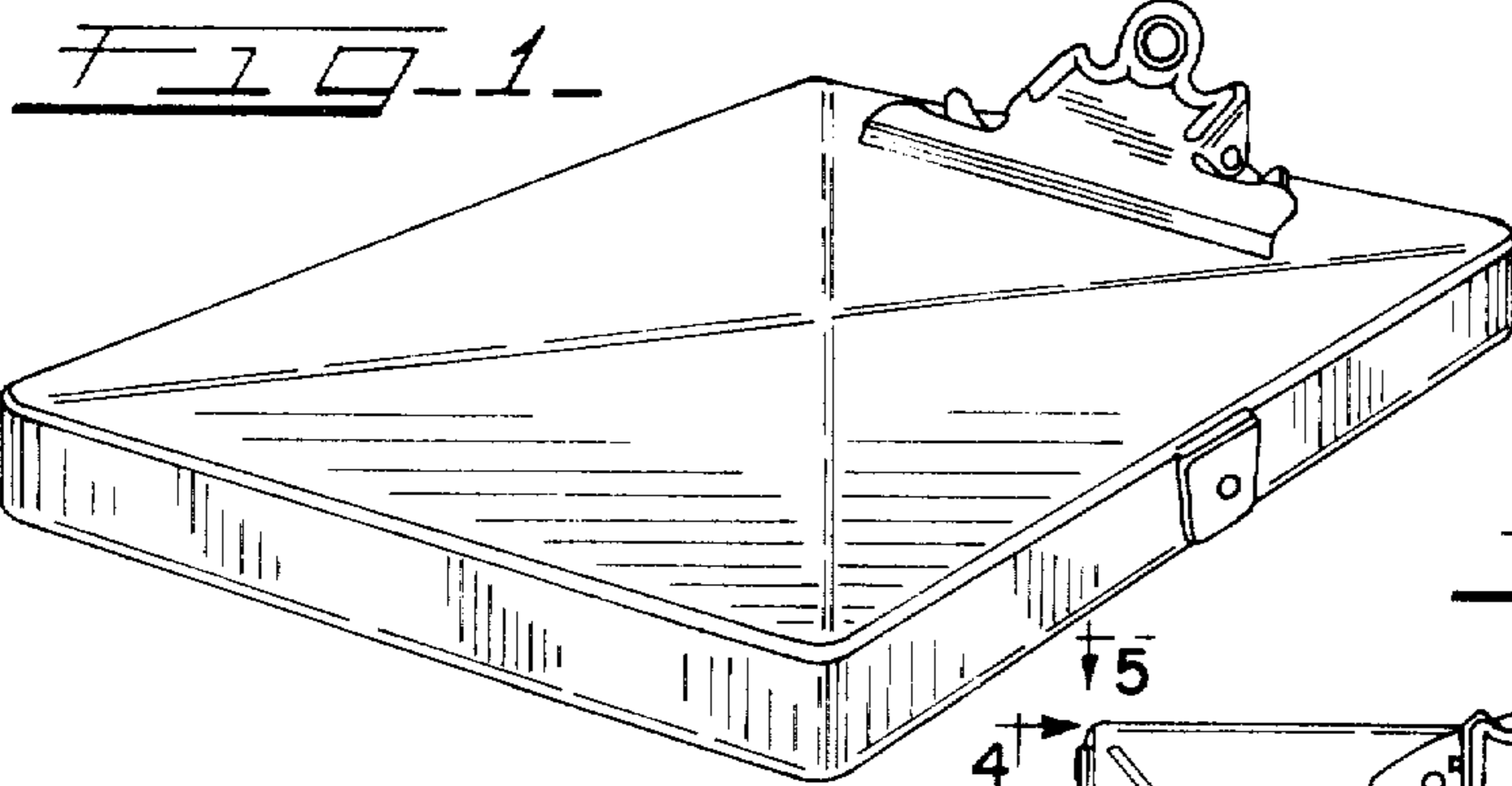


FIG-2

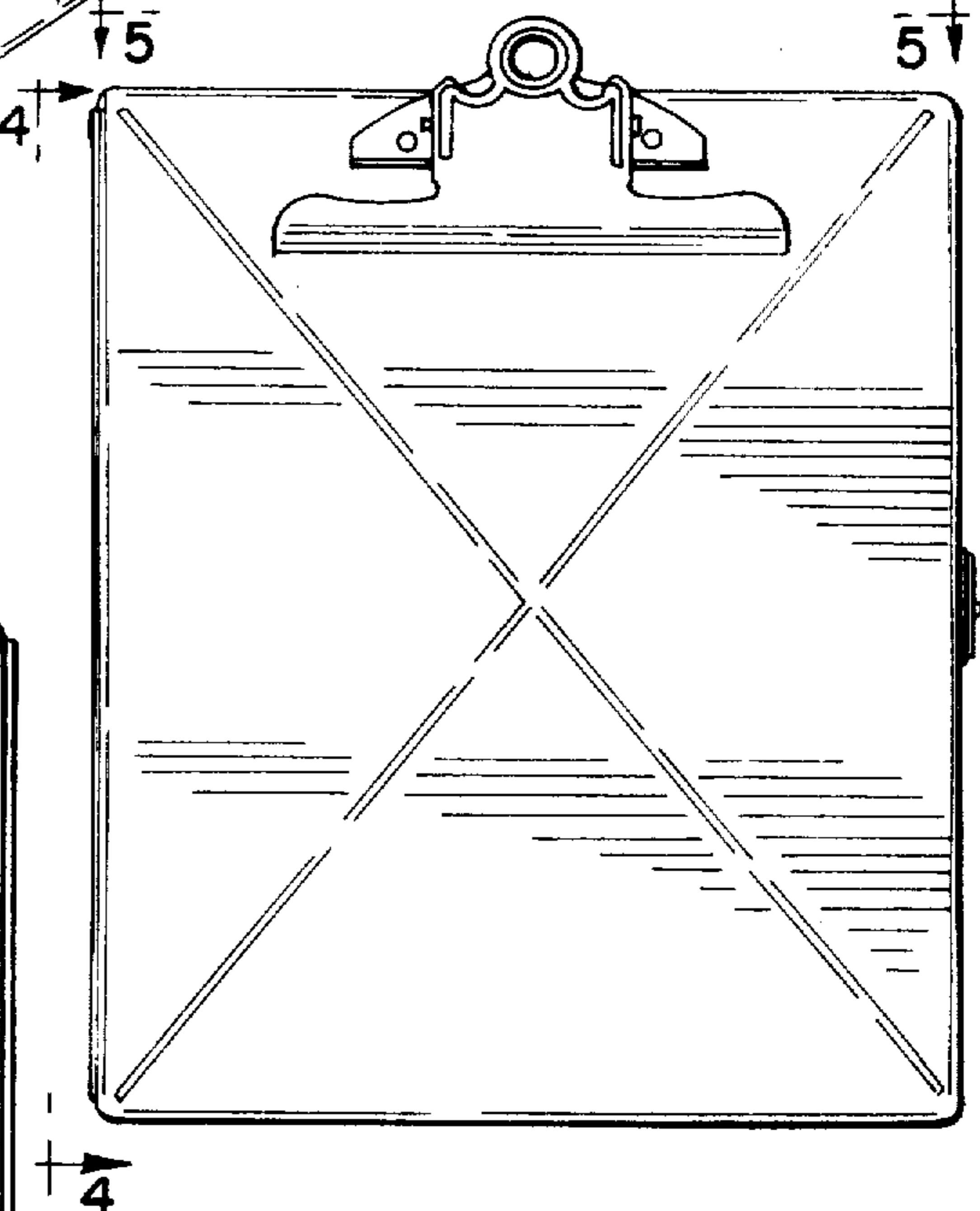


FIG-3

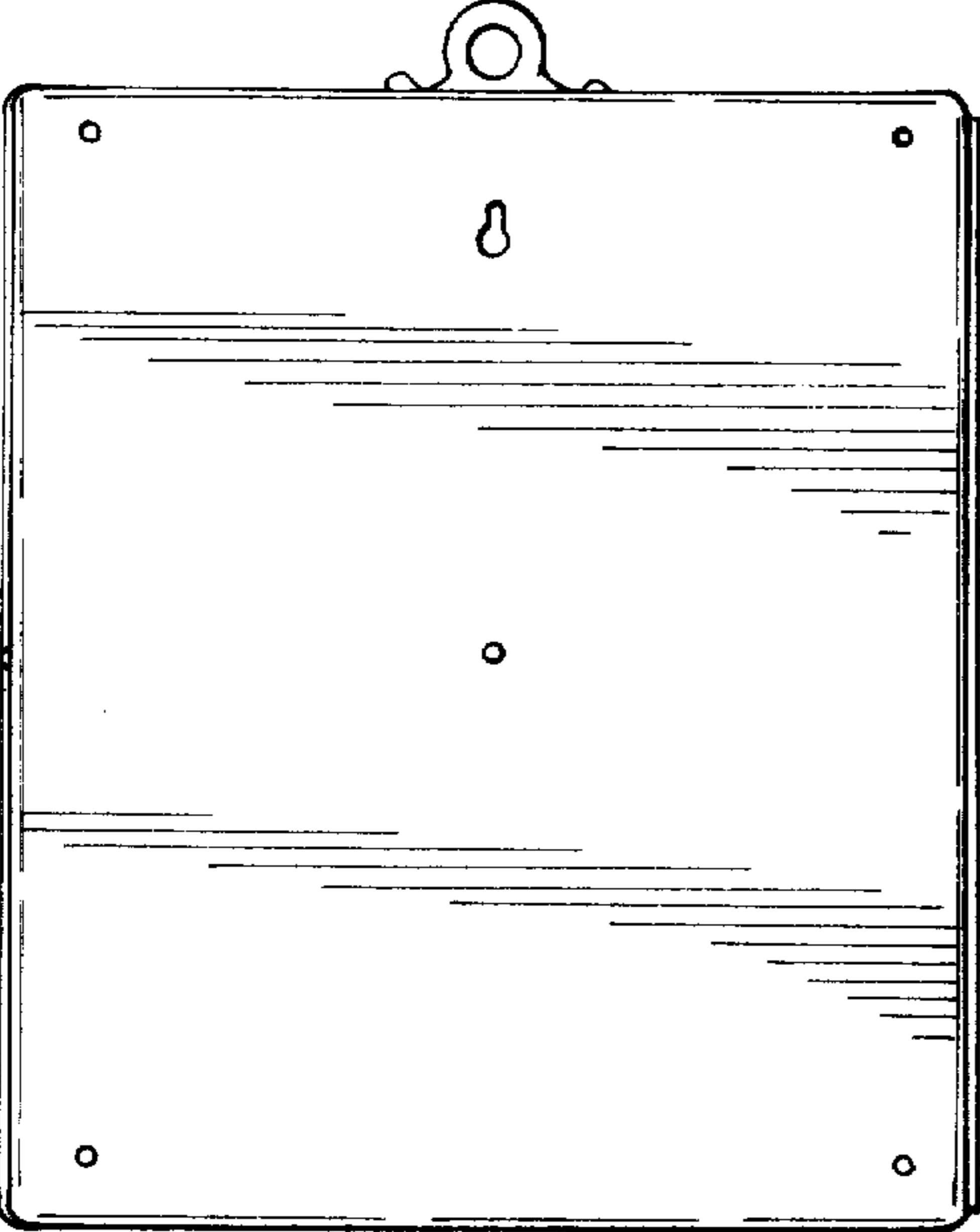


FIG-5

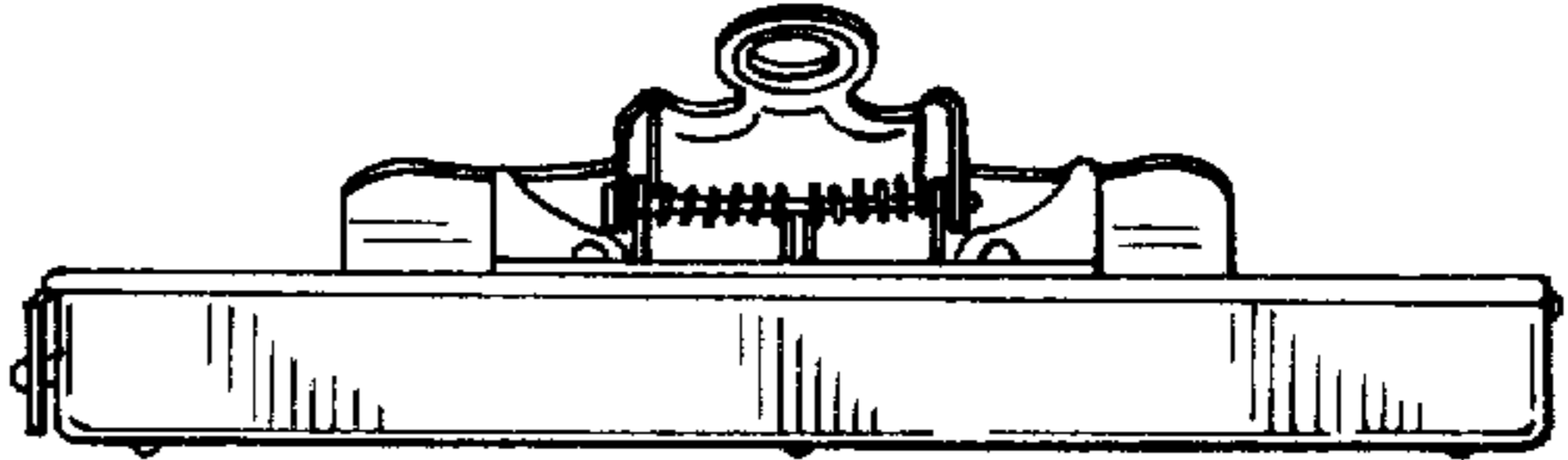


FIG-4



FIG-6-

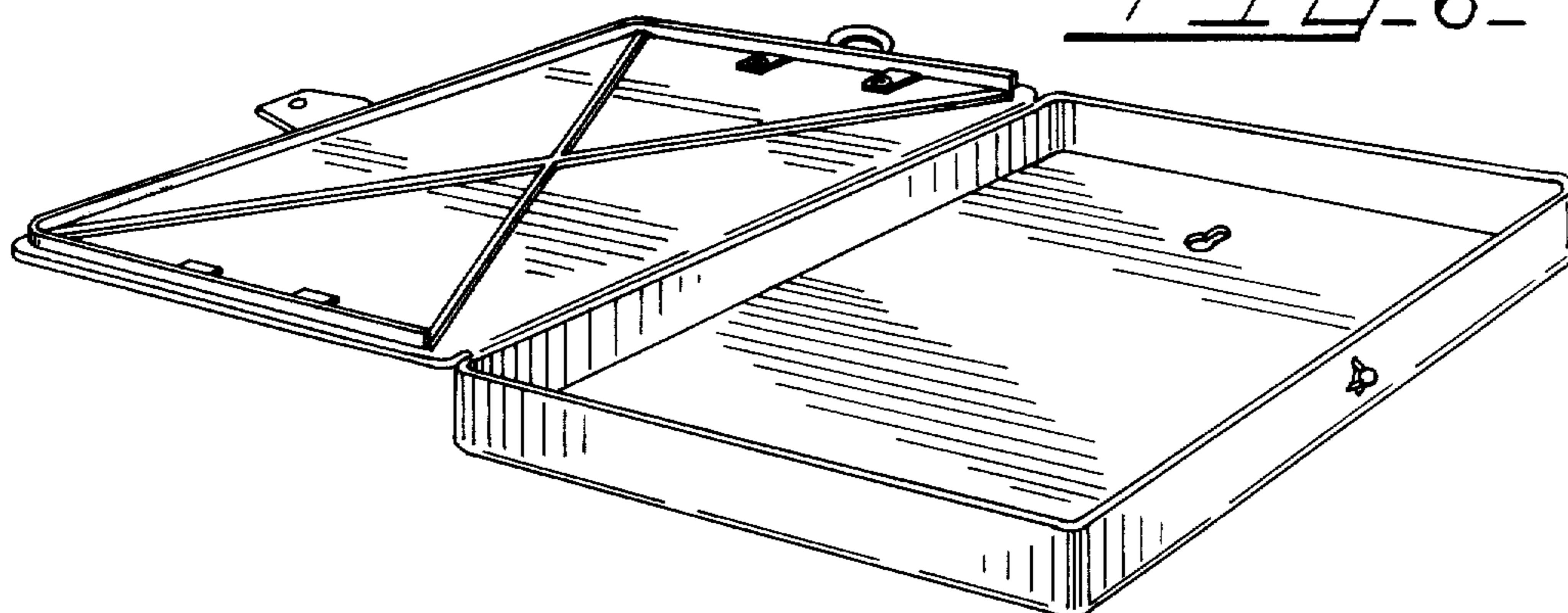


FIG-7-

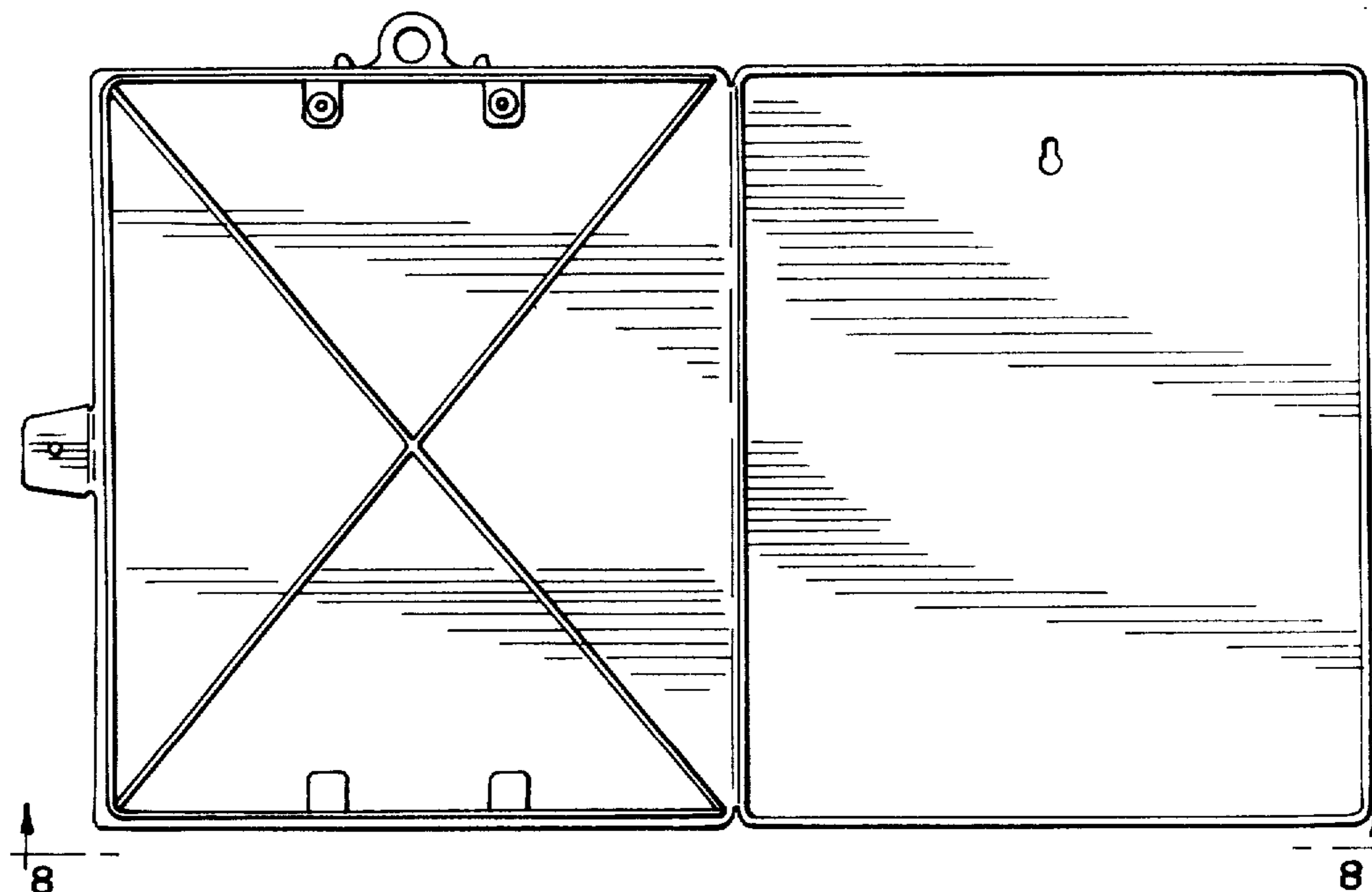


FIG-8-

