

[54] PROJECTION SYSTEM

[75] Inventor: Peter J. Frisella, St. Louis County, Mo.  
[73] Assignee: Scottie Graphics Inc., St. Louis, Mo.  
[\*\*] Term: 14 Years  
[21] Appl. No.: 78,575  
[22] Filed: Sep. 24, 1979

Related U.S. Application Data

[63] Continuation of Ser. No. 830,485, Sep. 6, 1977.  
[51] Int. Cl. .... D16-02  
[52] U.S. Cl. .... D16/20; D16/25  
[58] Field of Search .... D16/11, 15, 20, 24, D16/25, 26; 353/29, 30, 31, 40, 44, 63-67, 69, 71, 79, 119, 121; 40/364, 365

[56]

References Cited

U.S. PATENT DOCUMENTS

2,474,055 6/1949 Lacey ..... 353/79  
3,472,587 10/1969 Liguori ..... 353/44  
3,950,085 4/1976 Grimm ..... 353/44

Primary Examiner—Peter M. Caun  
Attorney, Agent, or Firm—Kalish & Gilster

[57]

CLAIM

The ornamental design for a projection system, as shown.

DESCRIPTION

FIG. 1 is a side elevational view of the projection system showing my new design;  
FIG. 2 is a front elevational view thereof;  
FIG. 3 is an elevational view of the side opposite that shown in FIG. 1;  
FIG. 4 is a rear elevational view thereof;  
FIG. 5 is a top plan view thereof.

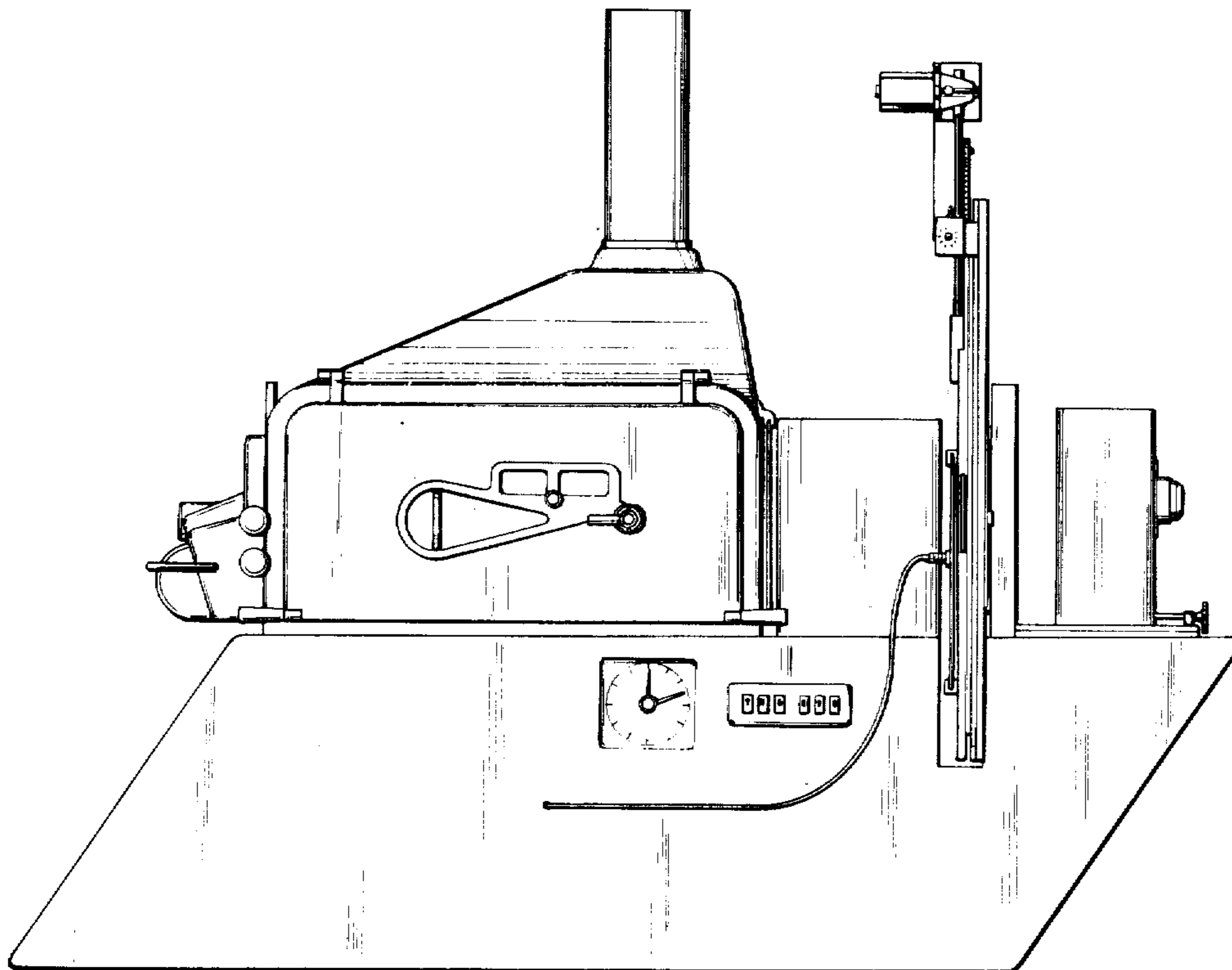


FIG. 2

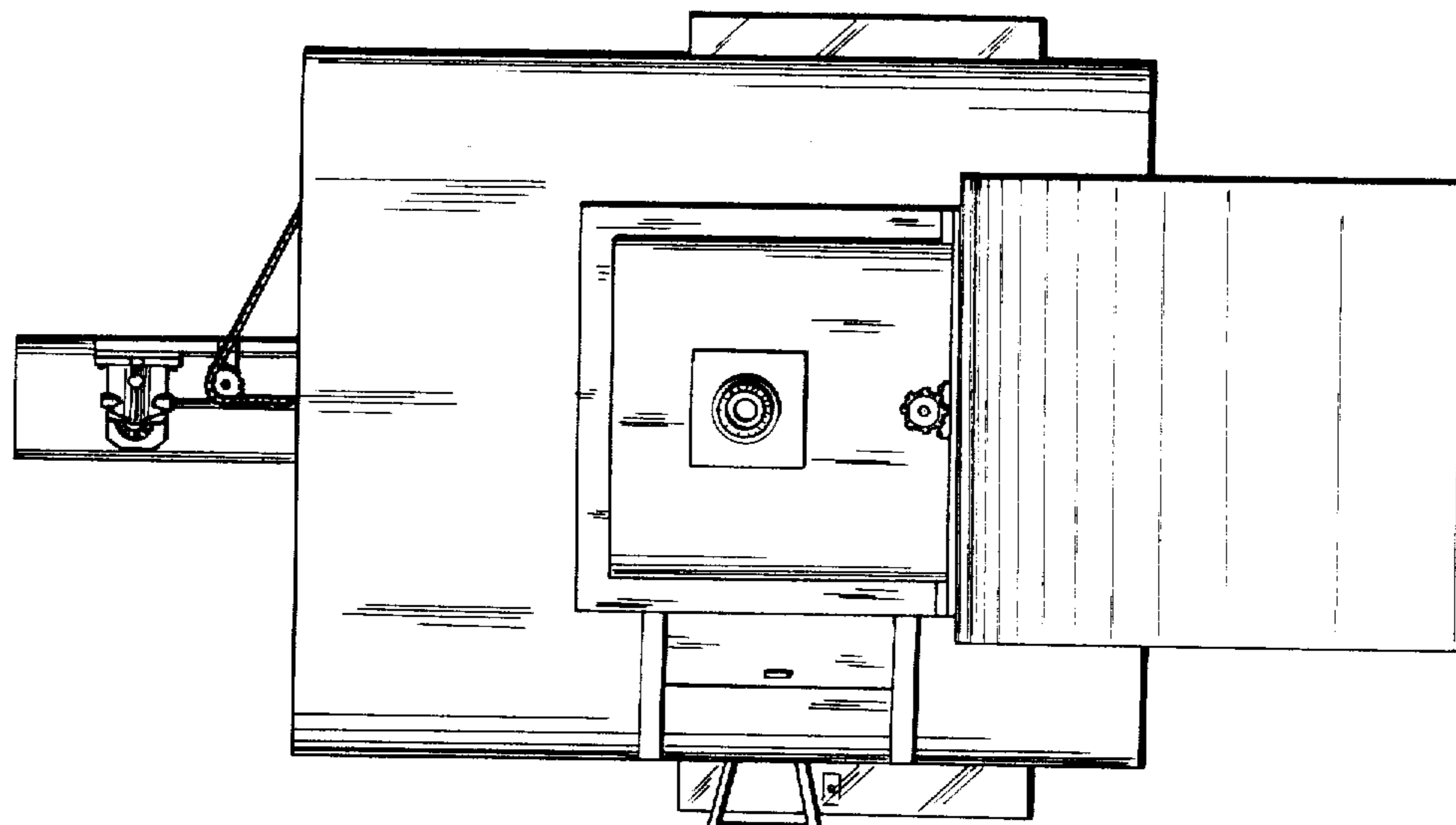


FIG. 1

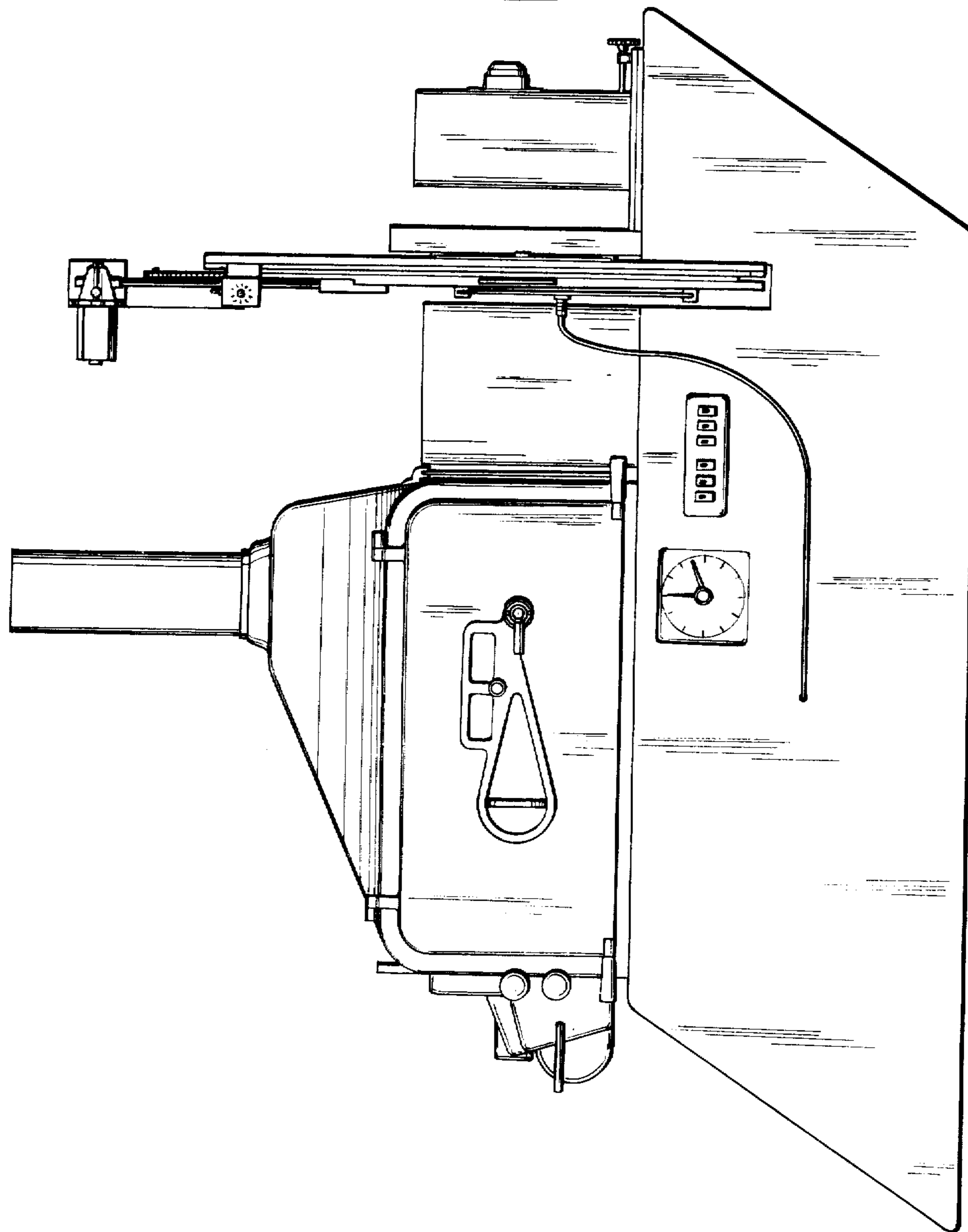


FIG. 4

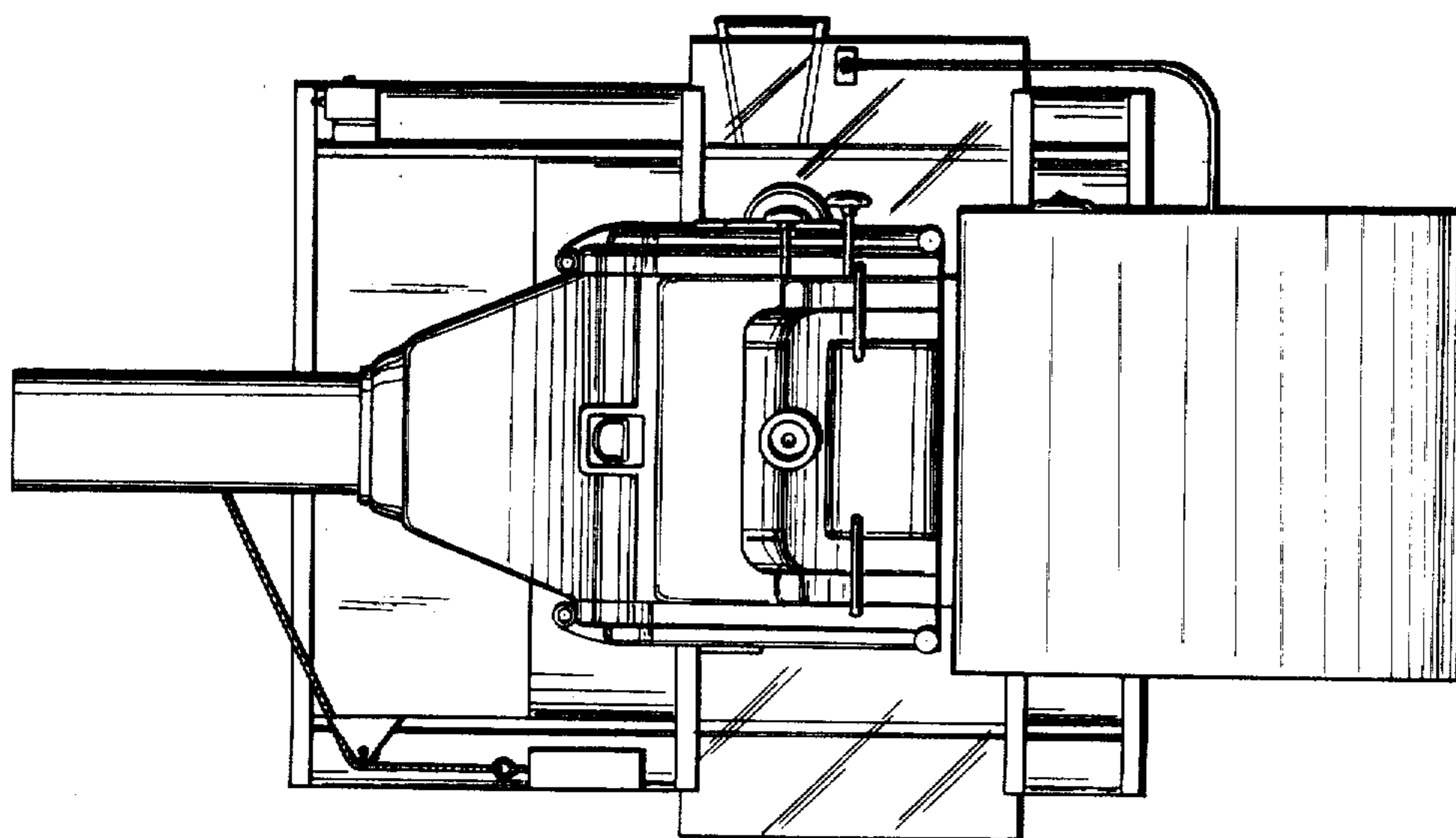


FIG. 3

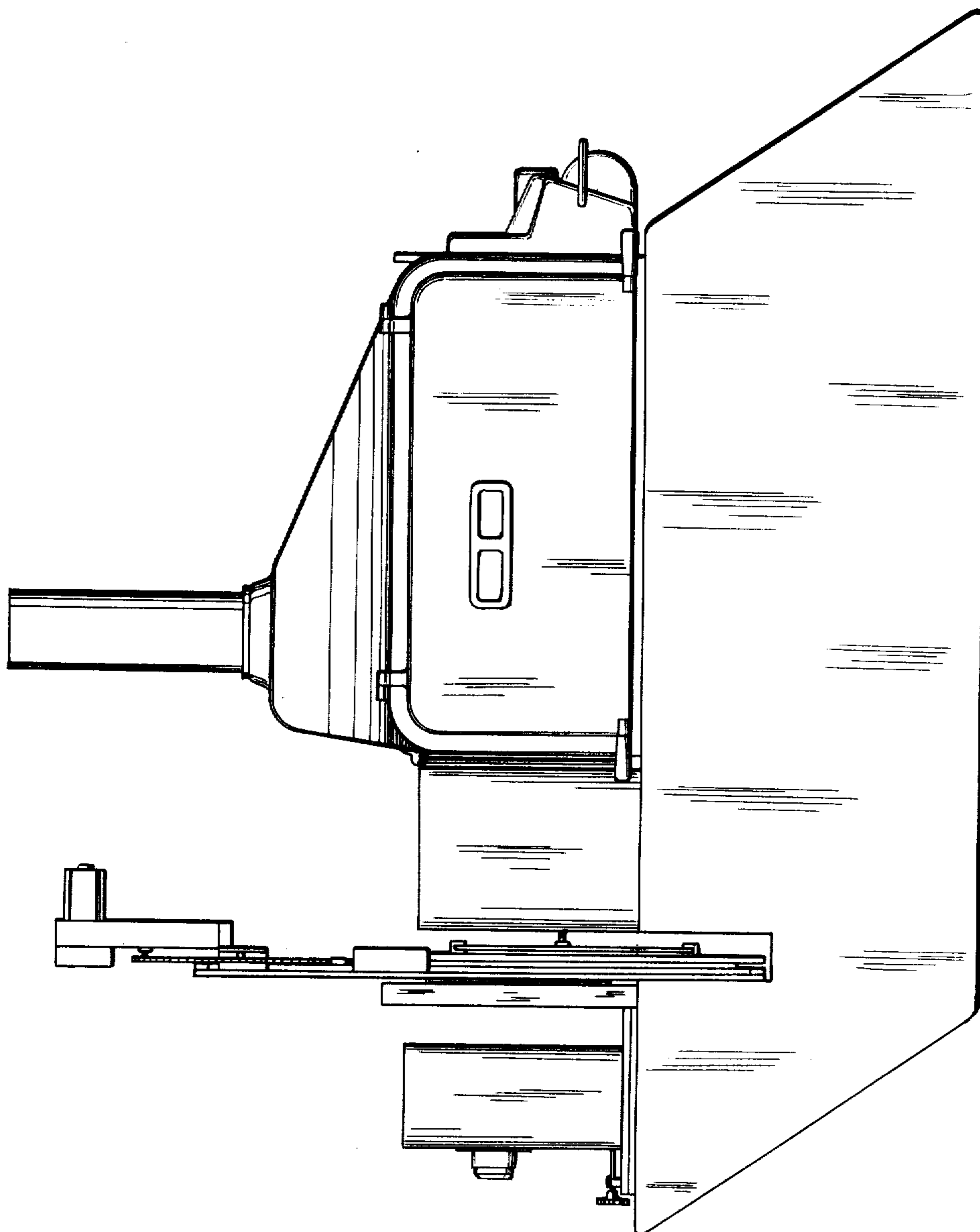


FIG. 5

