

[54] **CAMERA**

[75] **Inventor:** Bodo Mielke, Wolfenbittel, Fed.
Rep. of Germany

[73] **Assignee:** Rollei-Werke Franke & Heidecke,
Fed. Rep. of Germany

[**] **Term:** 14 Years

[21] **Appl. No.:** 75,166

[22] **Filed:** Sep. 12, 1979

[51] **Int. Cl.** D16-01
[52] **U.S. Cl.** D16/6
[58] **Field of Search** D16/1-10

[56]

References Cited

U.S. PATENT DOCUMENTS

D. 233,561 11/1974 Yoshino D16/8
D. 249,949 10/1978 Mielke et al. D16/6

Primary Examiner—Peter M. Caun
Attorney, Agent, or Firm—Staas and Halsey

[57]

CLAIM

The ornamental design for a camera, as shown.

DESCRIPTION

FIG. 1 is a front elevational view of a camera showing my new design;
FIG. 2 is a rear elevational view thereof;
FIG. 3 is a left side elevational view thereof;
FIG. 4 is a right side elevational view thereof;
FIG. 5 is a top plan view thereof;
FIG. 6 is a bottom plan view thereof;
FIG. 7 is a front perspective view thereof; and
FIG. 8 is a rear perspective view thereof.

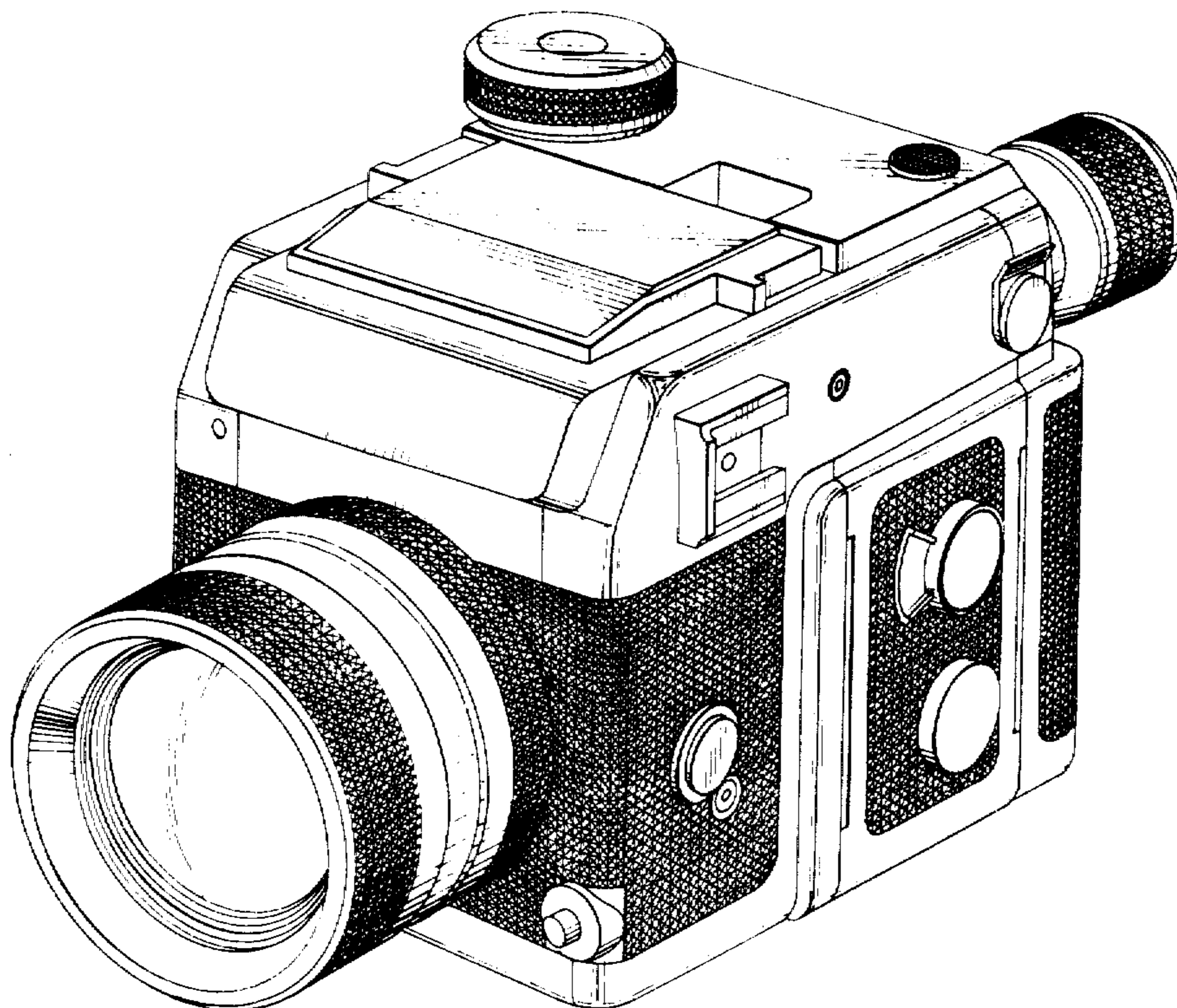


FIG. 1.

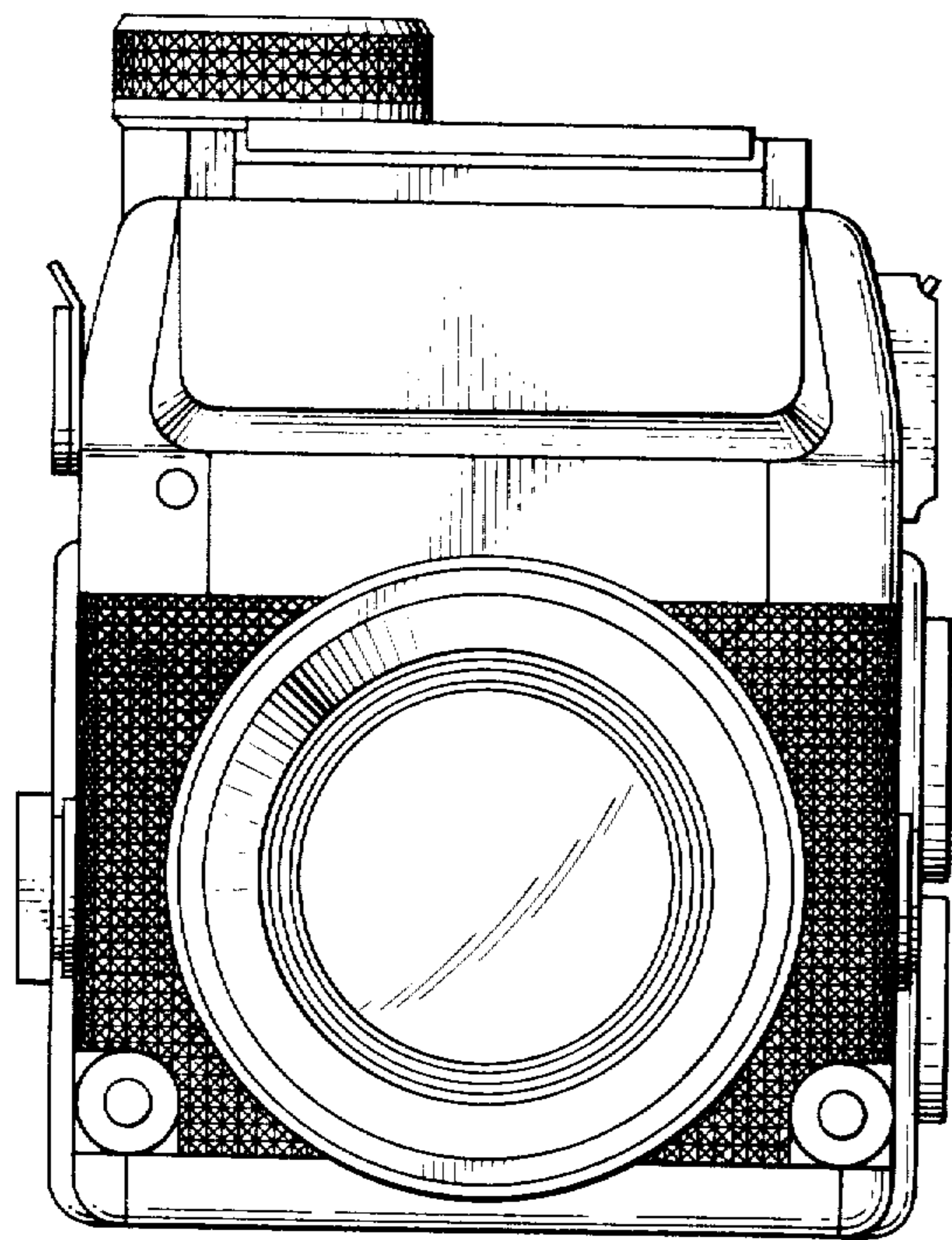


FIG. 2.

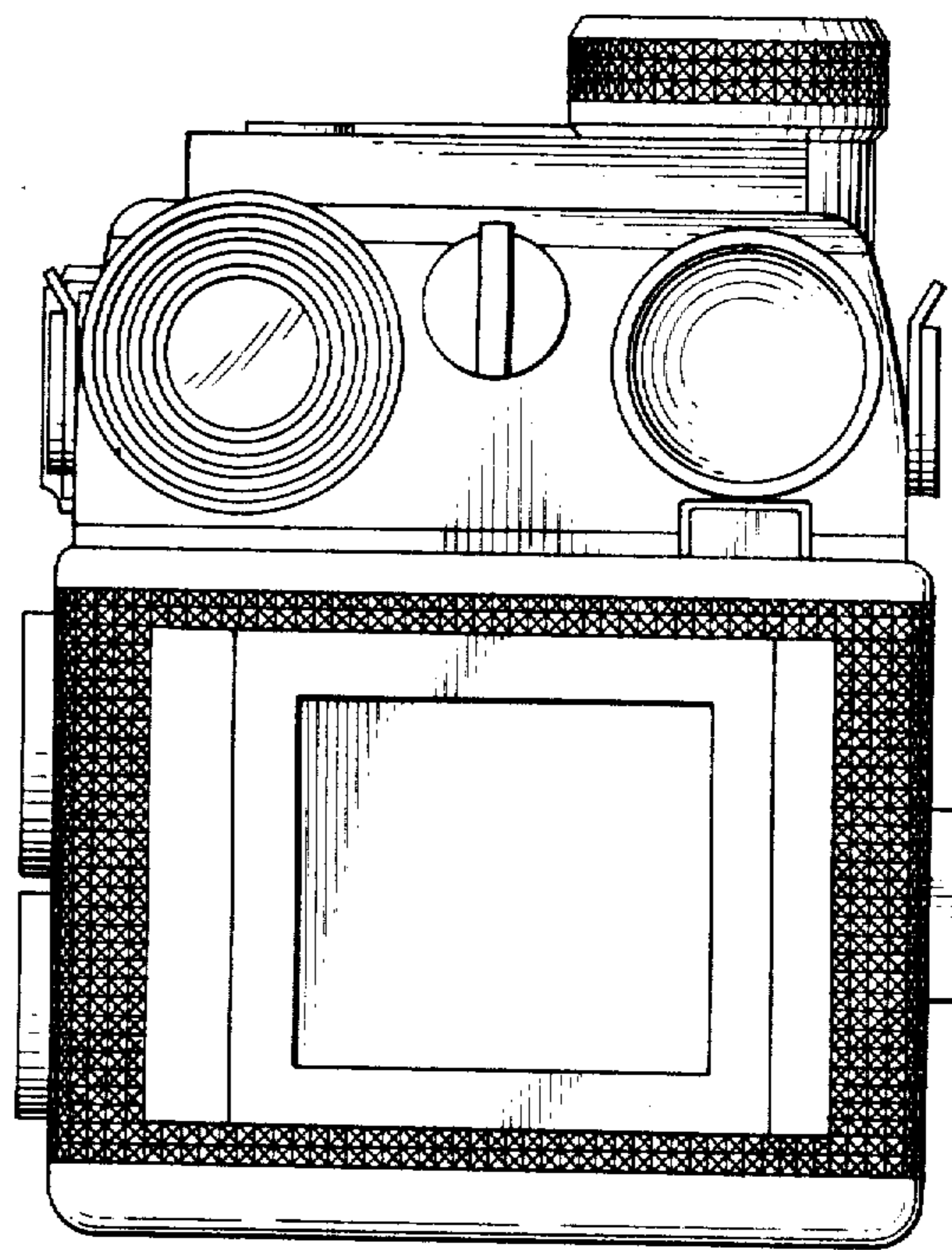


FIG. 3.

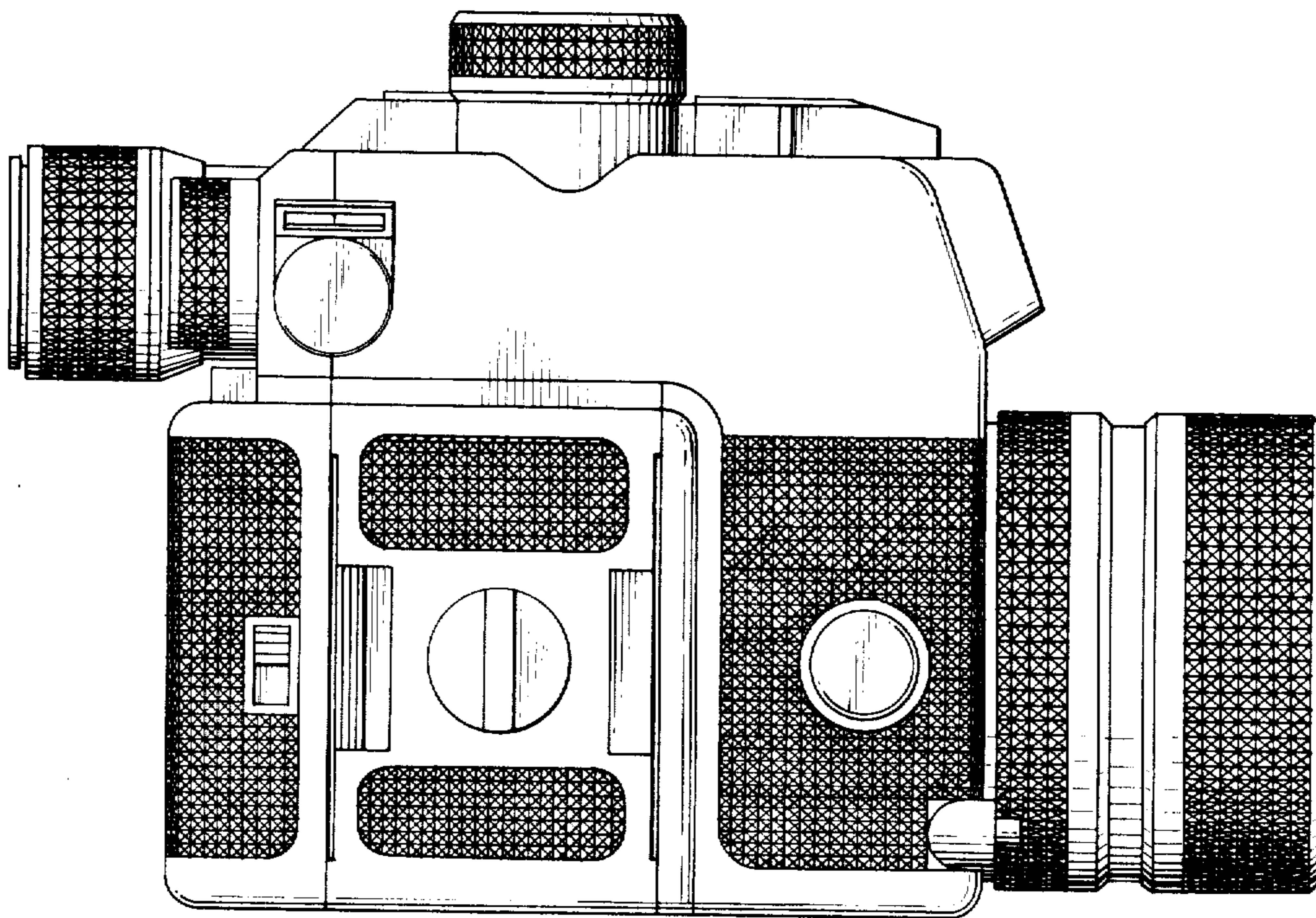


FIG. 4.

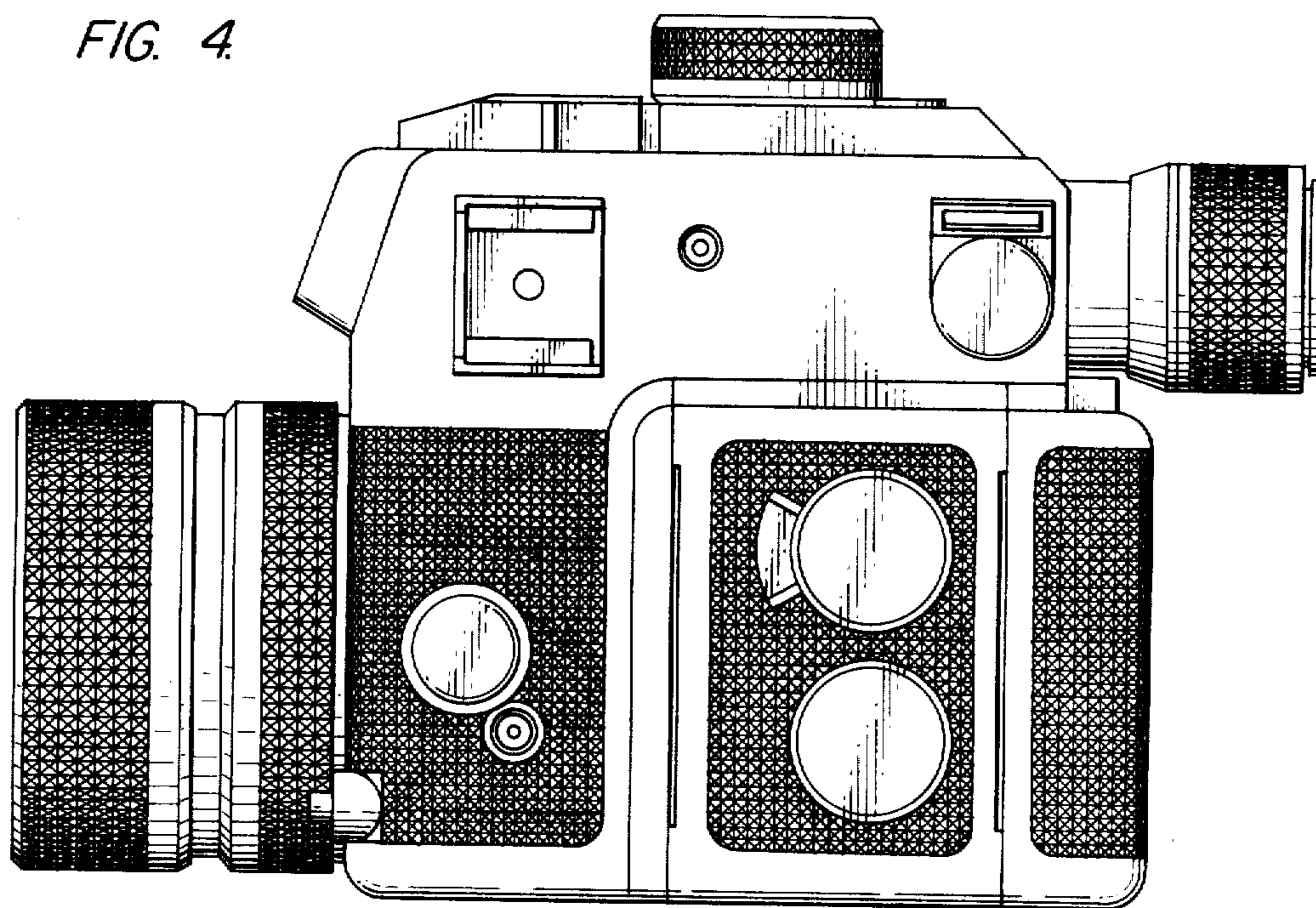


FIG. 5.

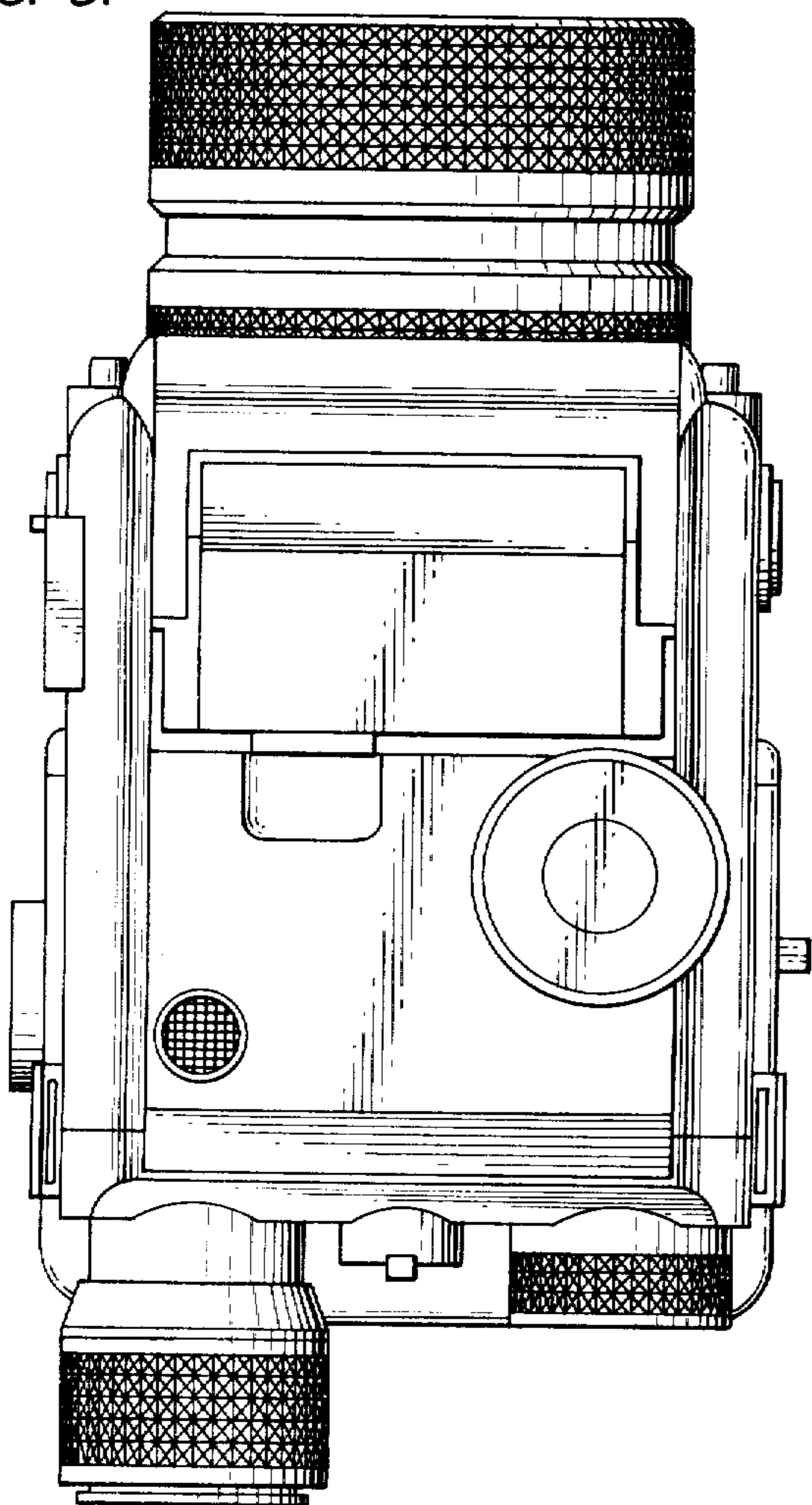


FIG. 6.

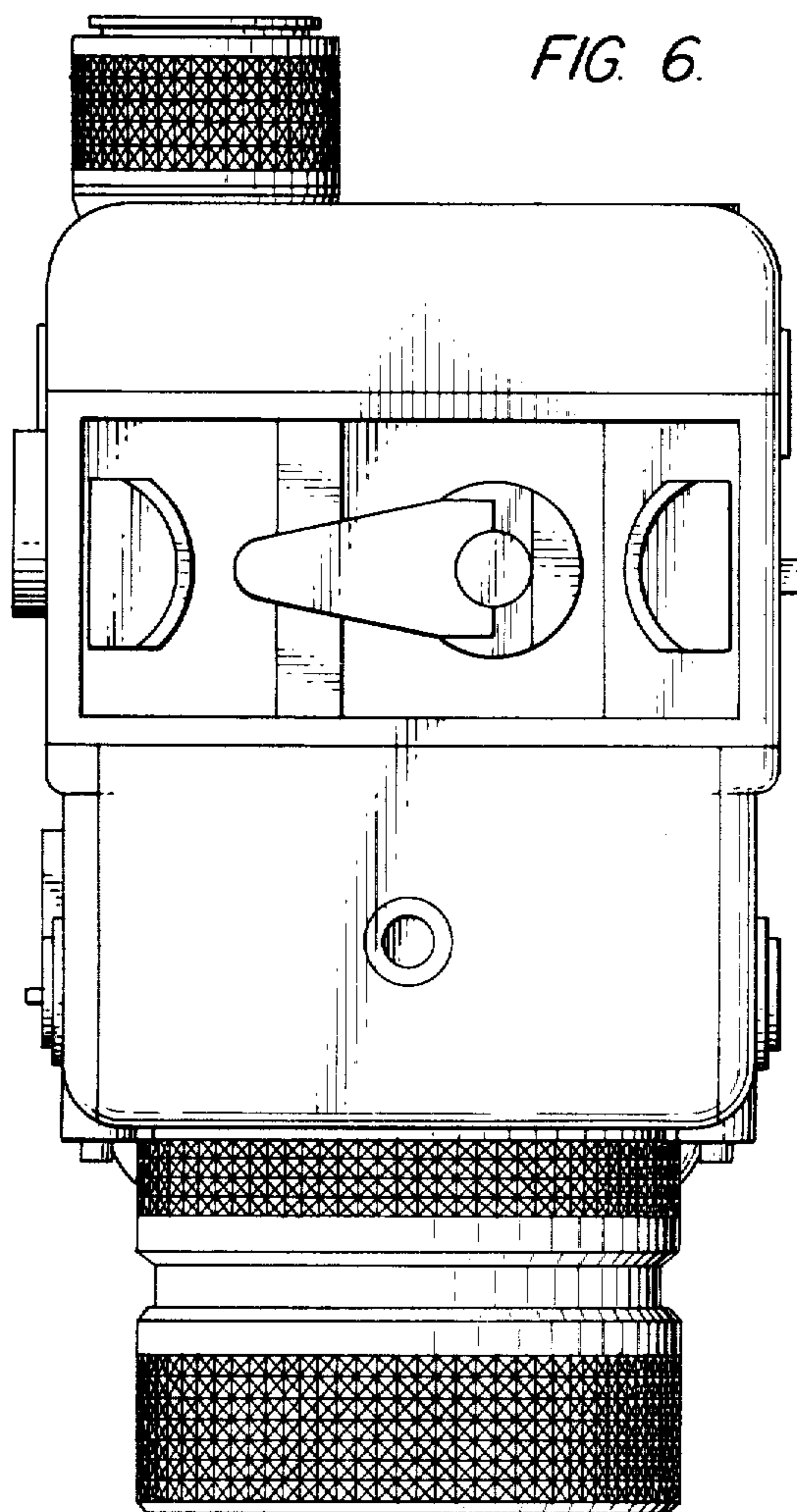


FIG. 7.

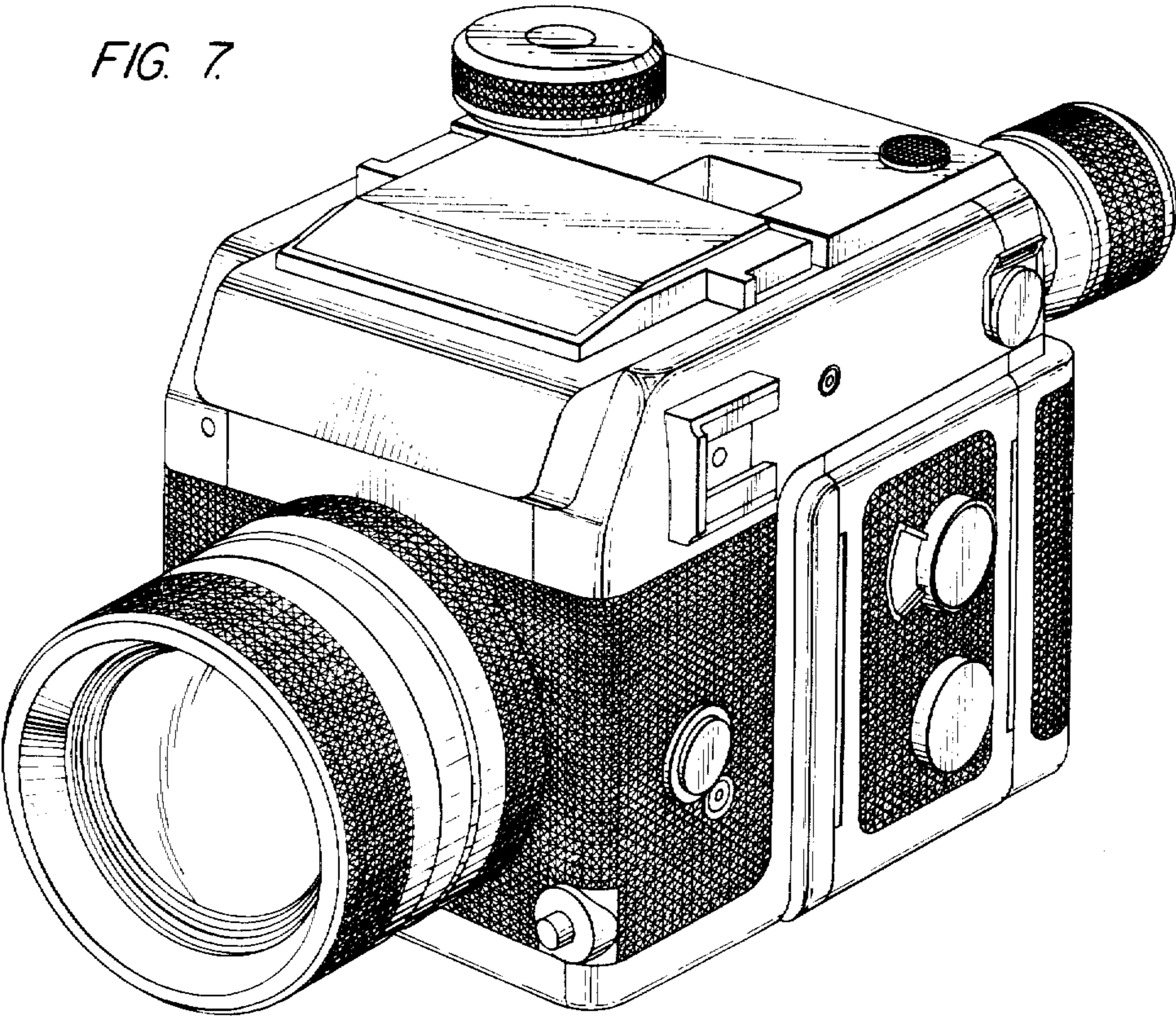


FIG. 8.

