

[54] REFRIGERATOR WINE RACK

[75] Inventors: Dennis M. Thompson, Fairfax; George E. Thompson, III, San Francisco, both of Calif.

[73] Assignee: Ursus Enterprises Ltd., San Francisco, Calif.

[\*\*] Term: 14 Years

[21] Appl. No.: 78,010

[22] Filed: Sep. 24, 1979

[51] Int. Cl. .... D15-07

[52] U.S. Cl. .... D15/89; D7/71; D6/188; D6/189

[58] Field of Search ..... D15/89; D7/71; D6/114, D6/130, 188, 189; 211/75, 74, 88

[56] References Cited

U.S. PATENT DOCUMENTS

- D. 81,180 5/1930 Danco ..... D6/188
- D. 228,858 10/1973 Wagschal ..... D6/188
- D. 248,267 6/1978 Mitchell ..... D6/188

FOREIGN PATENT DOCUMENTS

- 239090 3/1965 Austria ..... 211/74
- 1012259 12/1965 United Kingdom ..... 211/74

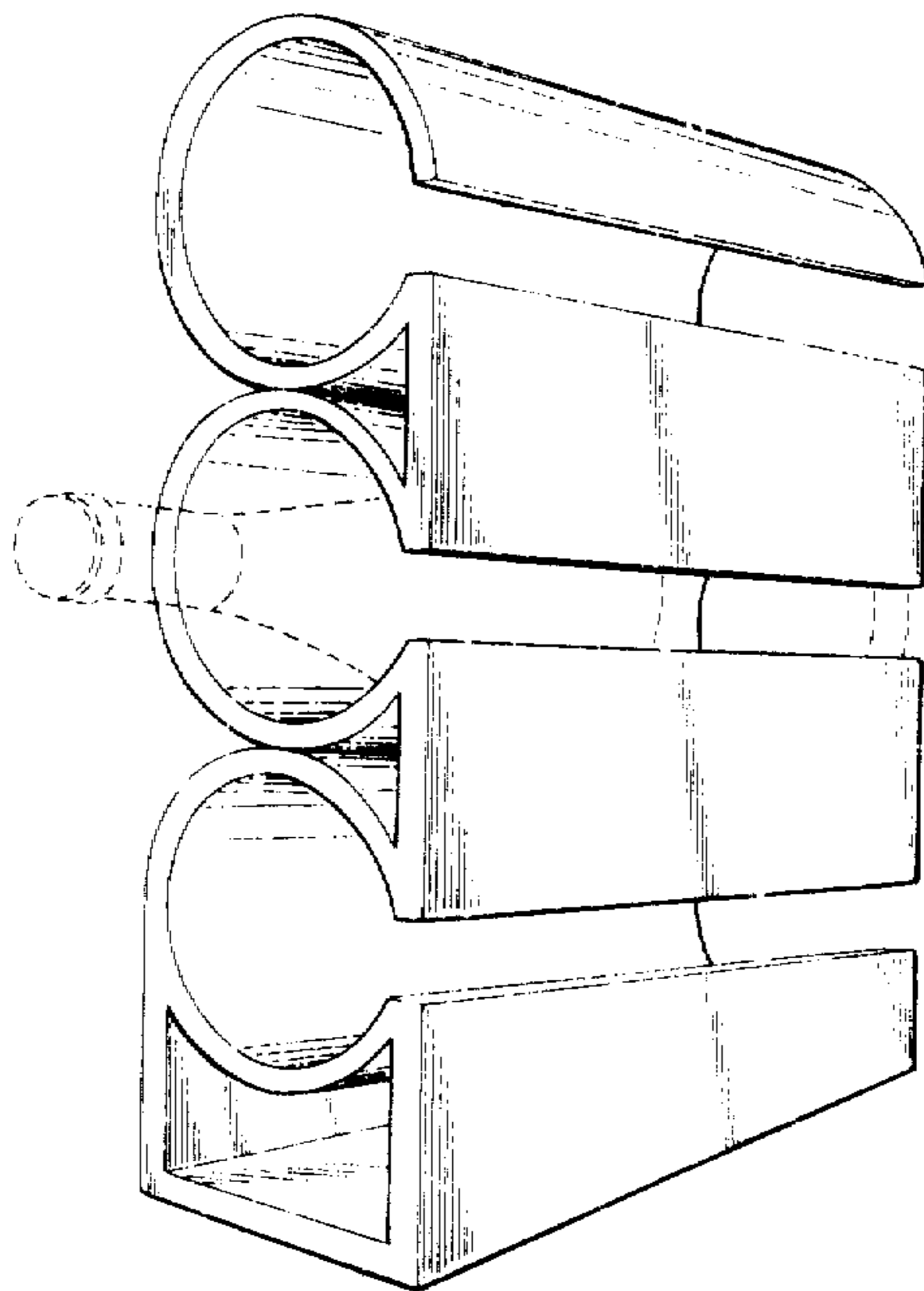
Primary Examiner—James M. Gandy  
Attorney, Agent, or Firm—Limbach, Limbach & Sutton

[57] CLAIM

The ornamental design for a refrigerator wine rack, as shown and described.

DESCRIPTION

FIG. 1 is a perspective view of a refrigerator wine rack showing our new design, it being understood that the broken lines are for illustrative purposes only;  
 FIG. 2 is a top plan view thereof on a reduced scale;  
 FIG. 3 is a front elevational view thereof on a reduced scale;  
 FIG. 4 is a side elevational view thereof on a reduced scale;  
 FIG. 5 is a rear elevational view thereof on a reduced scale;  
 FIG. 6 is a side elevational view thereof on a reduced scale showing the side opposite to that shown in FIG. 4; and  
 FIG. 7 is a bottom plan view thereof on a reduced scale.



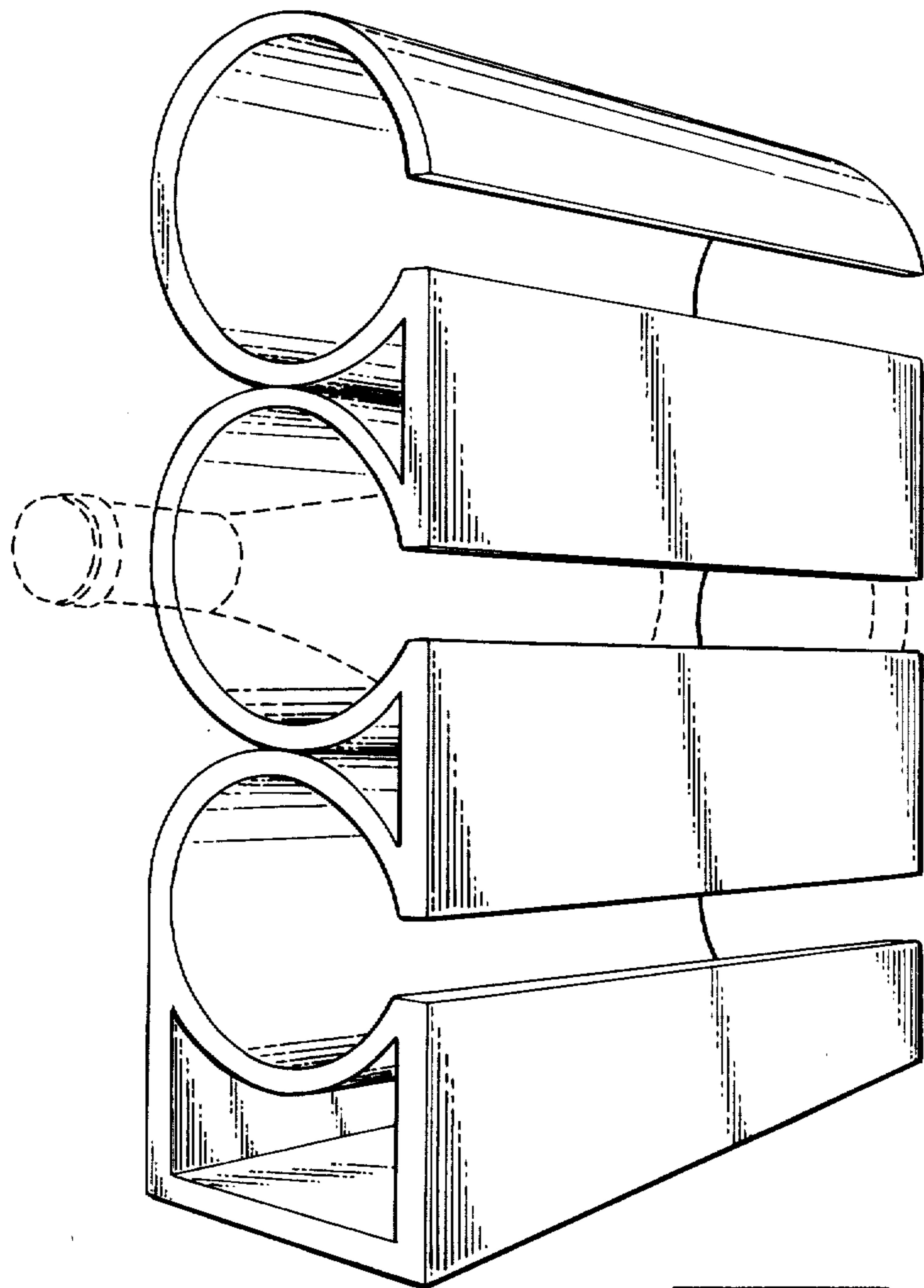


FIG. 1.

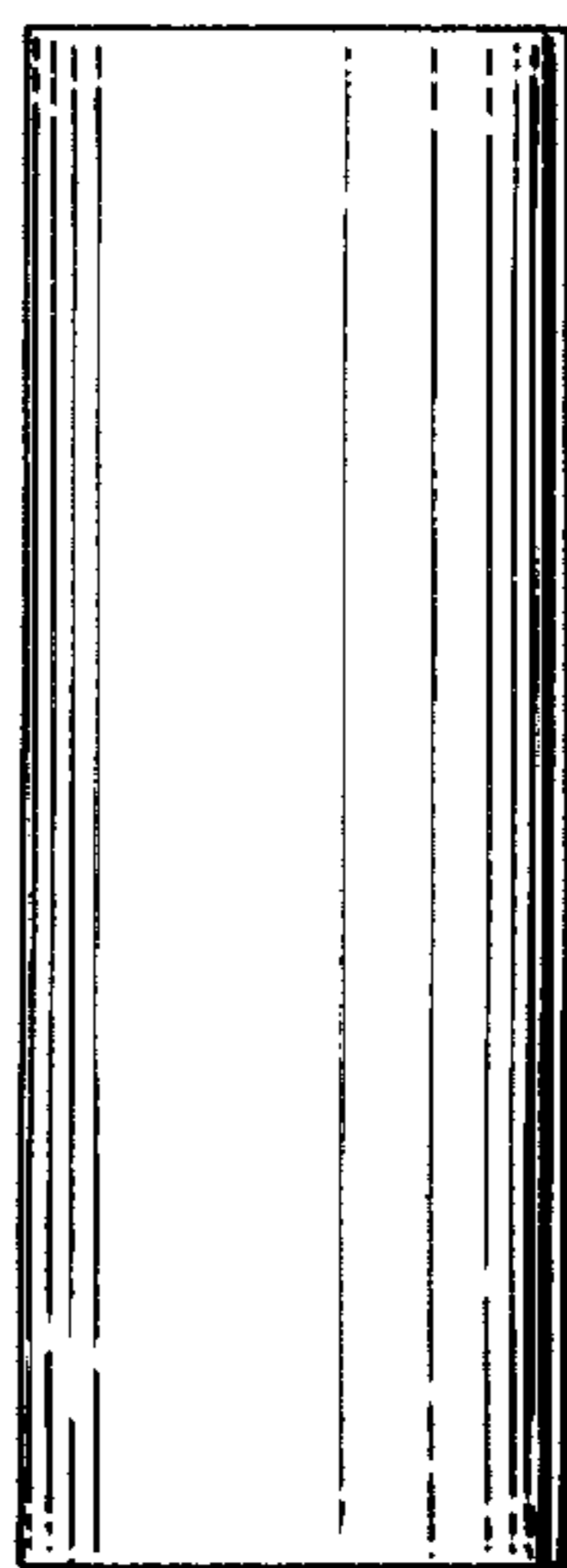


FIG. 2.

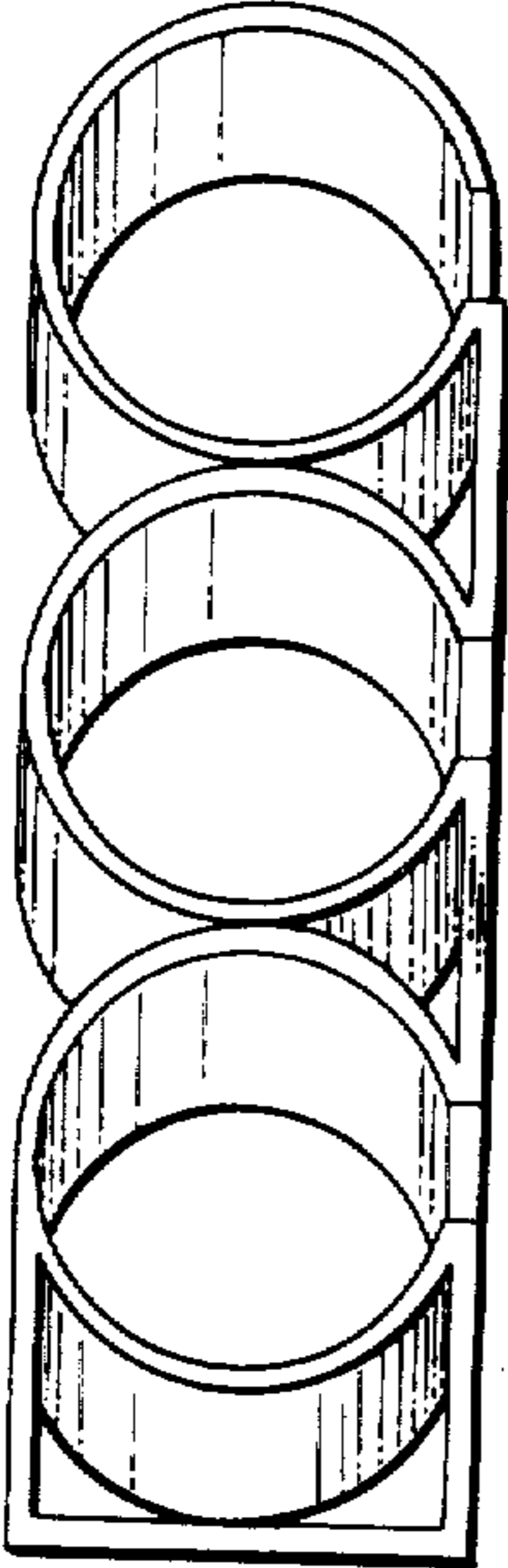


FIG.\_3.

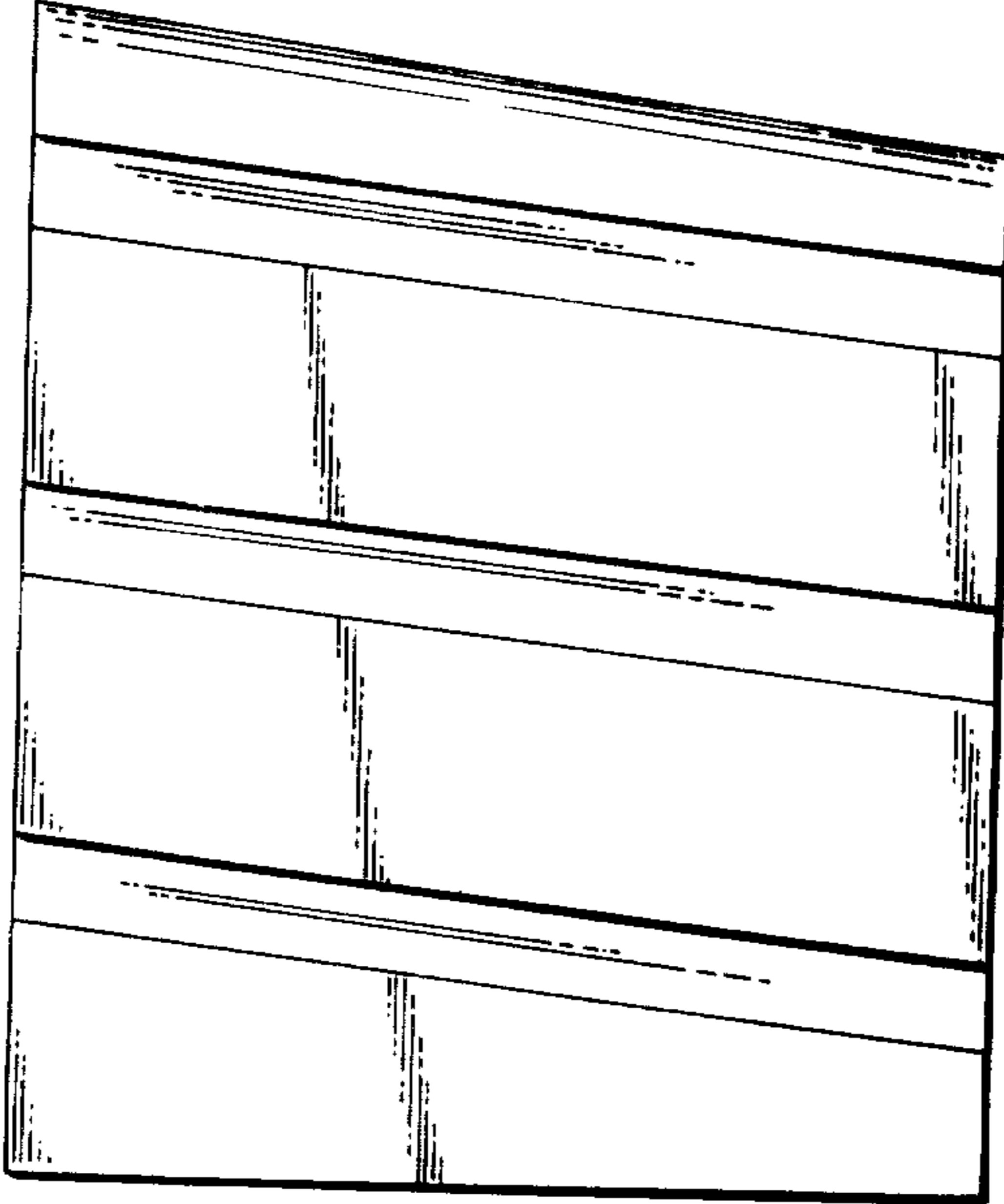


FIG.\_4.

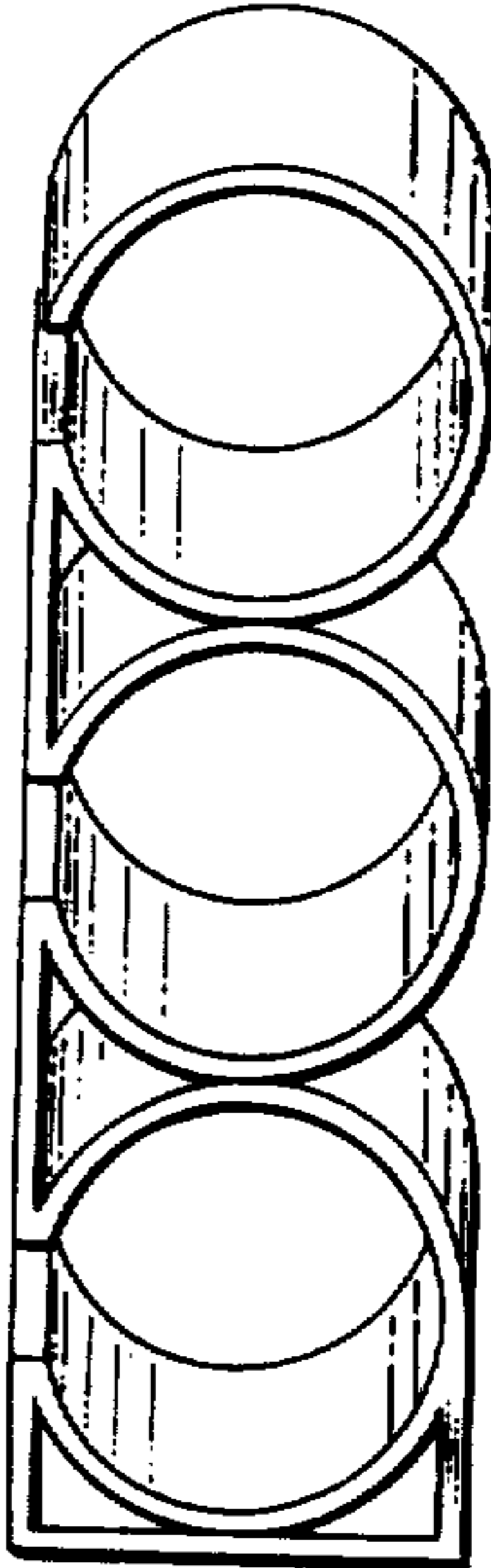


FIG.\_5.

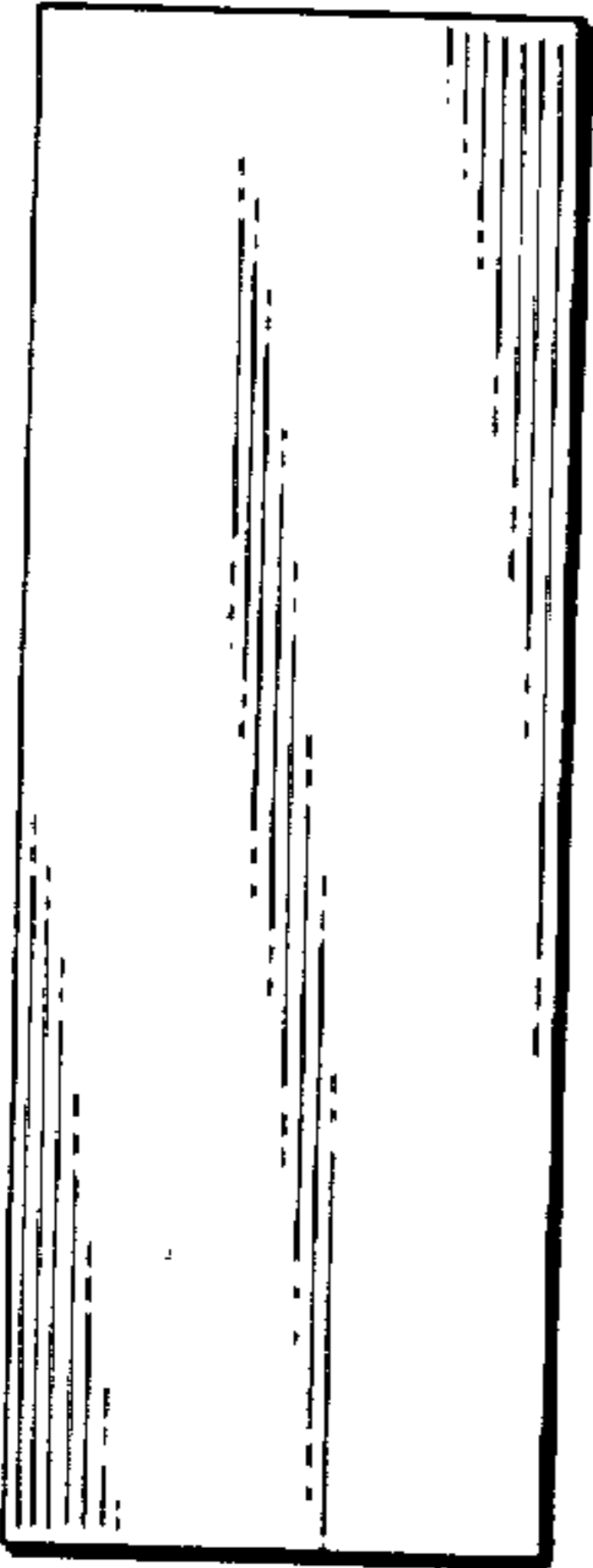


FIG.\_7.

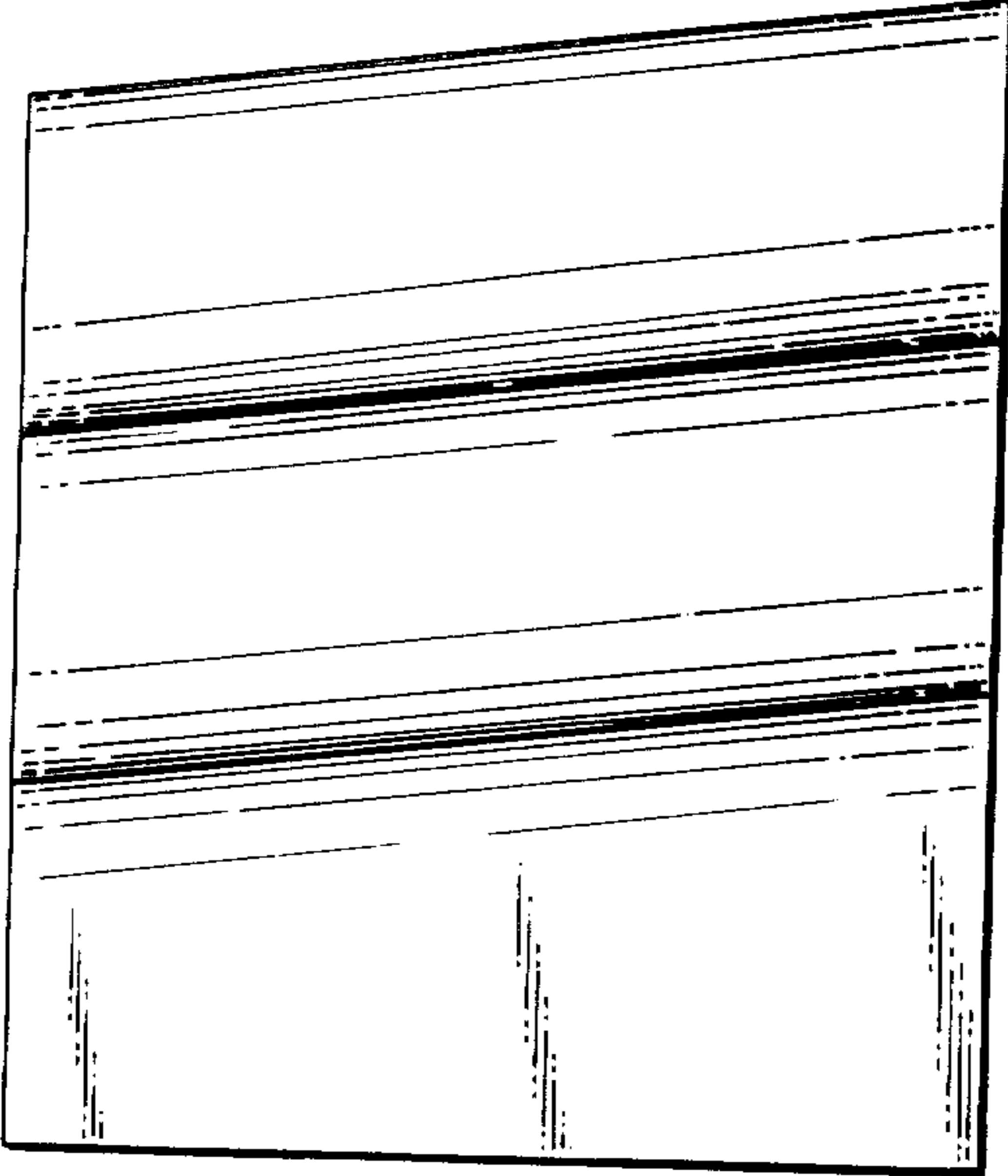


FIG.\_6.