

[54] MOWER-CODITIONER

[75] Inventors: George B. Cicci, Burr Ridge; Thomas J. Scarnato, Barrington, both of Ill.

[73] Assignee: International Harvester Company, Chicago, Ill.

[**] Term: 14 Years

[21] Appl. No.: 8,009

[22] Filed: Jan. 31, 1979

[51] Int. Cl. D15-03

[52] U.S. Cl. D15/27; D15/26

[58] Field of Search D15/26, 27; 56/DIG. 1, 56/14.4, 192

[56] References Cited

U.S. PATENT DOCUMENTS

- D. 204,995 6/1966 Kermes et al. D15/27
- D. 208,156 7/1967 Burrough et al. D15/27
- D. 217,276 4/1970 Kermes et al. D15/27

- D. 233,059 10/1974 Sawyer et al. D15/27
- 3,474,601 10/1969 Burrough et al. 56/DIG. 1
- 3,835,628 9/1974 Case et al. 56/14.4
- 4,175,366 11/1979 Cicci 56/DIG. 1
- 4,177,627 12/1979 Cicci 56/DIG. 1
- 4,187,664 2/1980 Meek et al. 56/192

Primary Examiner—T. Tung

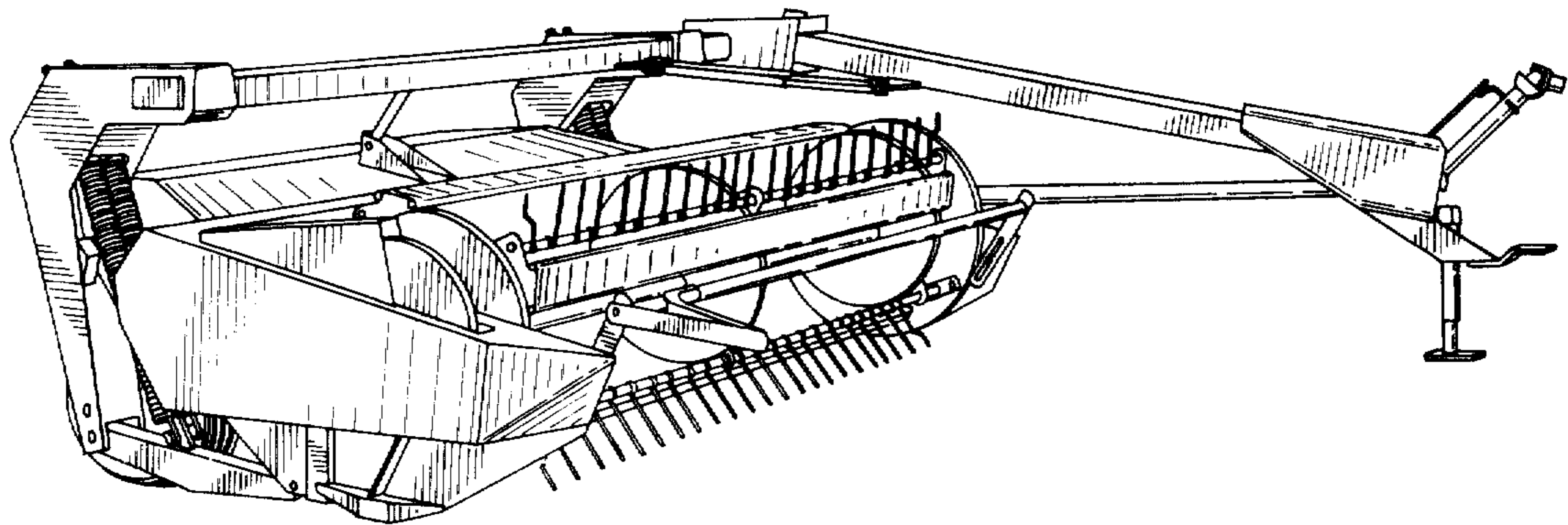
Attorney, Agent, or Firm—Dennis K. Sullivan; F. David AuBuchon

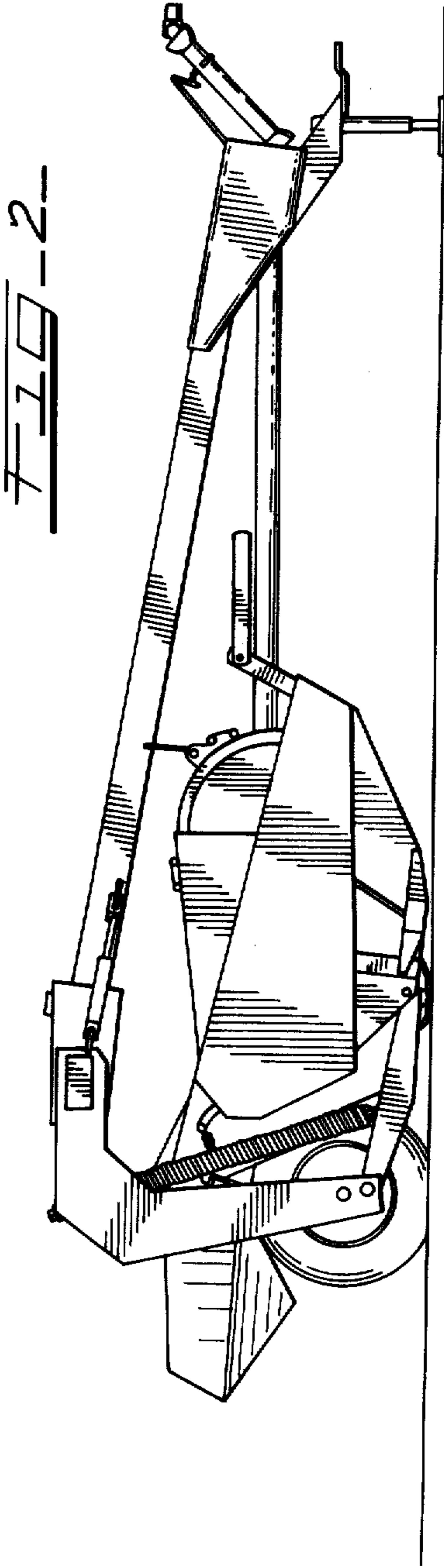
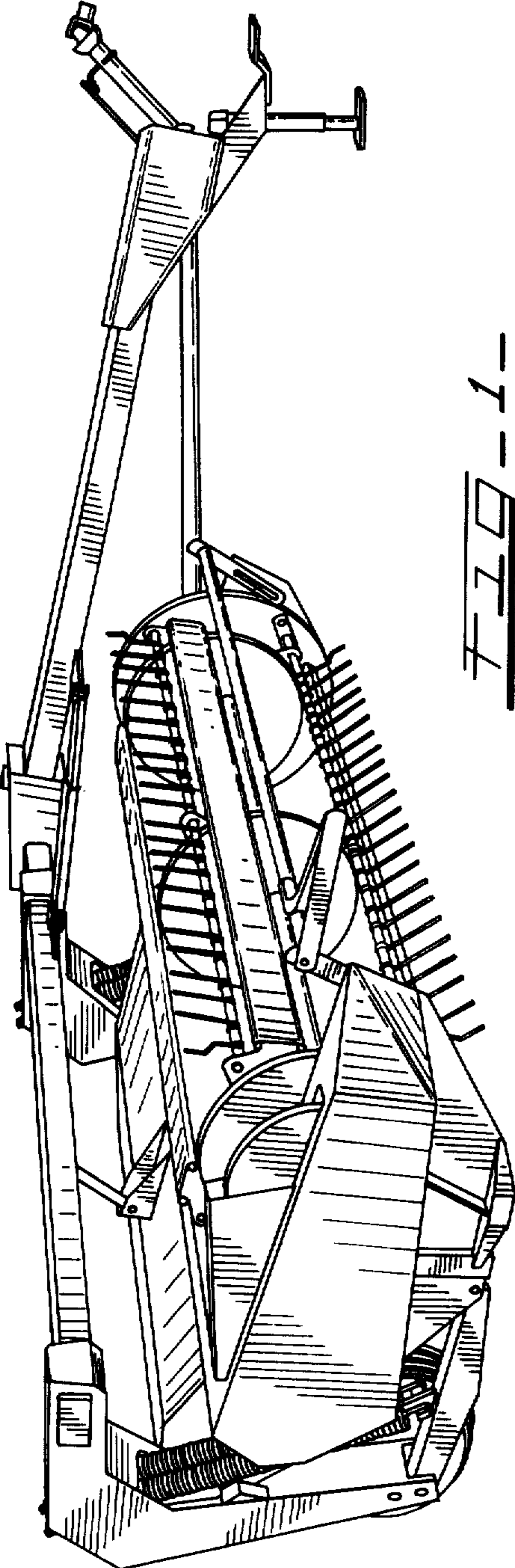
[57] CLAIM

The ornamental design for a mower-conditioner, substantially as shown and described.

DESCRIPTION

FIG. 1 is a front right perspective view of a mower-conditioner embodying our new design;
 FIG. 2 is a right side elevational view thereof;
 FIG. 3 is a top plan view thereof;
 FIG. 4 is a front elevational view thereof;
 FIG. 5 is a left side elevational view thereof; and
 FIG. 6 is a rear elevational view thereof.





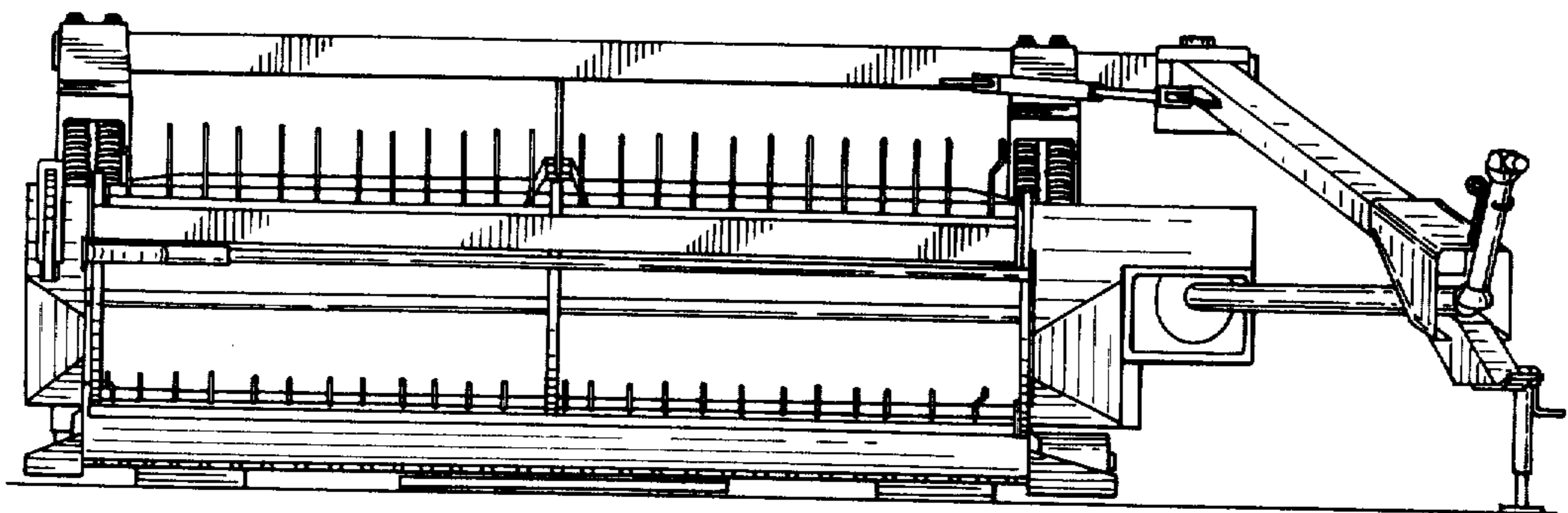
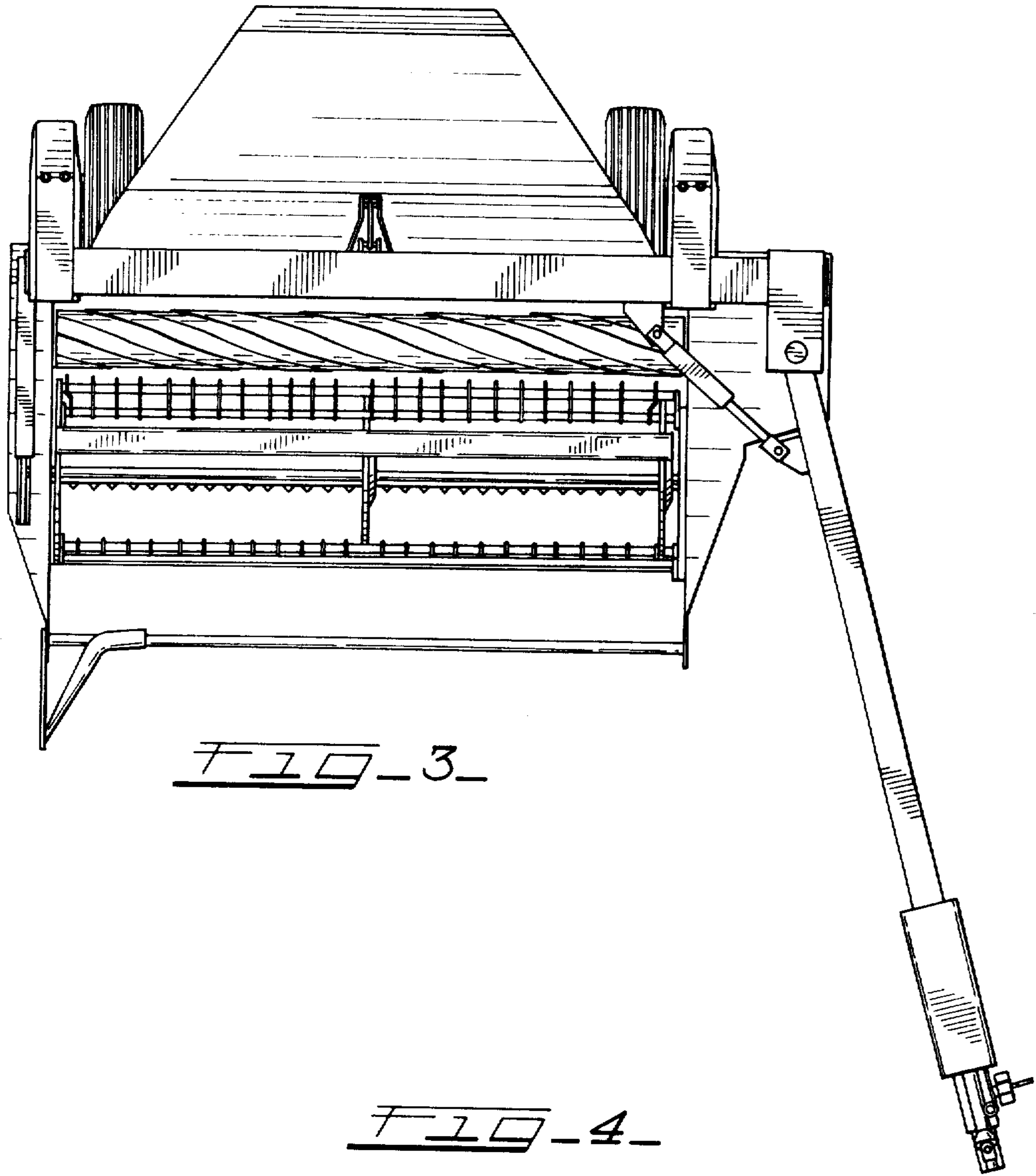


FIG-5-

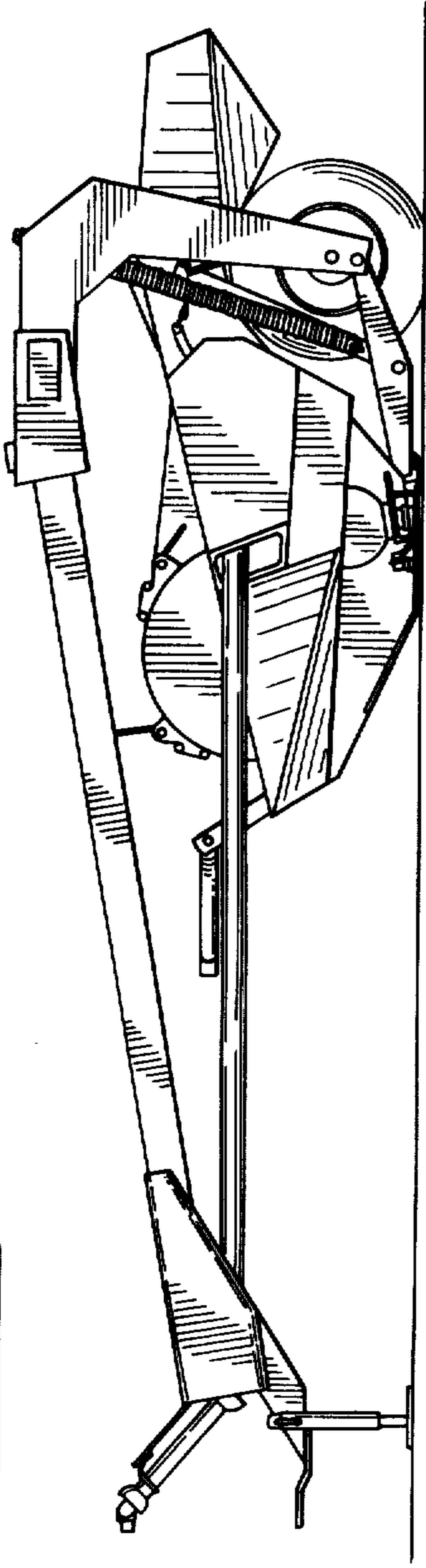


FIG-6-

