

[54] WHEEL

[75] Inventors: **Russell O. Blanchard**, Marshall;  
**Joseph Guzek**, Lansing; **Donald A. Matt**, Bath, all of Mich.

[73] Assignee: **Motor Wheel Corporation**, Lansing, Mich.

[\*\*] Term: **14 Years**

[21] Appl. No.: **5,344**

[22] Filed: **Jan. 22, 1979**

[51] Int. Cl. .... **D12-16**

[52] U.S. Cl. .... **D12/211**

[58] Field of Search ..... **D12/209-211;**  
**301/63 R, 64 R, 64 SD, 65, 66**

[56] **References Cited**

**U.S. PATENT DOCUMENTS**

- D. 215,279 9/1969 Mitchell ..... D12/211
- D. 235,330 6/1975 Gageby ..... D12/209

**OTHER PUBLICATIONS**

Motor Trend, 4/65, p. 28, Wheel No. 3, center left side of page.

Motor Trend, 4/65, p. 30, Wheel No. 1, center left side of page.

*Primary Examiner*—James M. Gandy

*Attorney, Agent, or Firm*—Barnes, Kisselle, Raisch & Choate

[57] **CLAIM**

The ornamental design for a wheel, substantially as shown and described.

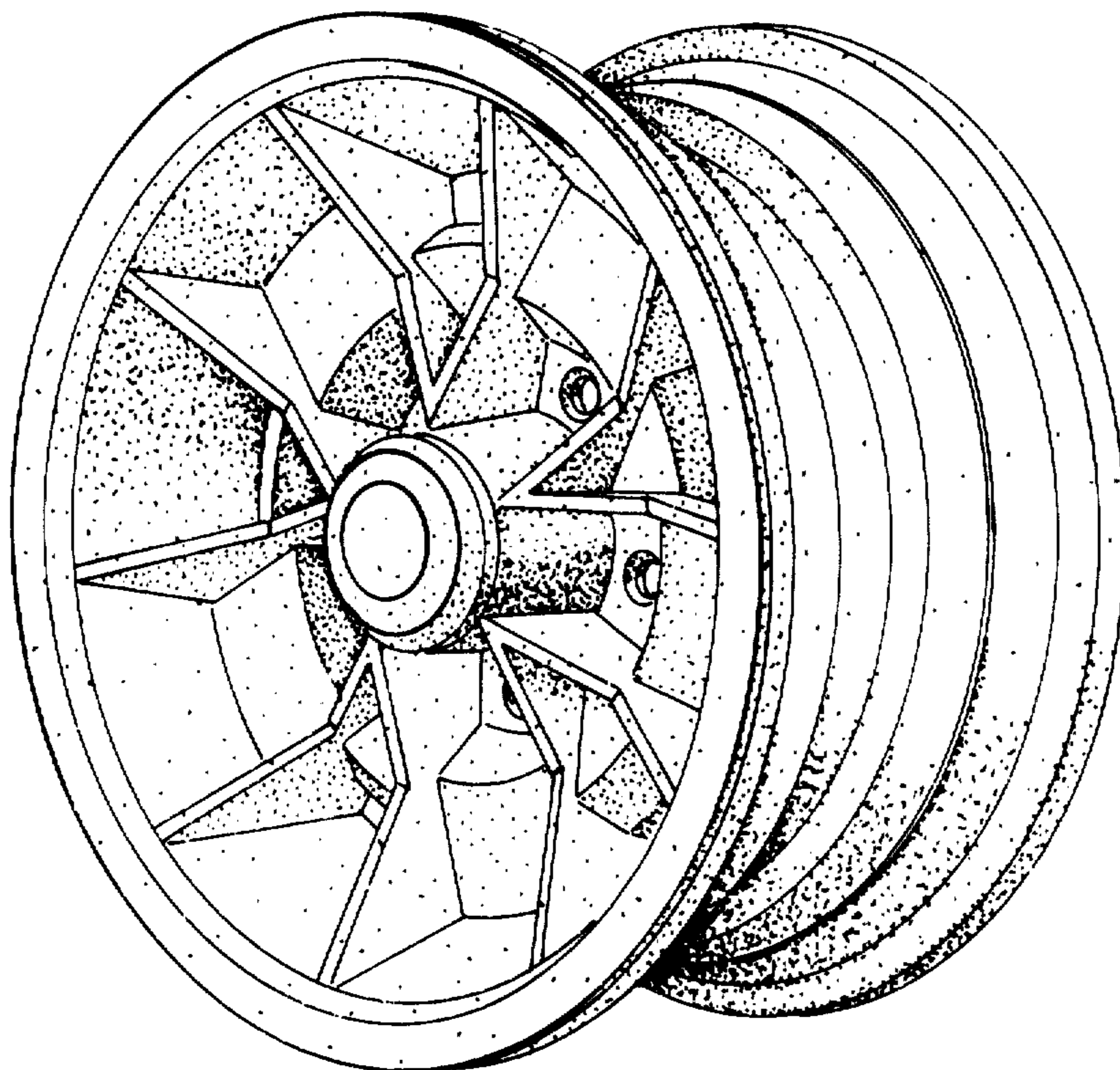
**DESCRIPTION**

FIG. 1 is a front perspective view of a wheel showing our new design.

FIG. 2 is a front elevational view thereof.

FIG. 3 is a sectional view thereof taken on line 3—3 of FIG. 2.

FIG. 4 is a rear elevational view thereof.



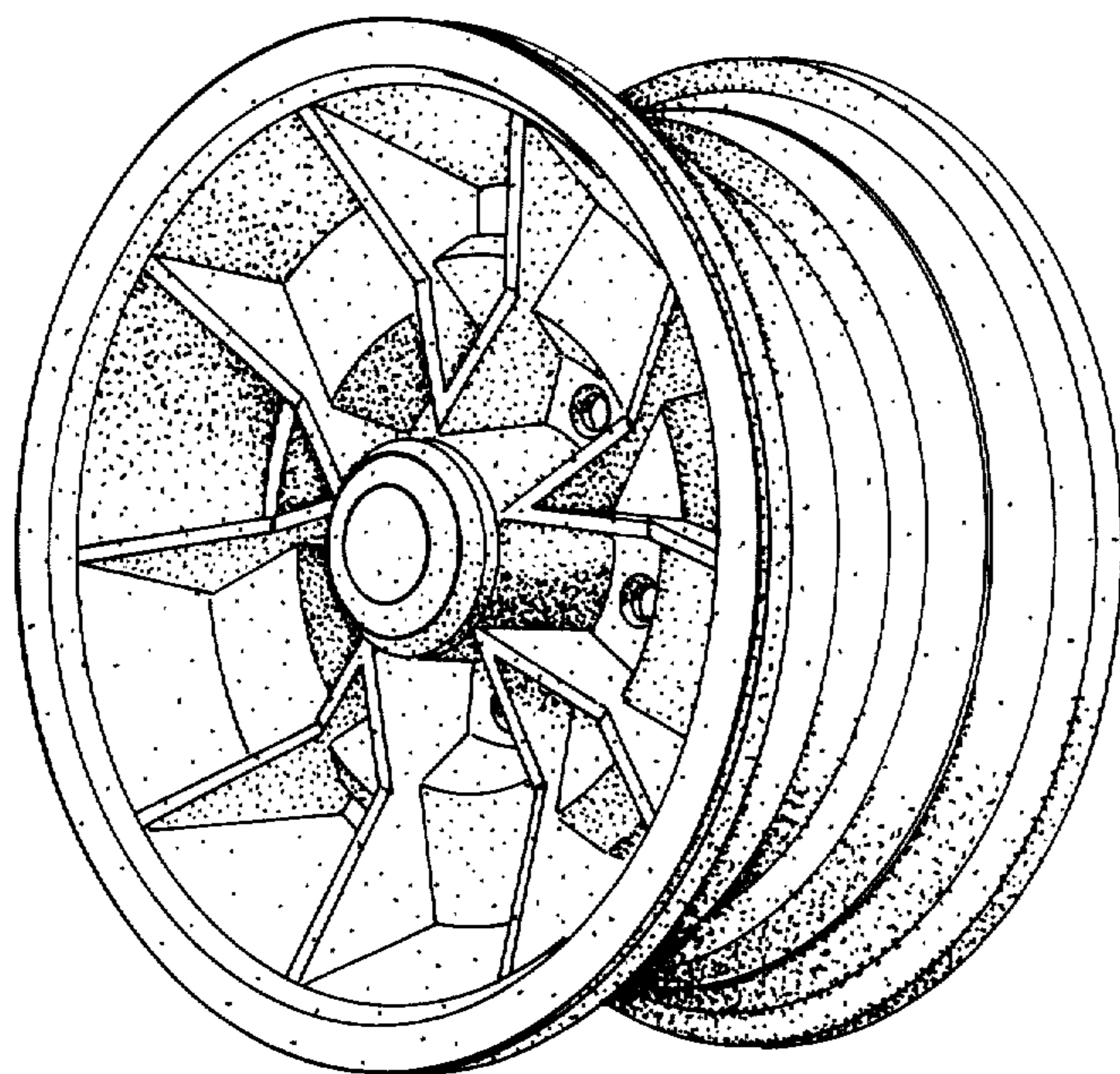
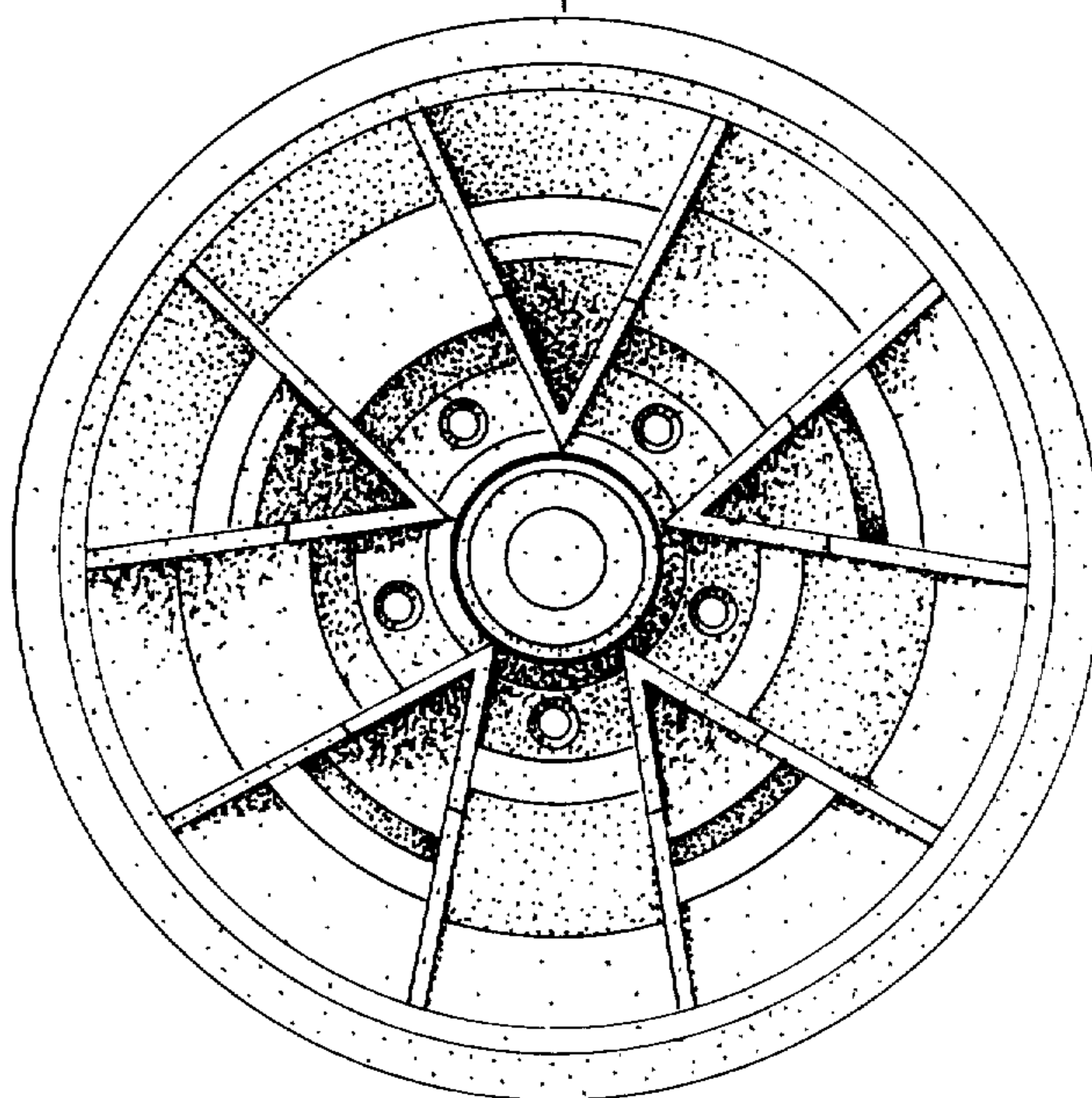


FIG. 1

3 ←

FIG. 2



3 ←

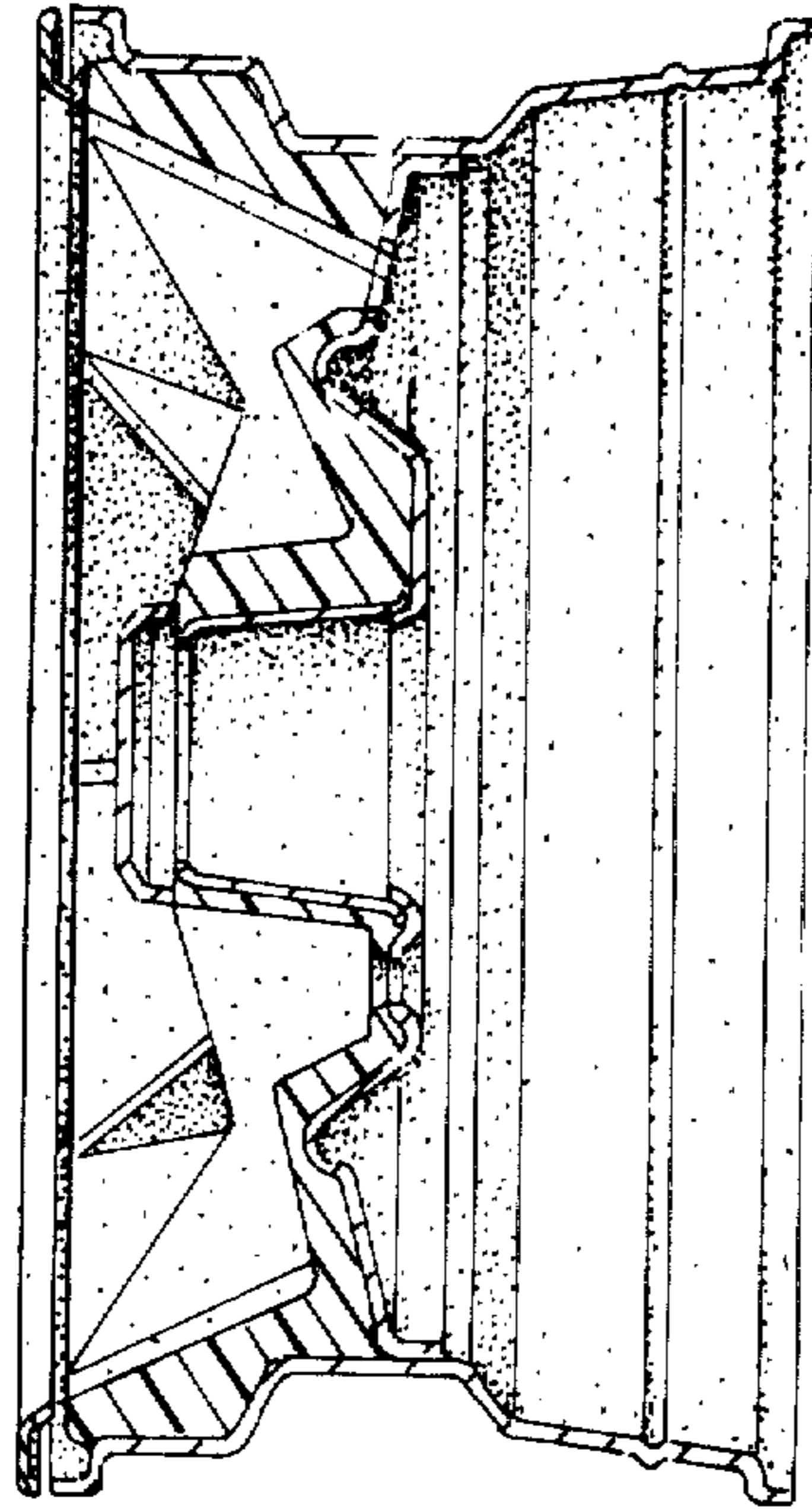


FIG. 3

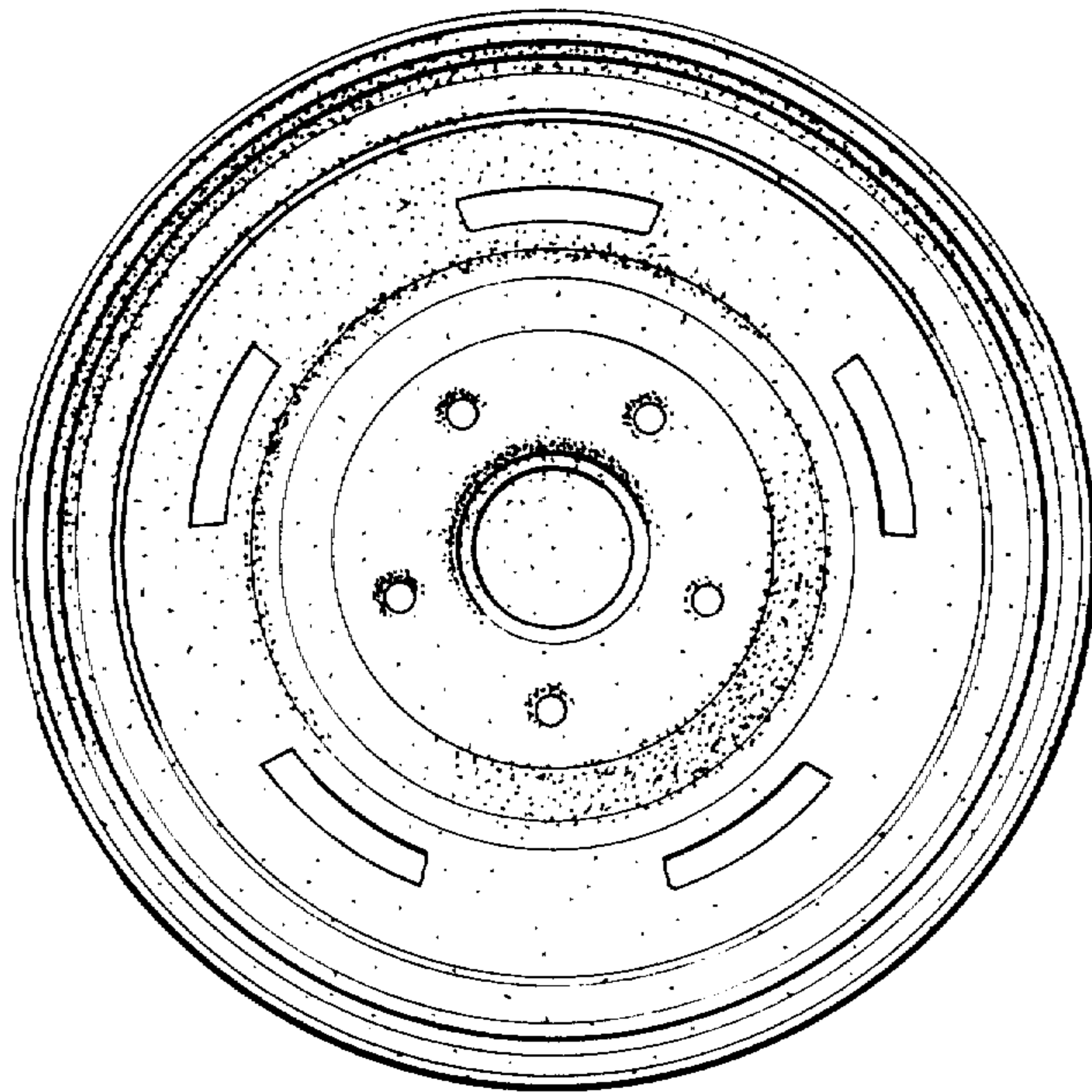


FIG. 4