

[54] GROUND STAKE

[76] Inventor: Edward E. Anderson, 9323 Bennett Lake Rd., Fenton, Mich. 48430

[**] Term: 14 Years

[21] Appl. No.: 963,350

[22] Filed: Nov. 24, 1978

[51] Int. Cl. D11-05

[52] U.S. Cl. D11/181; D21/255

[58] Field of Search D11/181-183; D21/254, 255; 116/173; 135/15 PE

[56] References Cited

U.S. PATENT DOCUMENTS

3,023,725 3/1962 Boyd 116/173 X
3,431,924 3/1969 Simpson 135/15 PE

Primary Examiner—Louis S. Zarfes
Attorney, Agent, or Firm—Arnold S. Weintraub

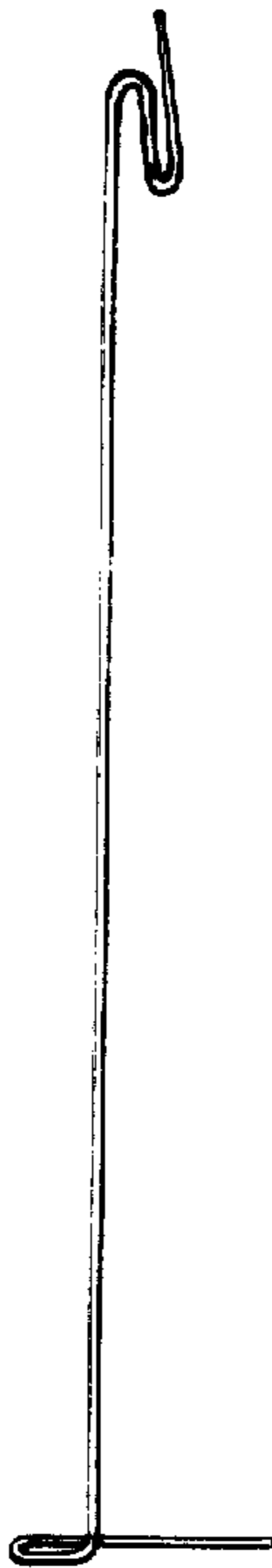
[57] CLAIM

The ornamental design for a ground stake, as shown and described.

DESCRIPTION

FIG. 1 is a side elevational view of a ground stake showing my new design;

FIG. 2 is a perspective view thereof, the broken line depiction of flag and hardware being for illustrative purposes only.



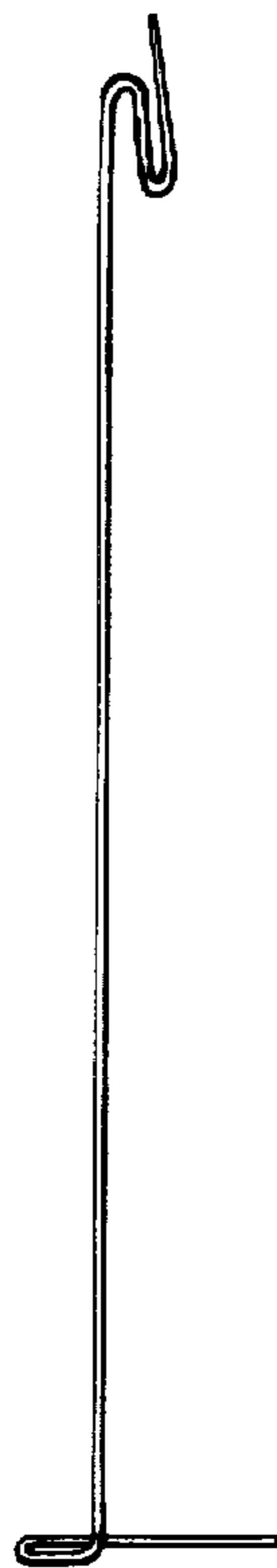


FIG-1

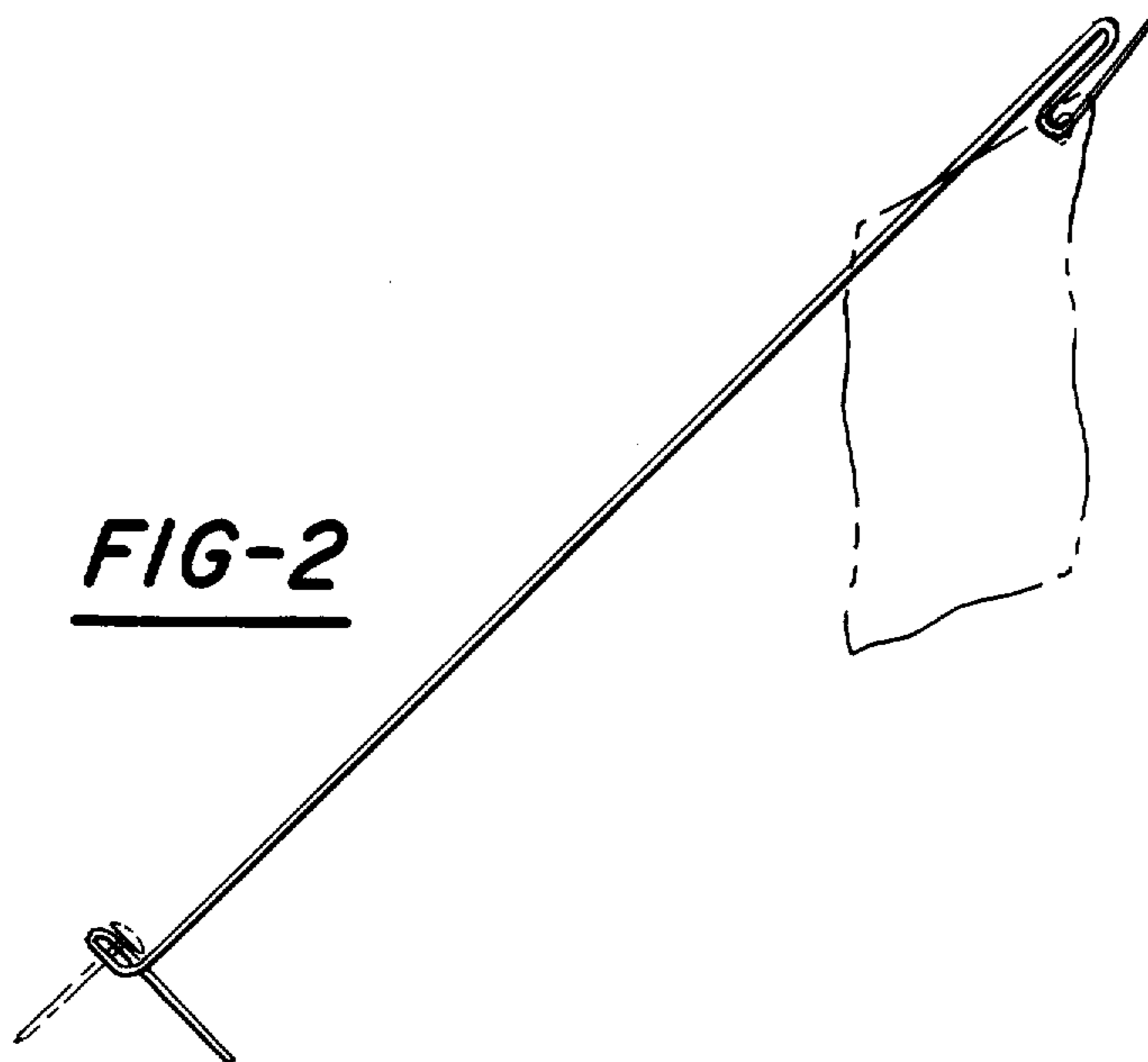


FIG-2