

[54] CONTAINER FOR SOIL-FREE PLANT GROWTH MEDIUM

3,676,953 7/1972 Delogne ..... 47/81

[75] Inventor: Abraham I. Tenzer, Longwood, Fla.

OTHER PUBLICATIONS

Luwasa Plantsystem Brochure, 1/1977, p. 1, Planter.

[73] Assignee: Dart Industries Inc., Los Angeles, Calif.

Primary Examiner—B. J. Bullock

Attorney, Agent, or Firm—Leigh B. Taylor

[\*\*] Term: 14 Years

[57] CLAIM

[21] Appl. No.: 898,370

The ornamental design for a container for soil-free plant growth medium, substantially as shown and described.

[22] Filed: Apr. 21, 1978

DESCRIPTION

[51] Int. Cl. .... D11-02

[52] U.S. Cl. .... D11/143

[58] Field of Search ..... D11/143-149, D11/151-156, 164; 47/66-69, 71, 72, 79-83, 85-87; 206/423

FIG. 1 is a reduced perspective view of a container for soil-free plant growth medium showing my new design;

FIG. 2 is a front elevational view thereof;

FIG. 3 is a rear elevational view looking thereof;

FIG. 4 is a side elevational view looking from the left of FIG. 1;

FIG. 5 is a side elevational view looking from the right of FIG. 1;

FIG. 6 is a bottom plan view thereof;

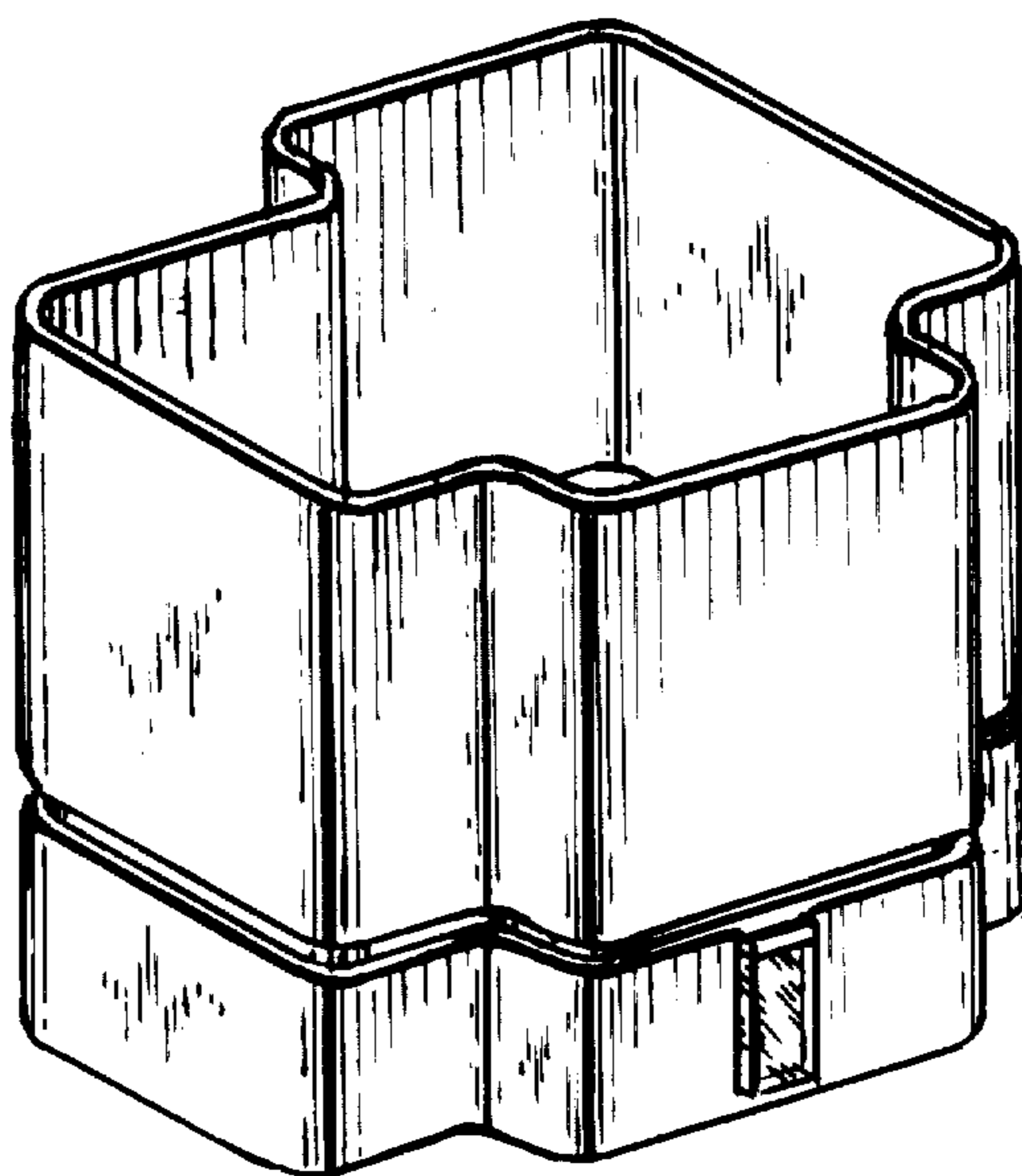
FIG. 7 is a top plan view thereof;

FIG. 8 is a sectional view taken in the direction of the arrows on line 8-8 of FIG. 7.

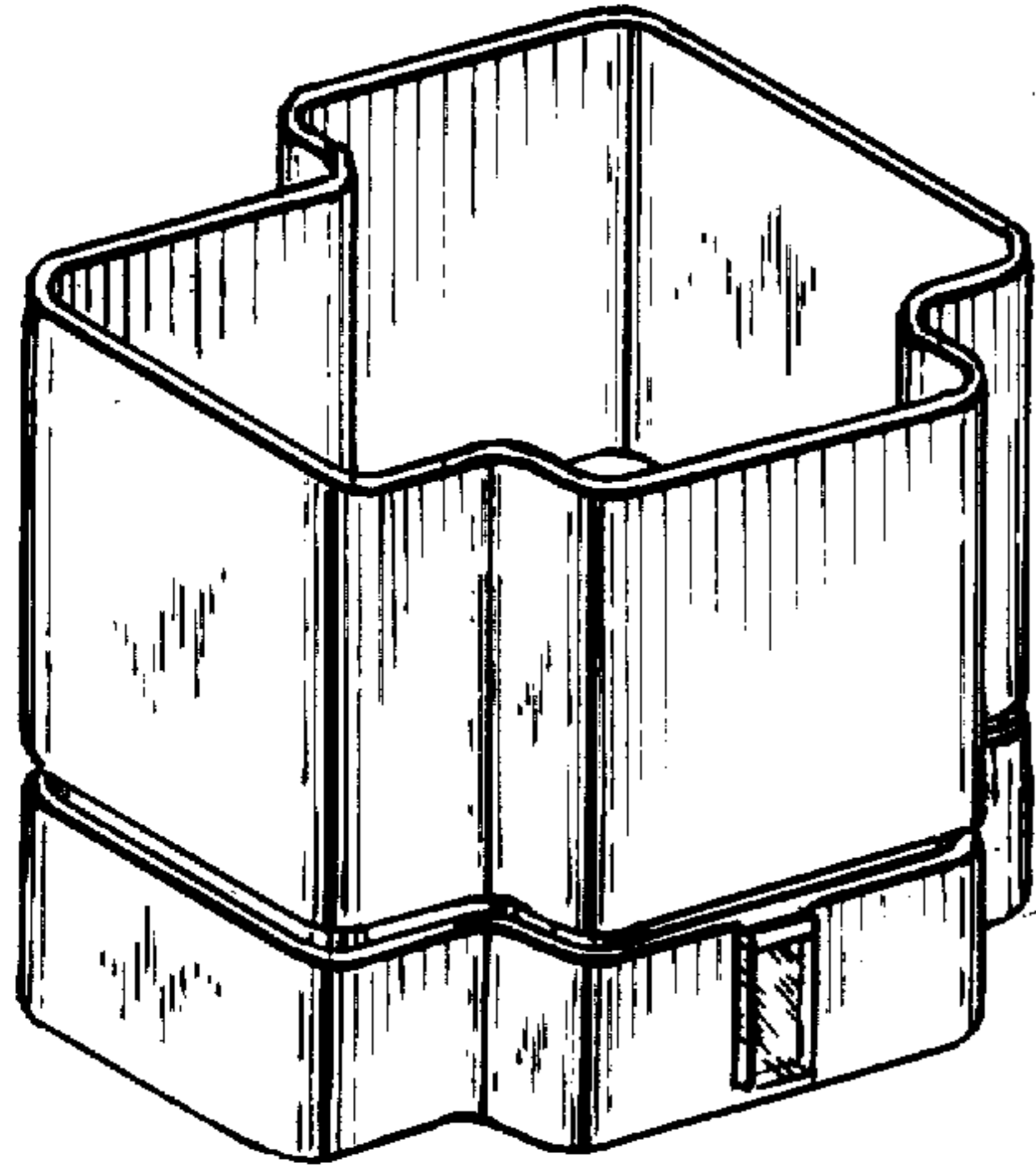
[56] References Cited

U.S. PATENT DOCUMENTS

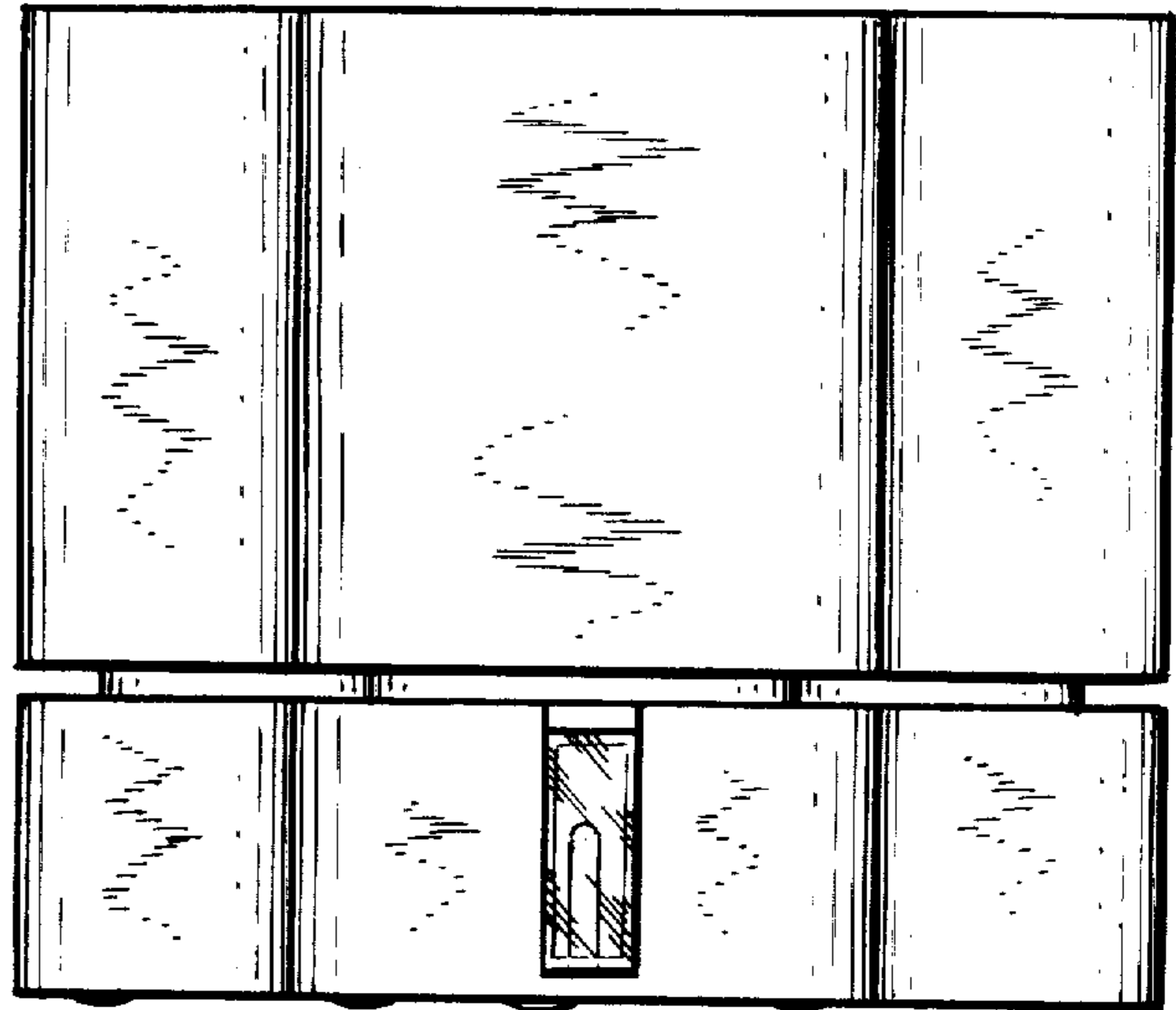
- D. 238,088 12/1975 Grosfillex ..... D11/155
- D. 245,408 8/1977 Baumann et al. .... D11/155
- D. 252,869 9/1979 Dziewulski ..... D11/155
- 2,799,972 7/1959 Teixeira ..... 47/66



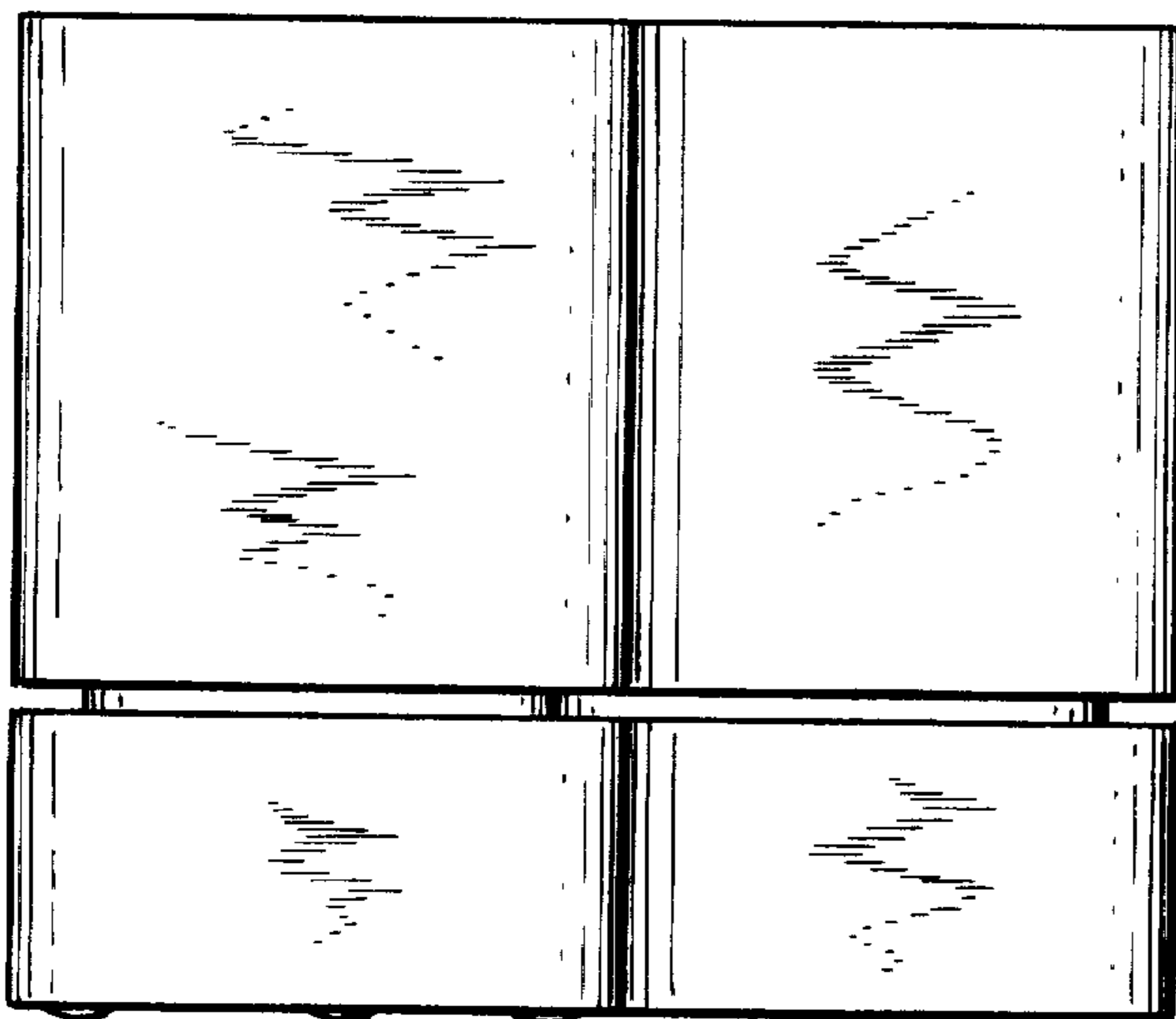
**FIG. 1.**



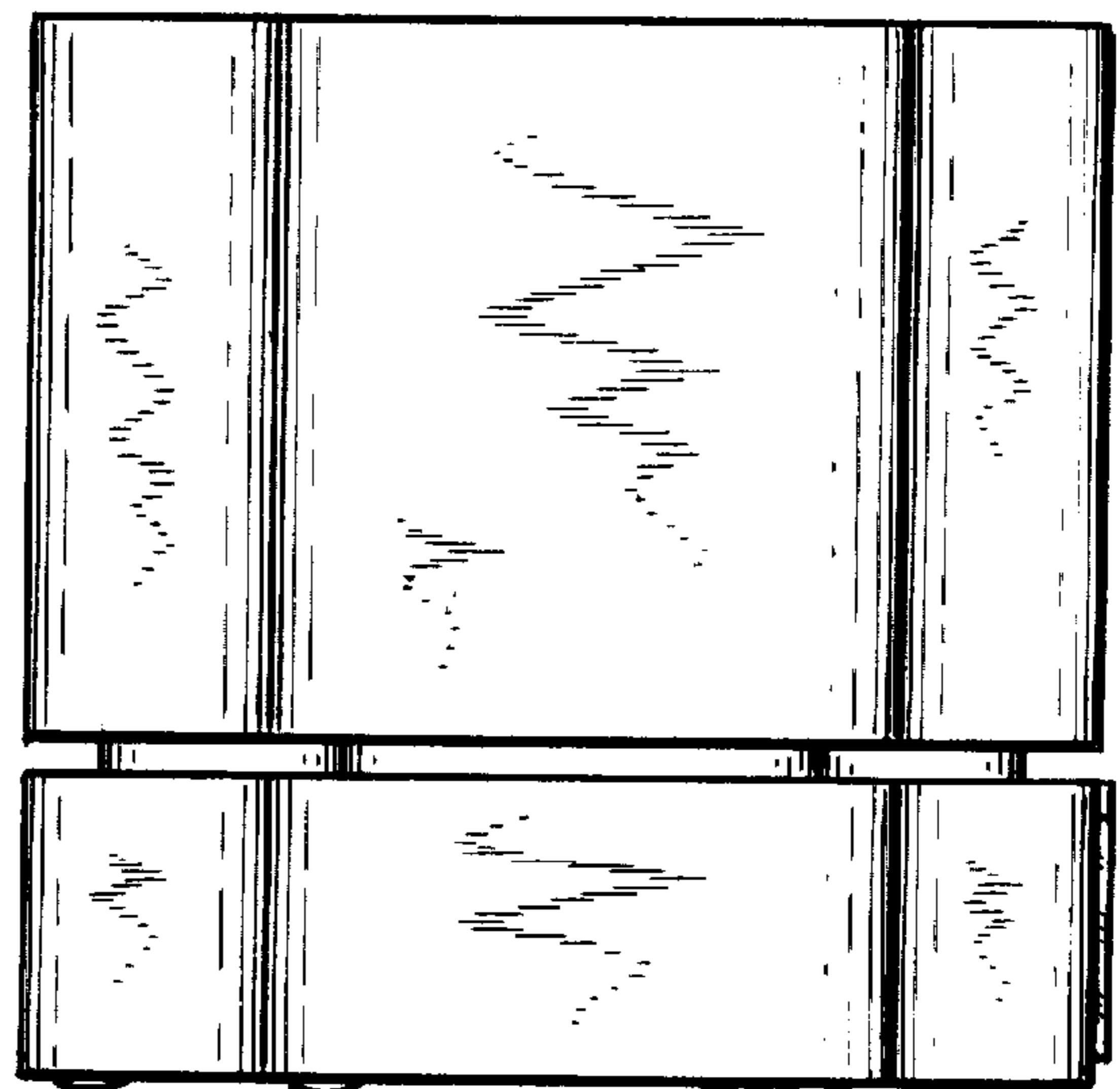
**FIG. 2.**



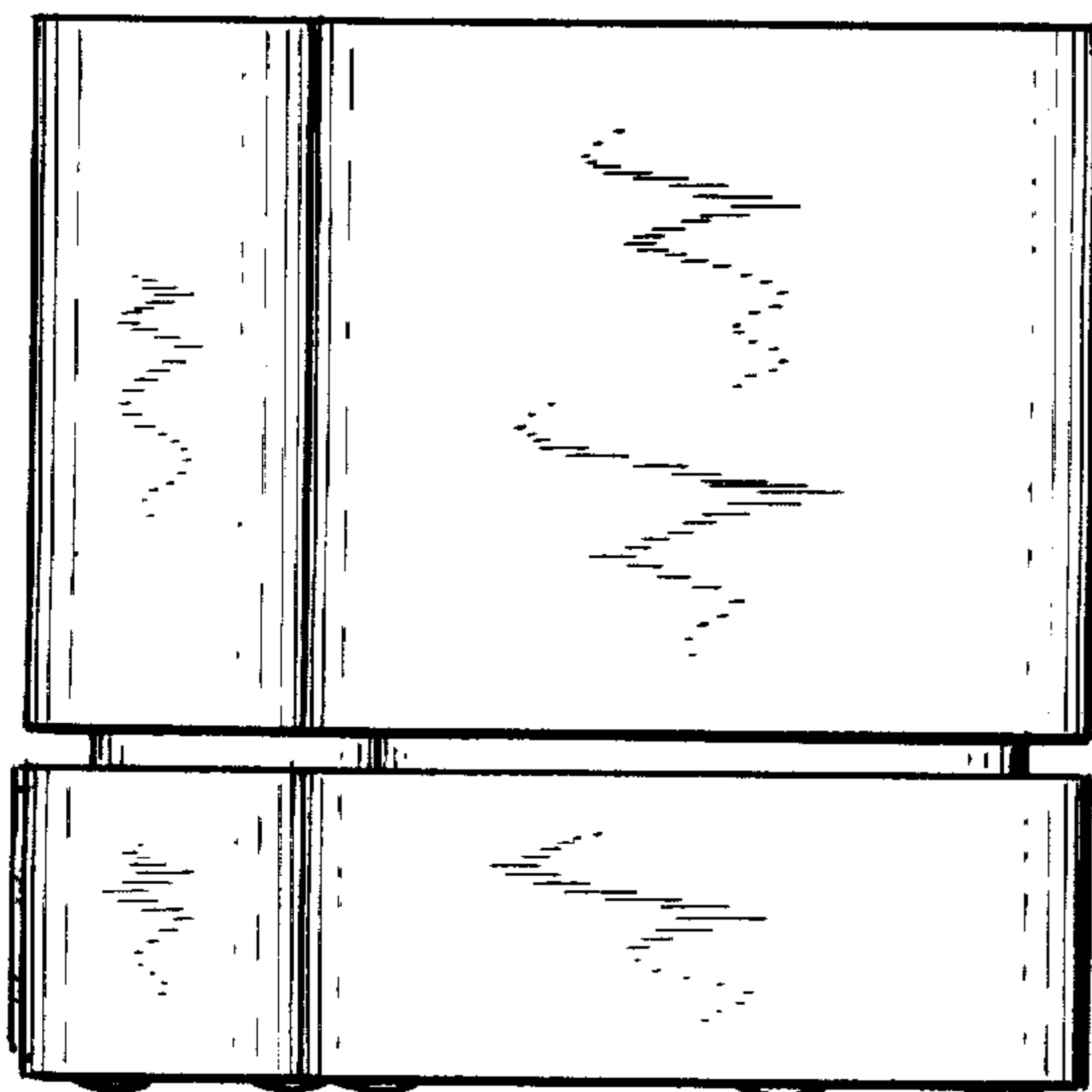
**FIG. 3.**



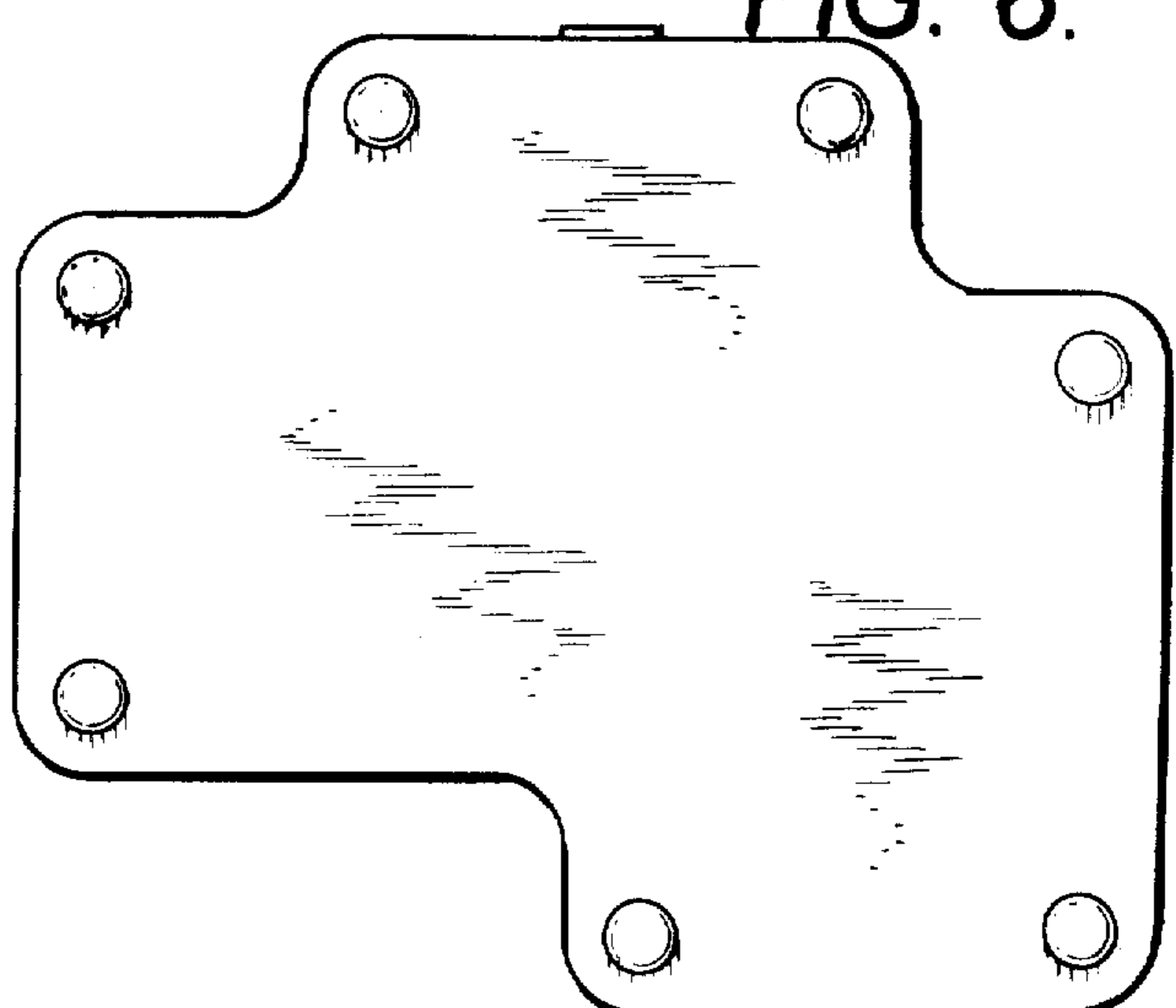
**FIG. 4.**



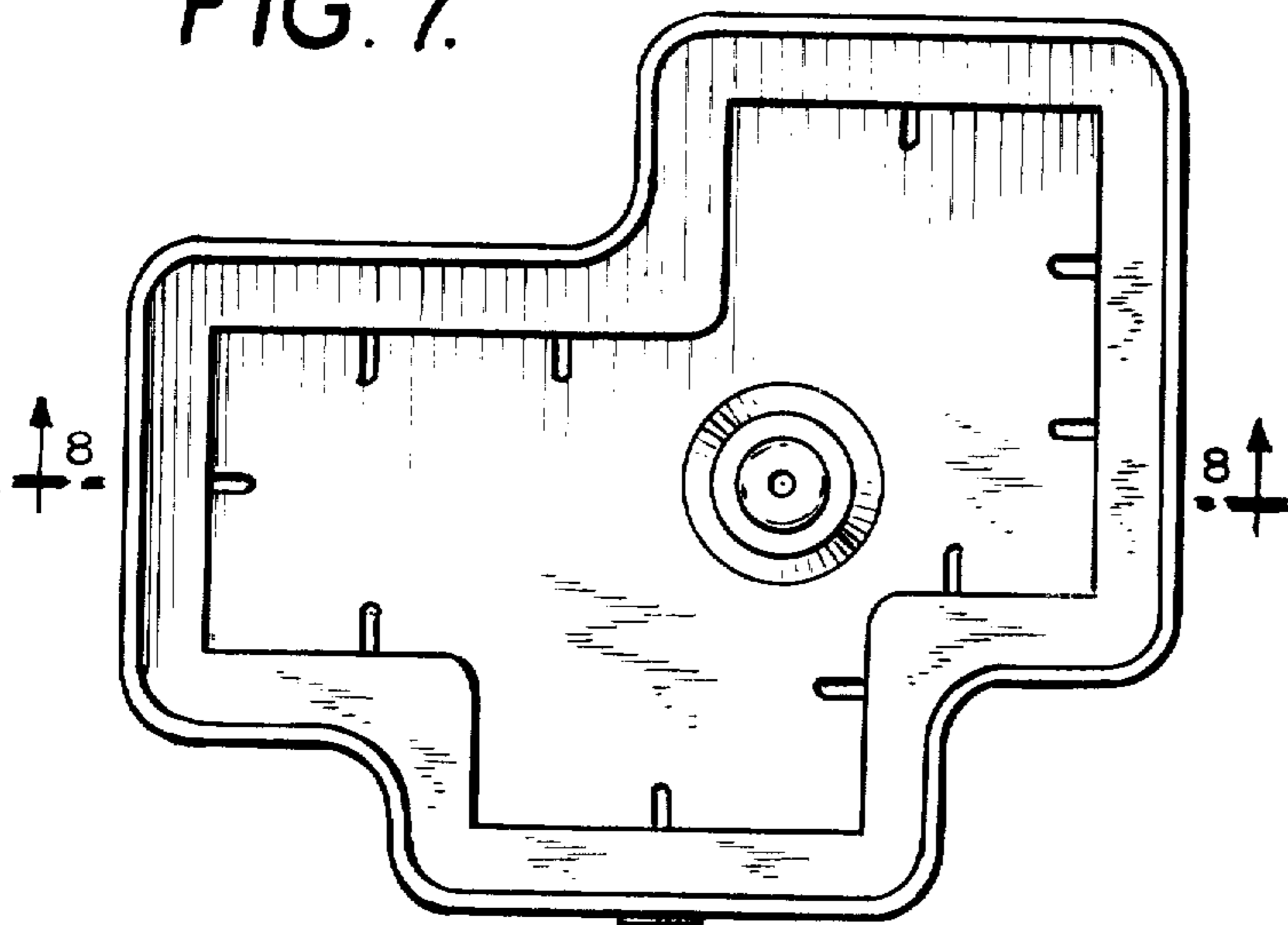
**FIG. 5.**



**FIG. 6.**



**FIG. 7.**



**FIG. 8.**

