

[54] NOVELTY STATUETTE

[76] Inventor: William R. Marchand, 3319 Shore Ave., Everett, Wash. 98203

[**] Term: 14 Years

[21] Appl. No.: 79,818

[22] Filed: Sep. 28, 1979

[51] Int. Cl. D11-02

[52] U.S. Cl. D11/131; D21/52

[58] Field of Search D11/131, 157; D21/52; 428/13

[56] References Cited

U.S. PATENT DOCUMENTS

D. 204,142 3/1966 Kidder D21/52

OTHER PUBLICATIONS

House Beautiful, 9/1959, p. 64-Scandinavian Pawn at top left.

Lowe Co. Supplement No. 12, 7/1946, p. 2-"The Master" Bishop at bottom left.

Gifts & Decorative Accessories, 1/1973, p. 163-Crystal Pawn at top right.

Primary Examiner-Louis S. Zarfes

Attorney, Agent, or Firm-Cole, Jensen & Puntigam

[57] CLAIM

The ornamental design for a novelty statuette, substantially as shown and described.

DESCRIPTION

FIG. 1 is a left side elevational view of the novelty statuette showing my new design; and

FIG. 2 is a front elevational view thereof; and

FIG. 3 is a perspective view taken from the right rear side thereof; and

FIG. 4 is a top plan view thereof; and

FIG. 5 is a bottom plan view of the novelty statuette showing my new design.

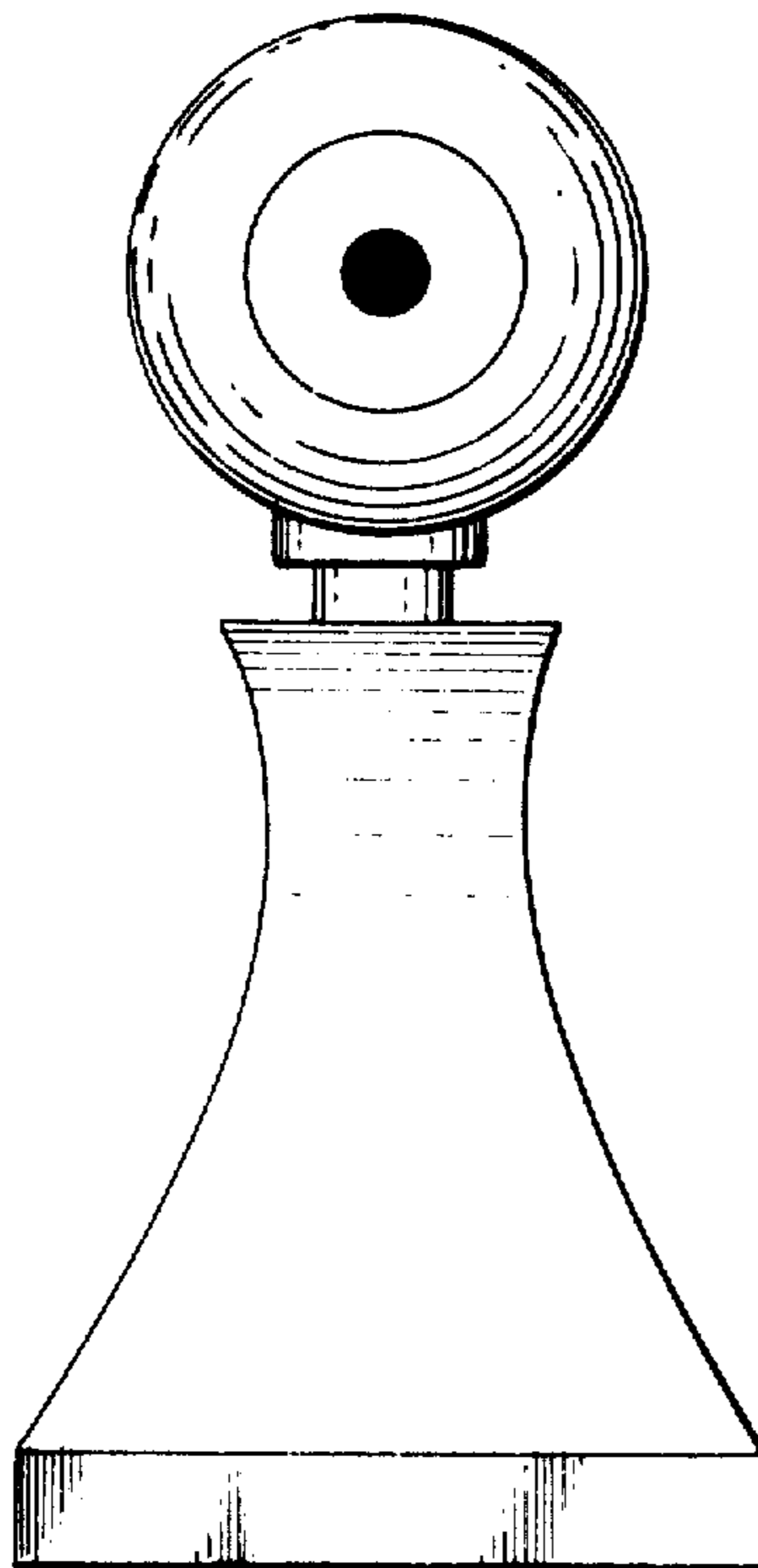


FIG. 1

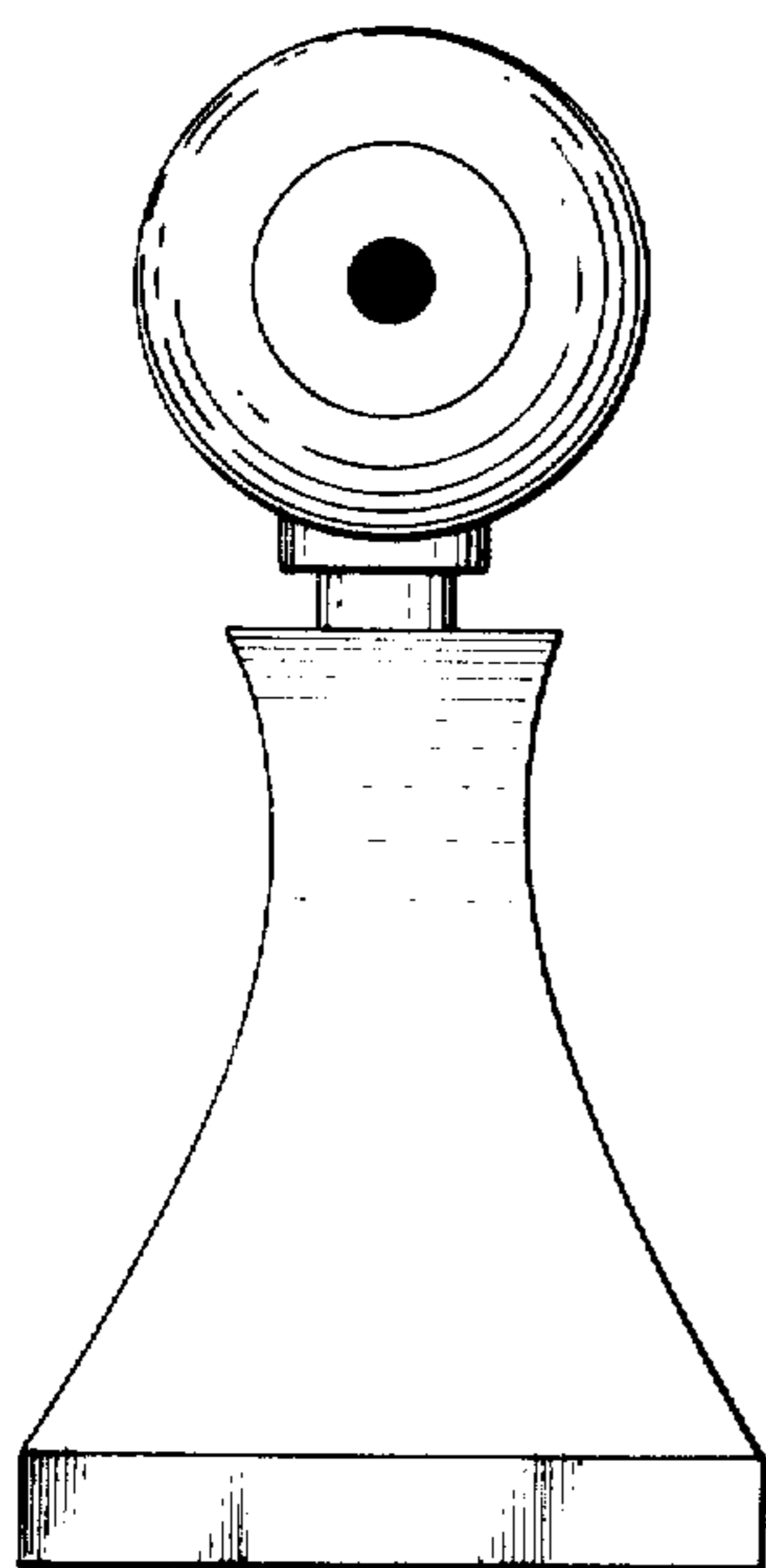


FIG. 3

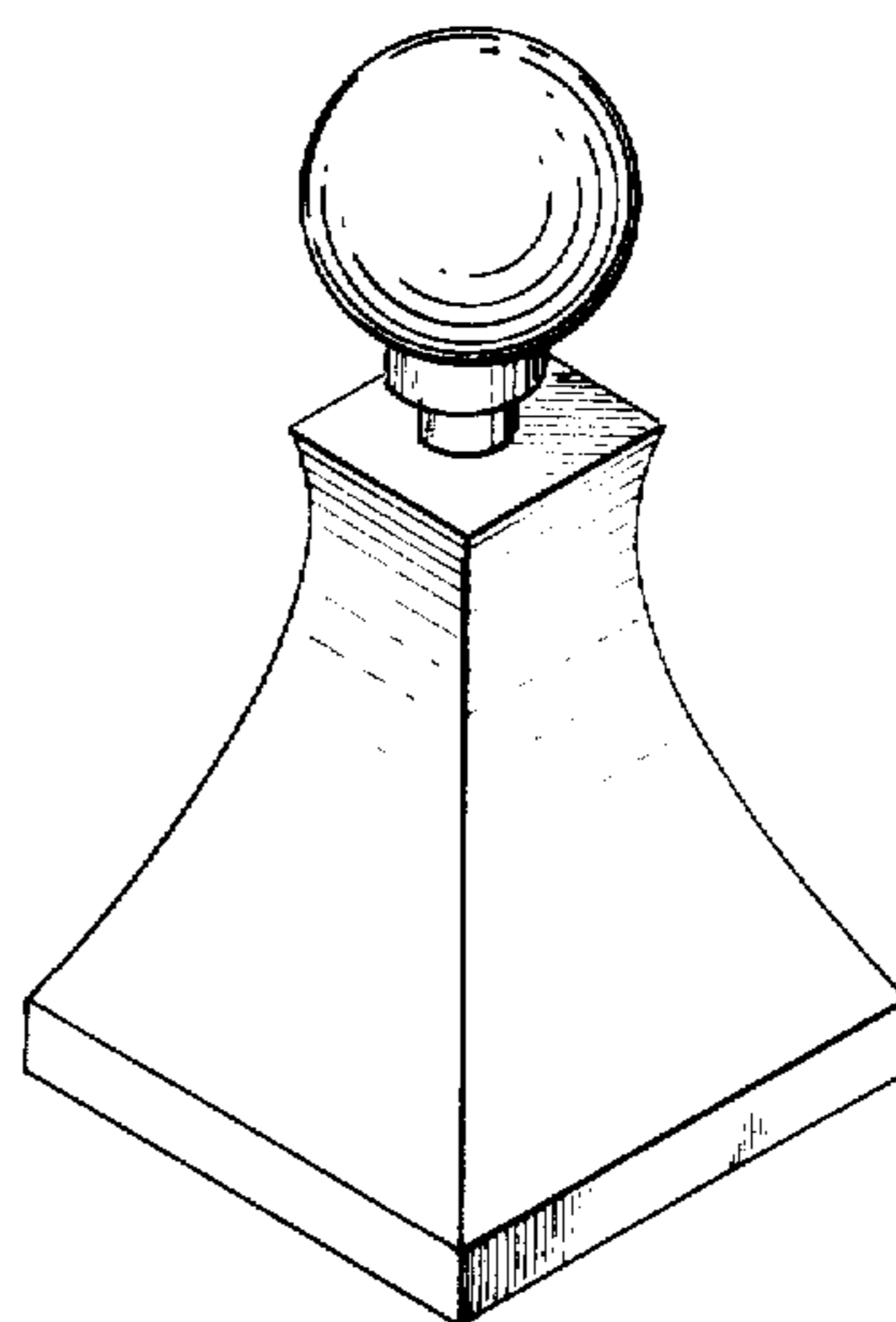


FIG. 2

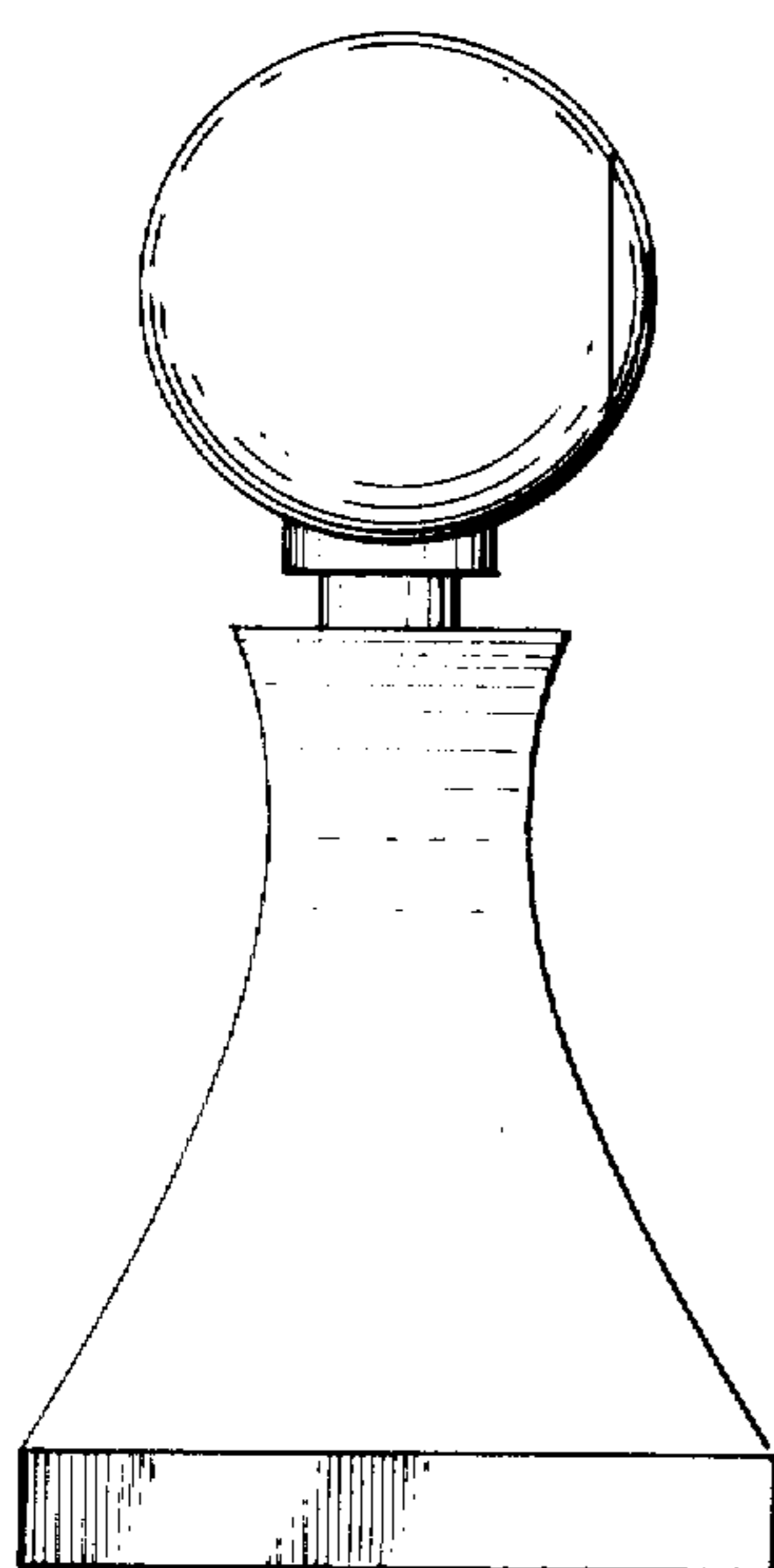


FIG. 4

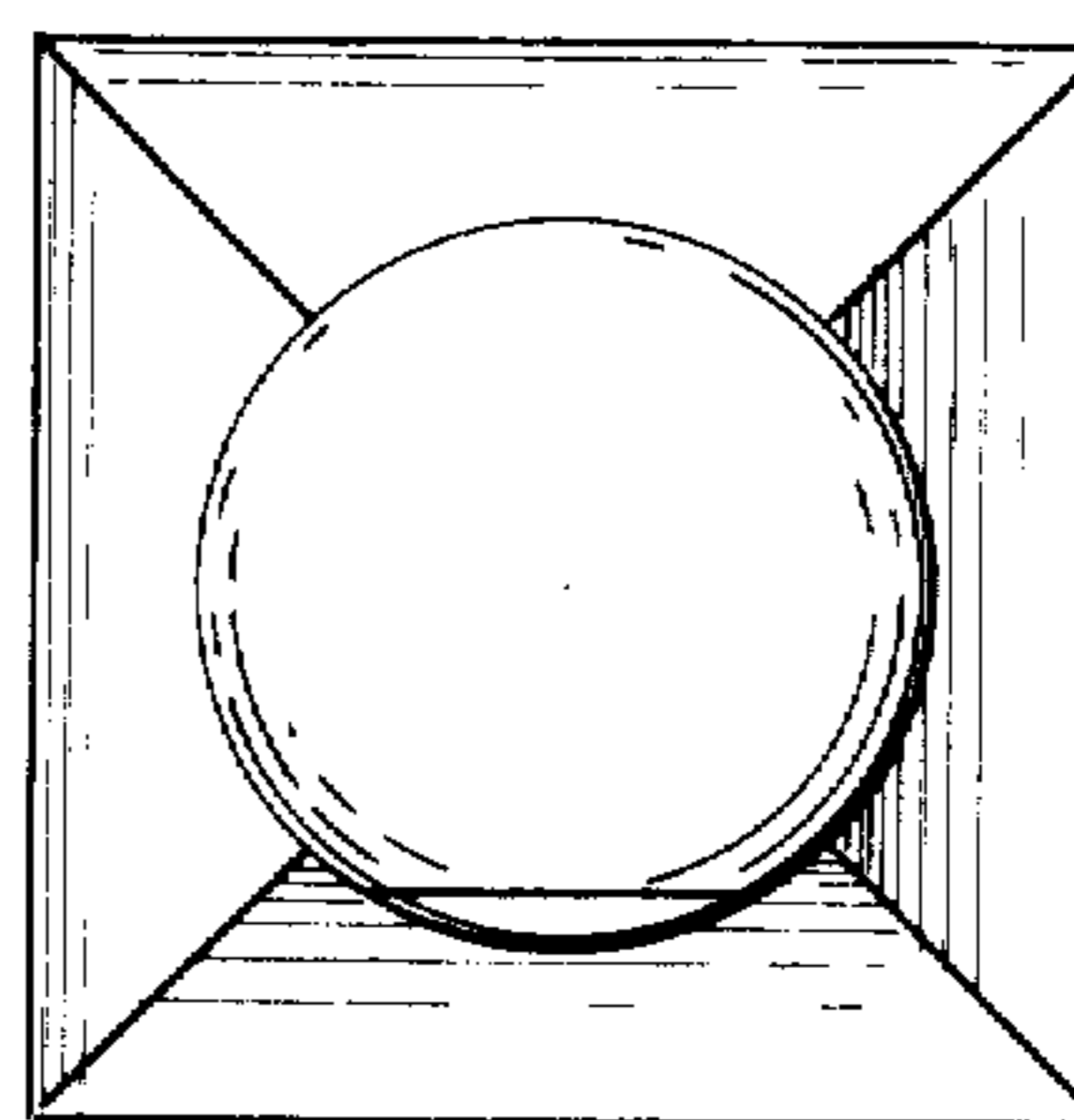


FIG. 5

